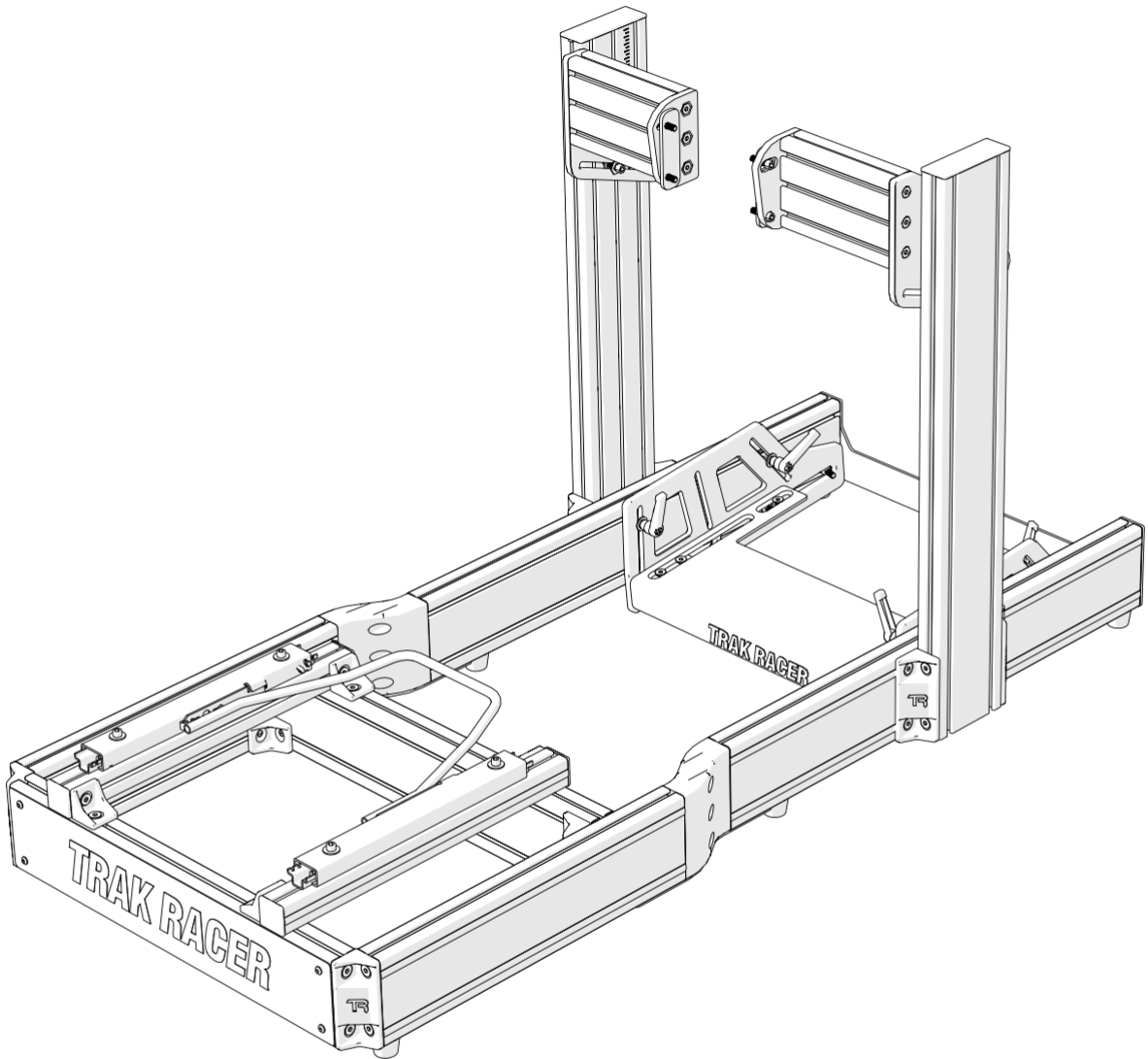


# TR120S V2 Simulator

## Assembly Guide



**IMPORTANT:** Different regions may have different models. Please ensure the part number below matches that on your product's box.

**TR120S V2**



**TRAK RACER**

Published 2024-9-10

# TABLE OF CONTENTS

3 Symbol Legend

---

4 Part List

---

6 Assembly Notes

---

9 TR160S V2 Assembly Instructions

16 Pedal Option 1

21 Pedal Option 2

27 Pedal Option 3

31 Wheel Mount Option 1

35 Wheel Mount Option 2

39 Wheel Mount Option 3

43 Shifter Option 1 (Shortshift)

48 Shifter Option 2 (TR120-SMEX)

54 Stabilizing Feet Option

56 Adjustable Recliner Seat Bracket (TR-RSB4)

60 Non-Adjustable Recliner Seat Bracket (TR-RSB-CH)

63 GT/Rally Seat Assembly (SA09 / SA10)

65 GT/Rally Seat Assembly (SA11 / SA12 / SA13)

68 TRX Seat Assembly with Adjustable Bracket (TRX-SB)



**IMPORTANT:** Since there are different versions of each product based on your region, please make sure you are using the correct set of instructions. The part number below should match the one on your box.



**IMPORTANT:** Due to the nature of cut aluminum profiles, some metal shavings may remain despite our thorough QA cleaning process. We recommend opening boxes and packaging on a hard surface.



**NOTE:** Some screws and washers may be pre-installed. These are included in the parts list and will need to be loosened and reattached according to the instructions.



Recommended: Two people for the task



Tighten the hardware



Keep the hardware loose for adjustments



Make the necessary adjustments



Break the tab off the corner bracket



Safety glasses required



Attention/Priority needed

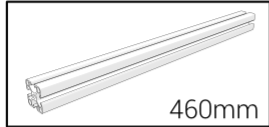


Reserve for the next step



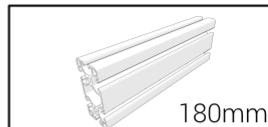
Mirrored components (same on both sides)

# PART LISTS



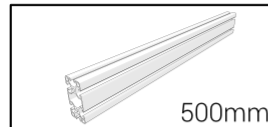
Aluminum Profile

TR-8040-460 x2



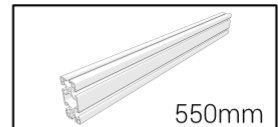
Aluminum Profile

TR-8120-180 x2



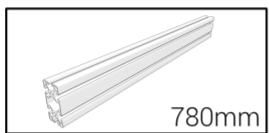
Aluminum Profile

TR-8120-500 x2



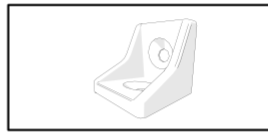
Aluminum Profile

TR-8120-550 x2



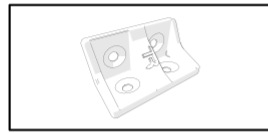
Aluminum Profile

TR-8120-780 x2



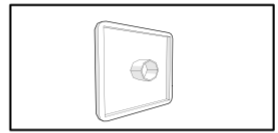
Corner Bracket, 40x40

BC-40 x8



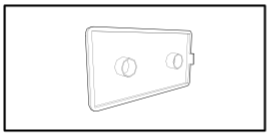
Corner Bracket, 40x120

BC-120 x6



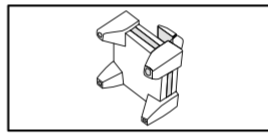
End Cap, 40x40

EC-40 x4



End Cap, 40x120

EC-120 x2



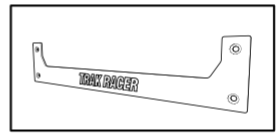
Cable Management Clip

CMC x6



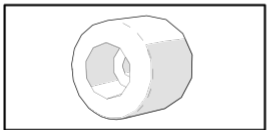
Rear Logo Plate

RLP x1



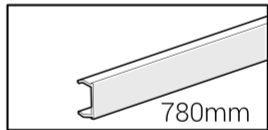
Front Logo Plate

FLP x1



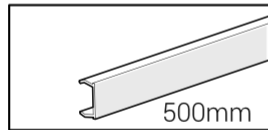
Rubber Feet

FR-01 x6



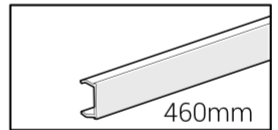
Red Profile Strip

PS-780-R x4



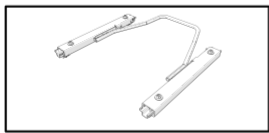
Red Profile Strip

PS-500-R x4



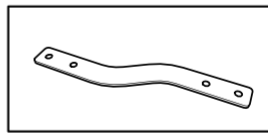
Red Profile Strip

PS-460-R x2



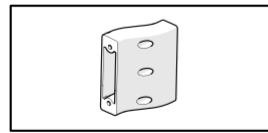
Seat Slider

SS-01 x1



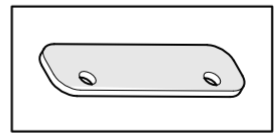
Middle Connector Plate

MC-S x2



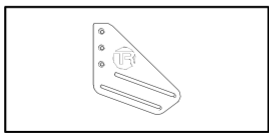
Middle Connector Part

BCH x2



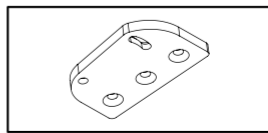
Wheel Mount N

WM-TR1-FN x2



Wheel Mount Plate

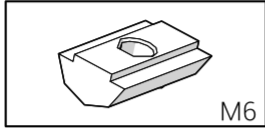
WM-TR1-PP x1



Wheel Side Plate

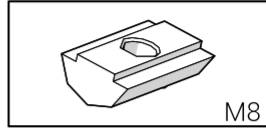
WM-TR1-WP x2

# PART LISTS



Ball Bearing Nut, M6

NS-M6 **x4**



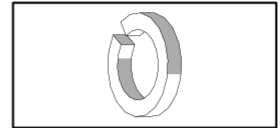
Ball Bearing Nut, M8

NS-M8 **x52**



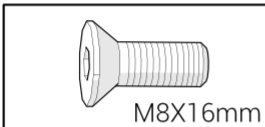
Washer (Flat)

WF-M8-20 **x4**



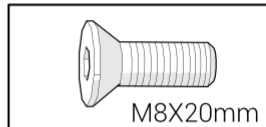
Washer (Lock), M8

WL-M8 **x8**



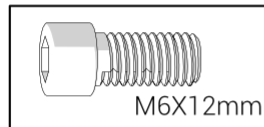
Screw (Flat)

SF-M8-16 **x40**



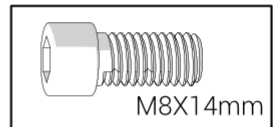
Screw (Flat)

SF-M8-20 **x12**



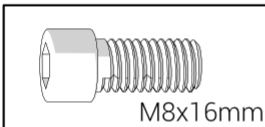
Hex Screw

SH-M6-12 **x4**



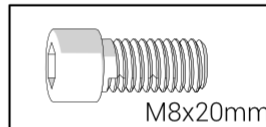
Hex Screw

SH-M8-14 **x4**



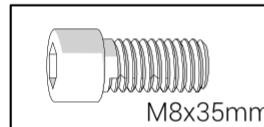
Hex Screw

SH-M8-16 **x4**



Hex Screw

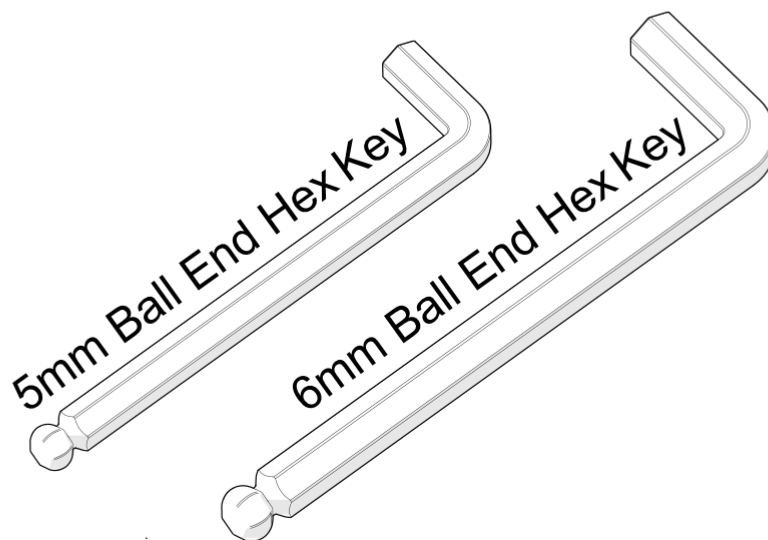
SH-M8-20 **x6**



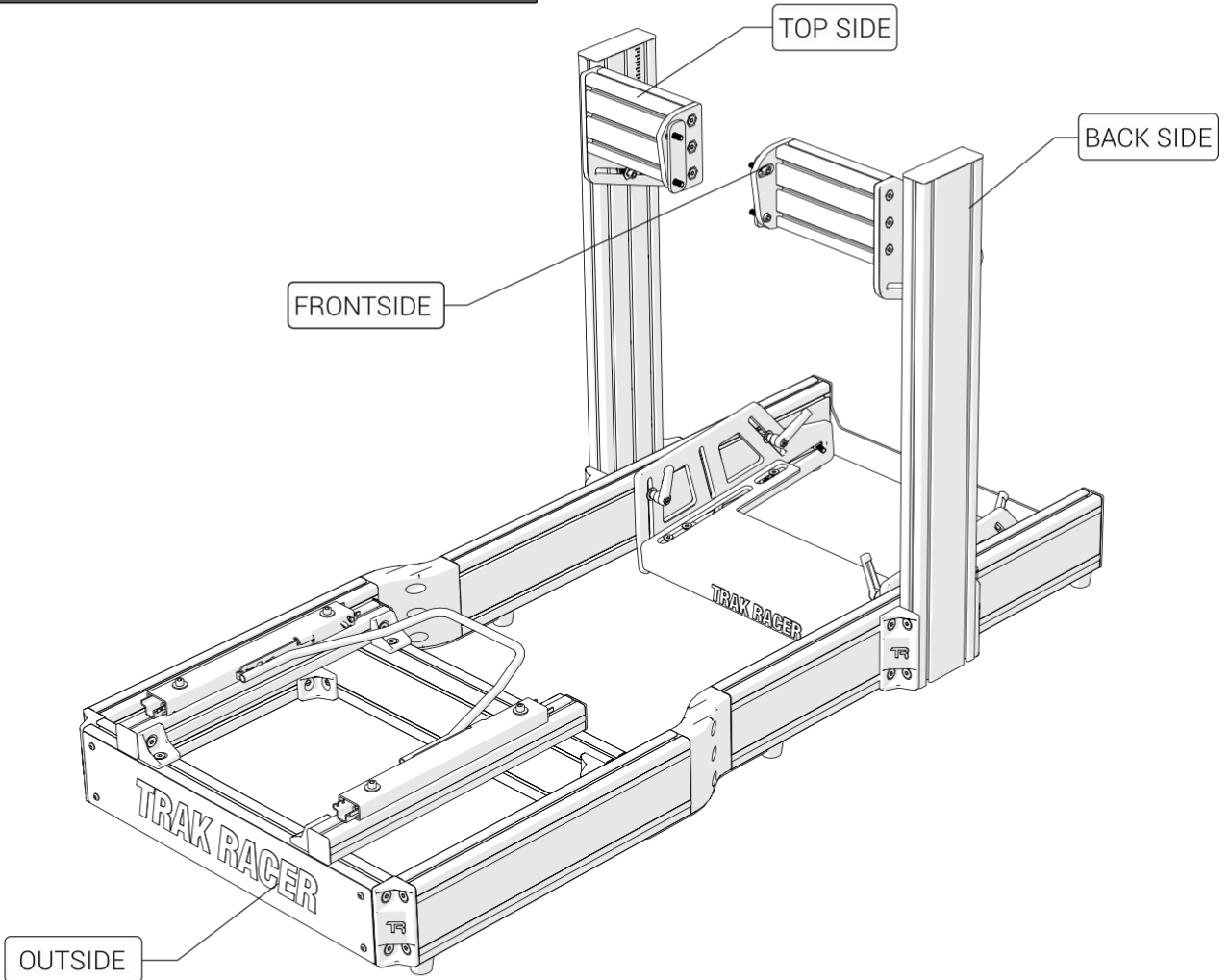
Hex Screw

SH-M8-35 **x8**

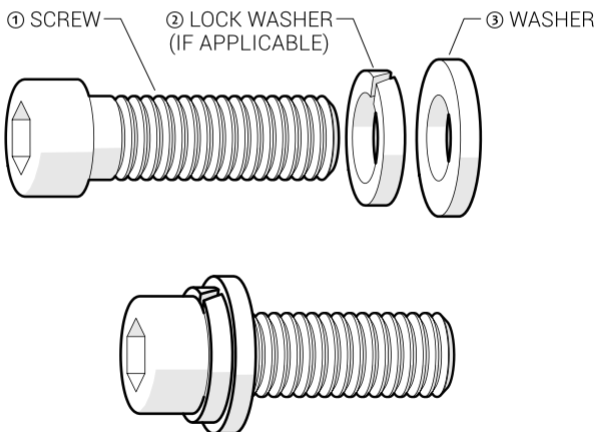
## INCLUDED TOOLS



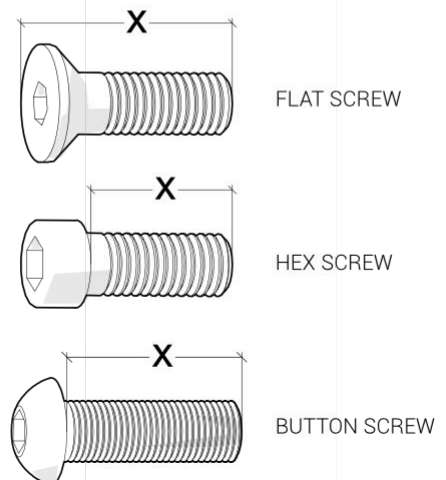
# NOTE



## INSTALLATION ORDER FOR SCREWS & WASHERS

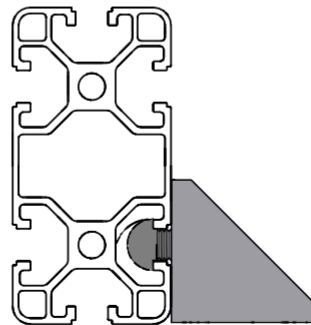
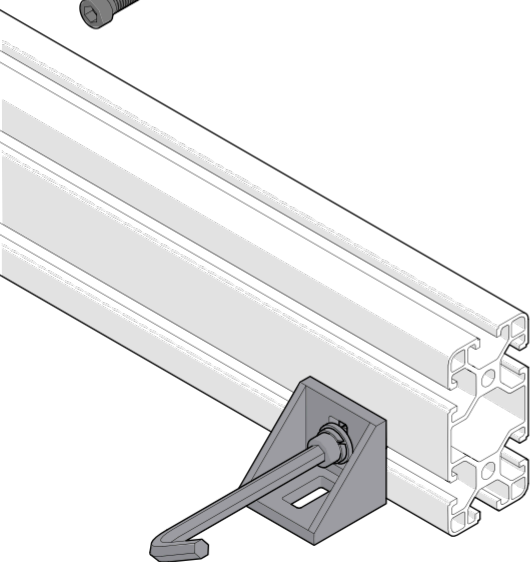
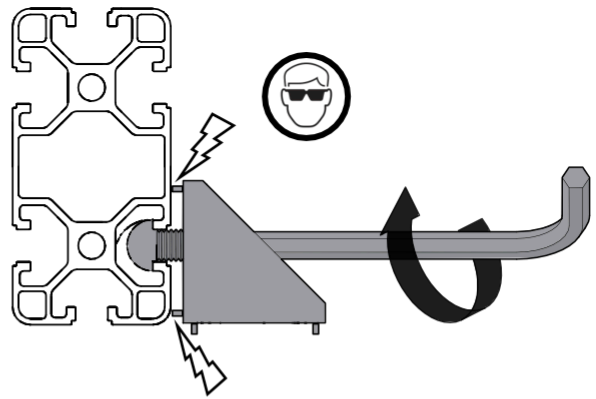
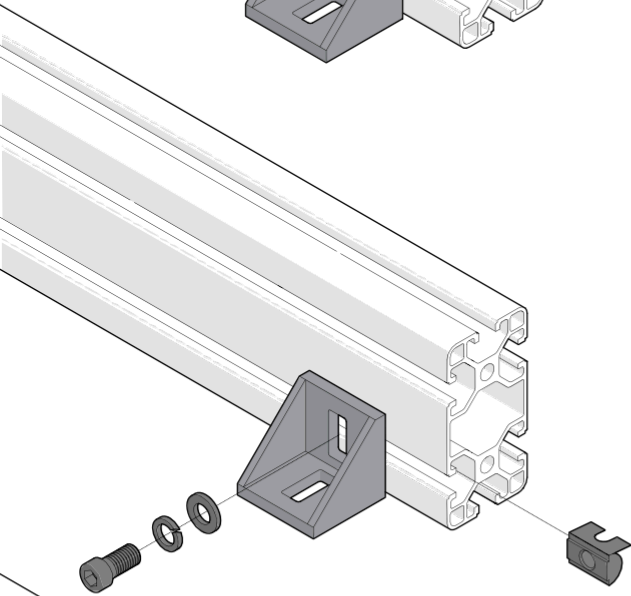
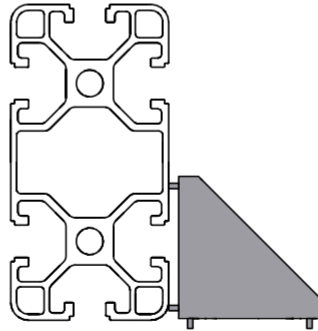
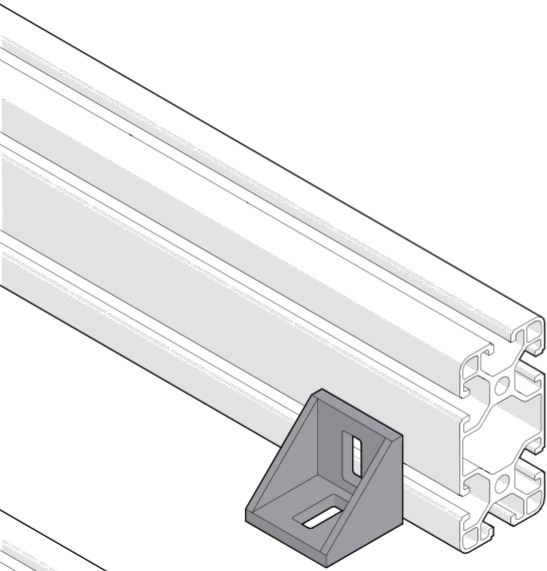


## HOW TO MEASURE SCREWS



# NOTE

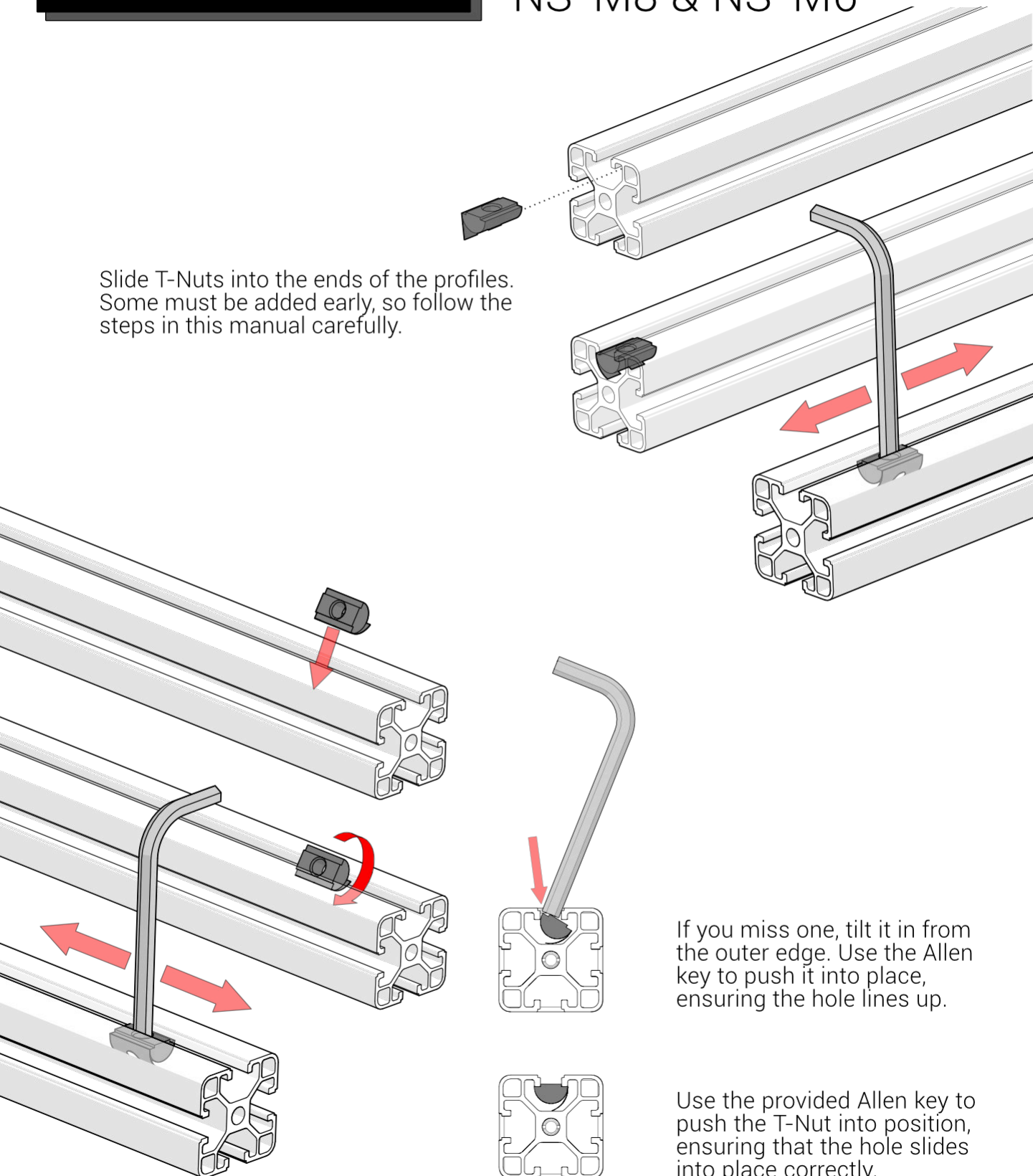
BS-40



# NOTE

## NS-M8 & NS-M6

Slide T-Nuts into the ends of the profiles. Some must be added early, so follow the steps in this manual carefully.

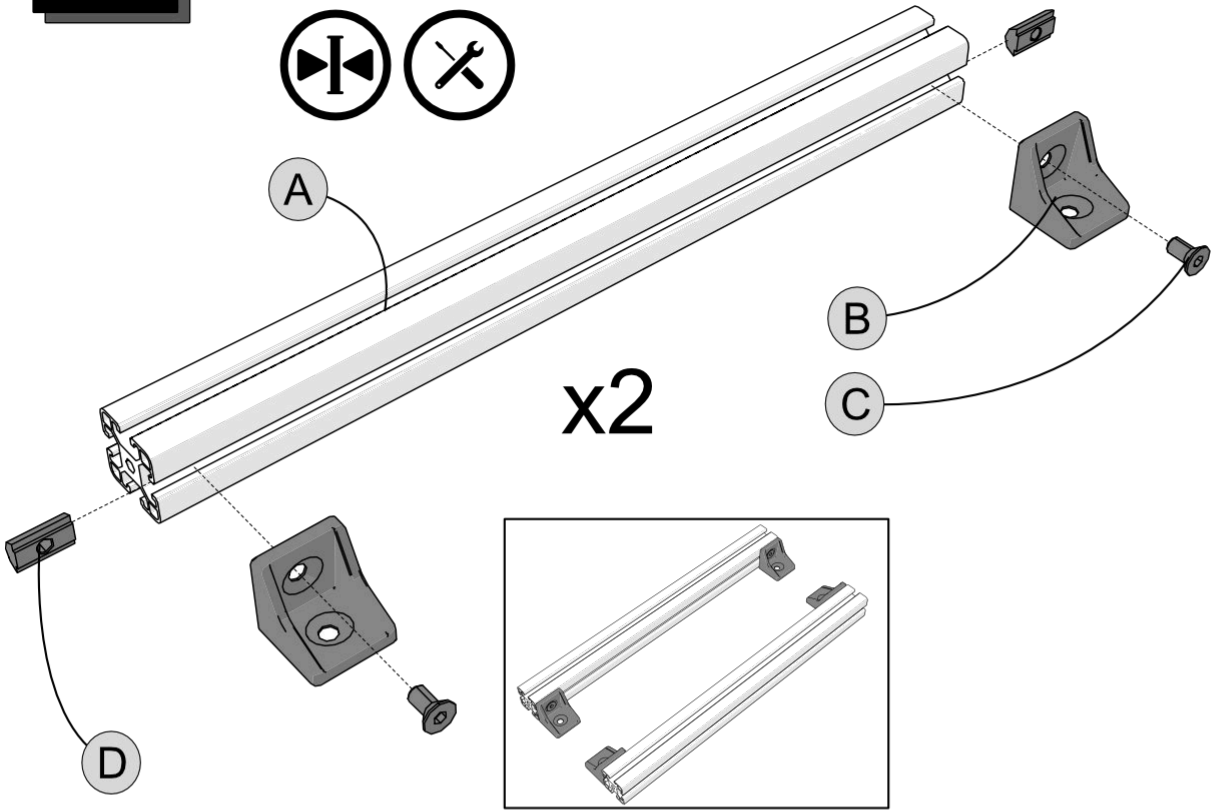
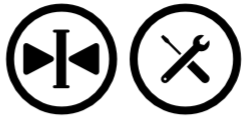


If you miss one, tilt it in from the outer edge. Use the Allen key to push it into place, ensuring the hole lines up.

Use the provided Allen key to push the T-Nut into position, ensuring that the hole slides into place correctly.

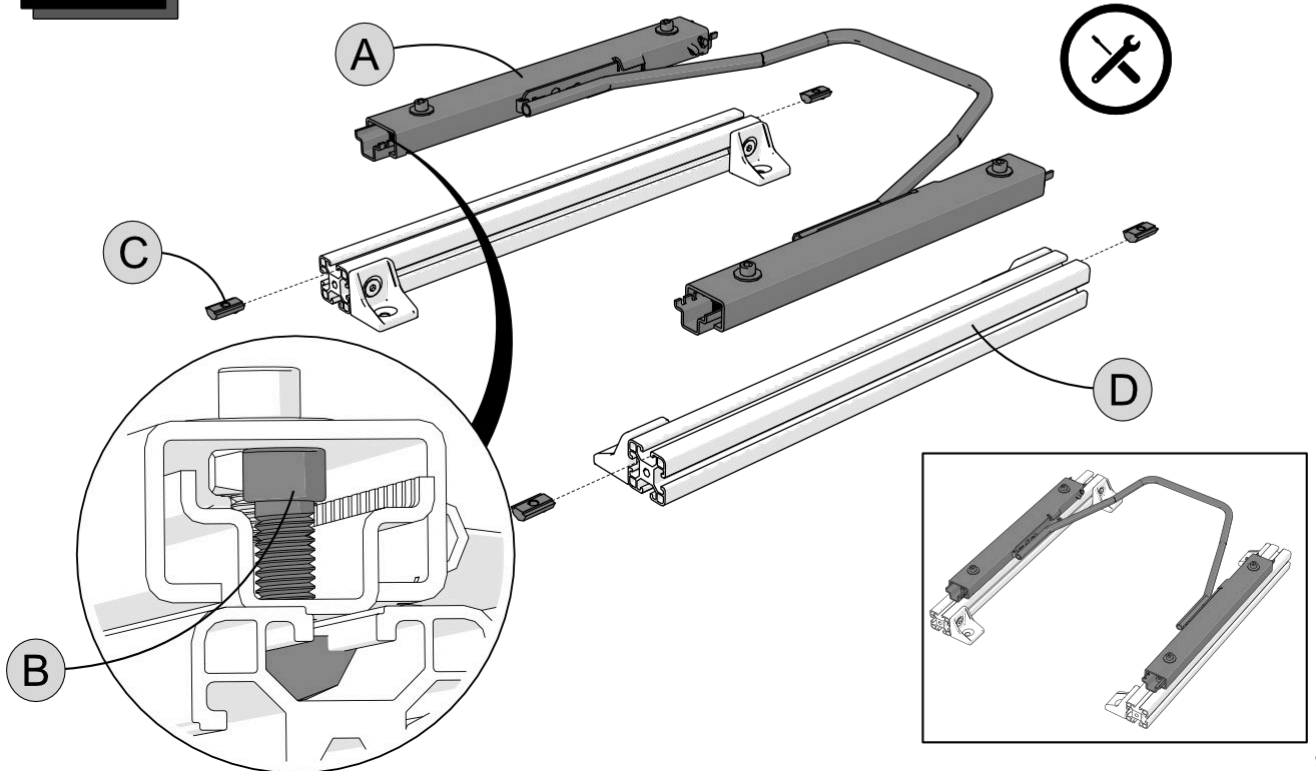
# 1

- A TR-8040-460 460mm x2
- B BC-40 x4
- C SF-M8-16 M8x16mm x4
- D NS-M8 M8 x4



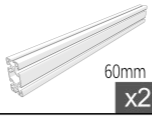
# 2

- A SS-01 x1
- B SH-M8-16 M8x16mm x4
- C NS-M8 M8 x4
- D x1



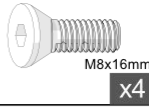
# 3

**A** TR-8120-560



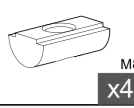
60mm  
x2

**B** SF-M8-16

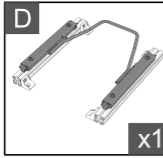


M8x16mm  
x4

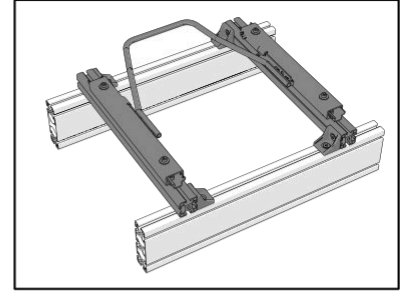
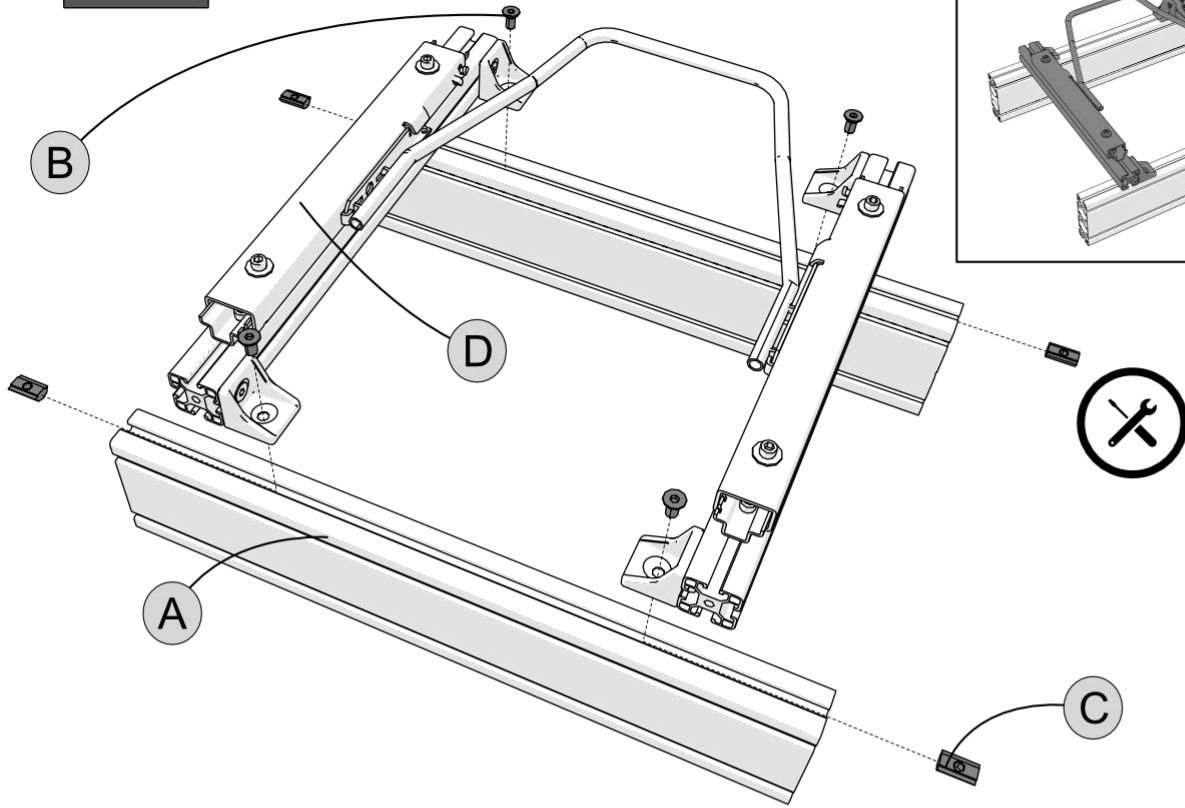
**C** NS-M8



M8  
x4

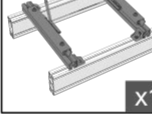


x1



# 4

**A**



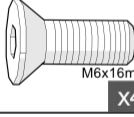
x1

**B** RLP



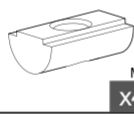
x1

**C** SF-M6-16

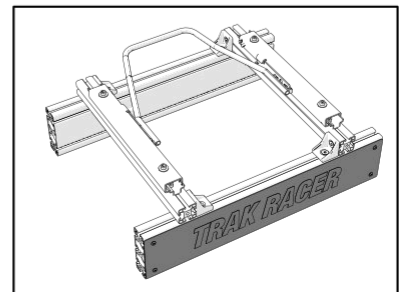
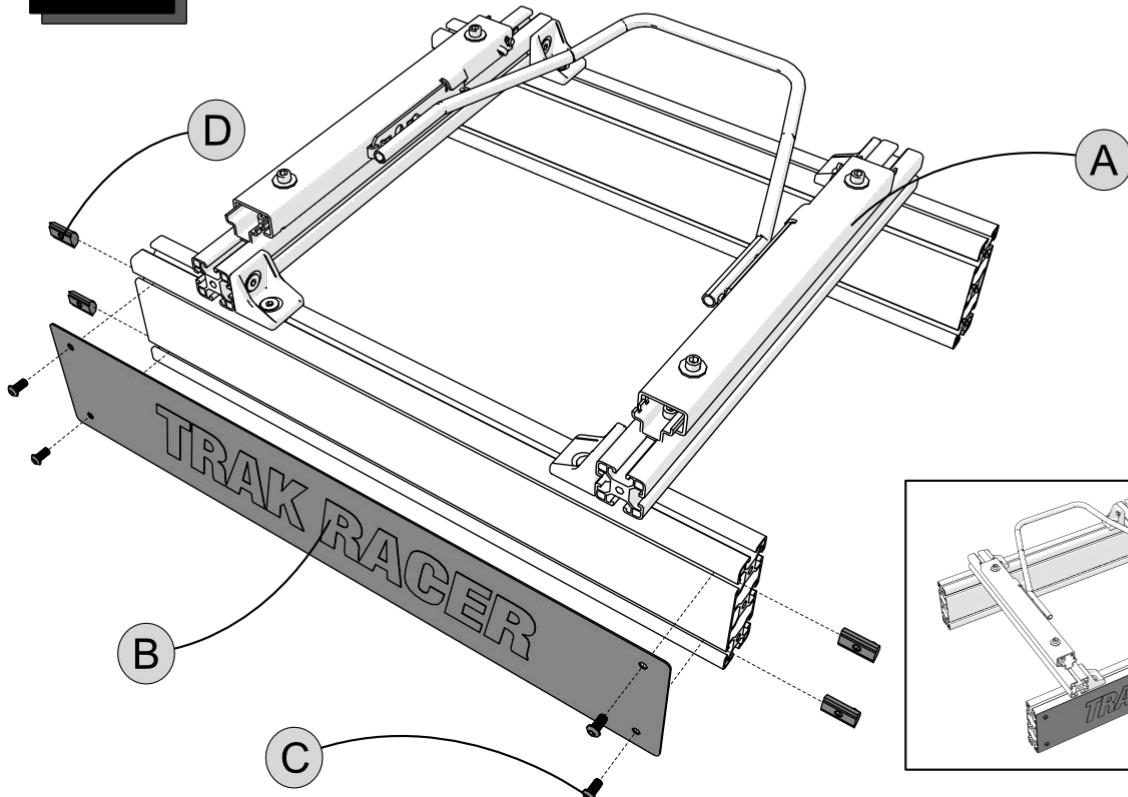


M6x16mm  
x4

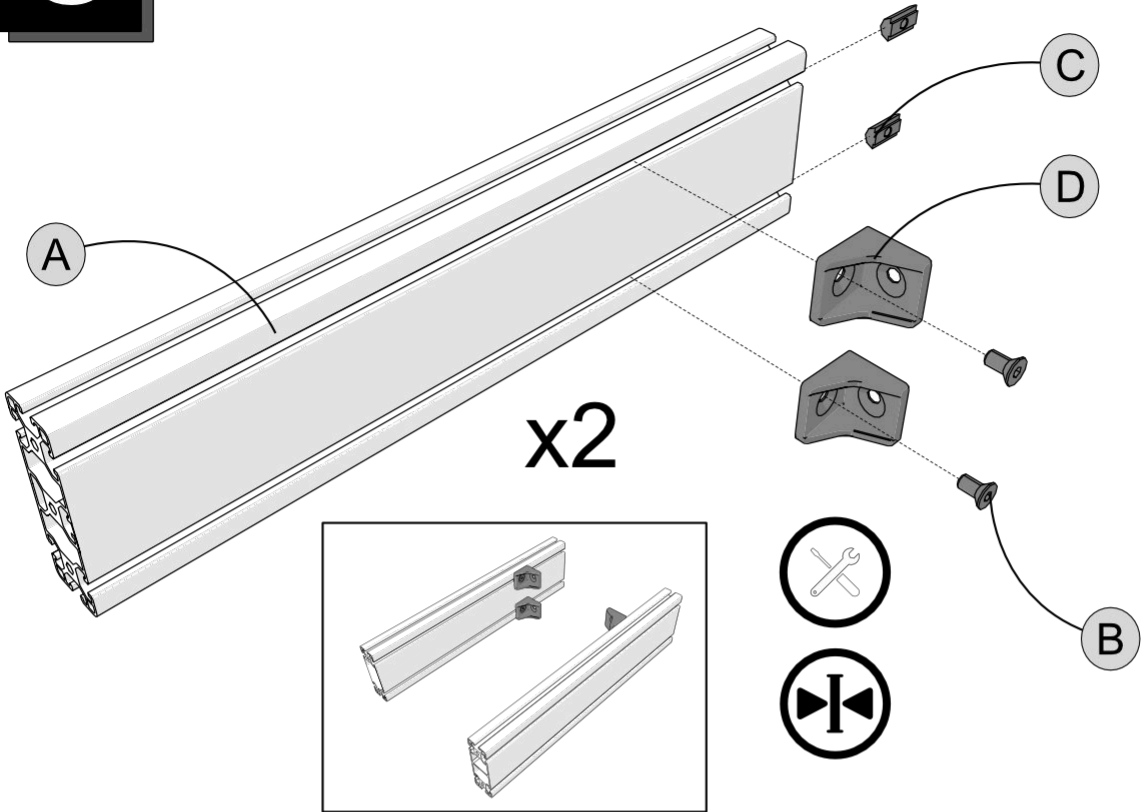
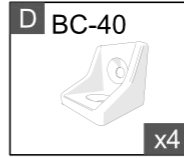
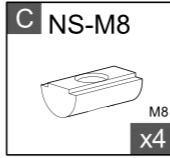
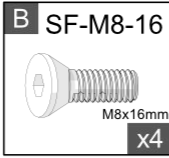
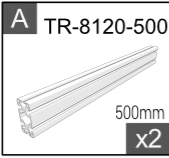
**D** NS-M6



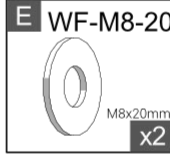
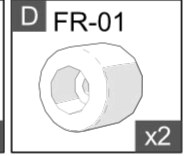
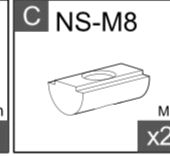
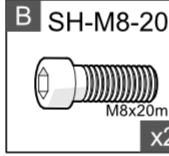
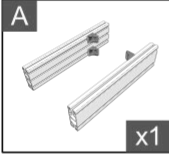
M6  
x4



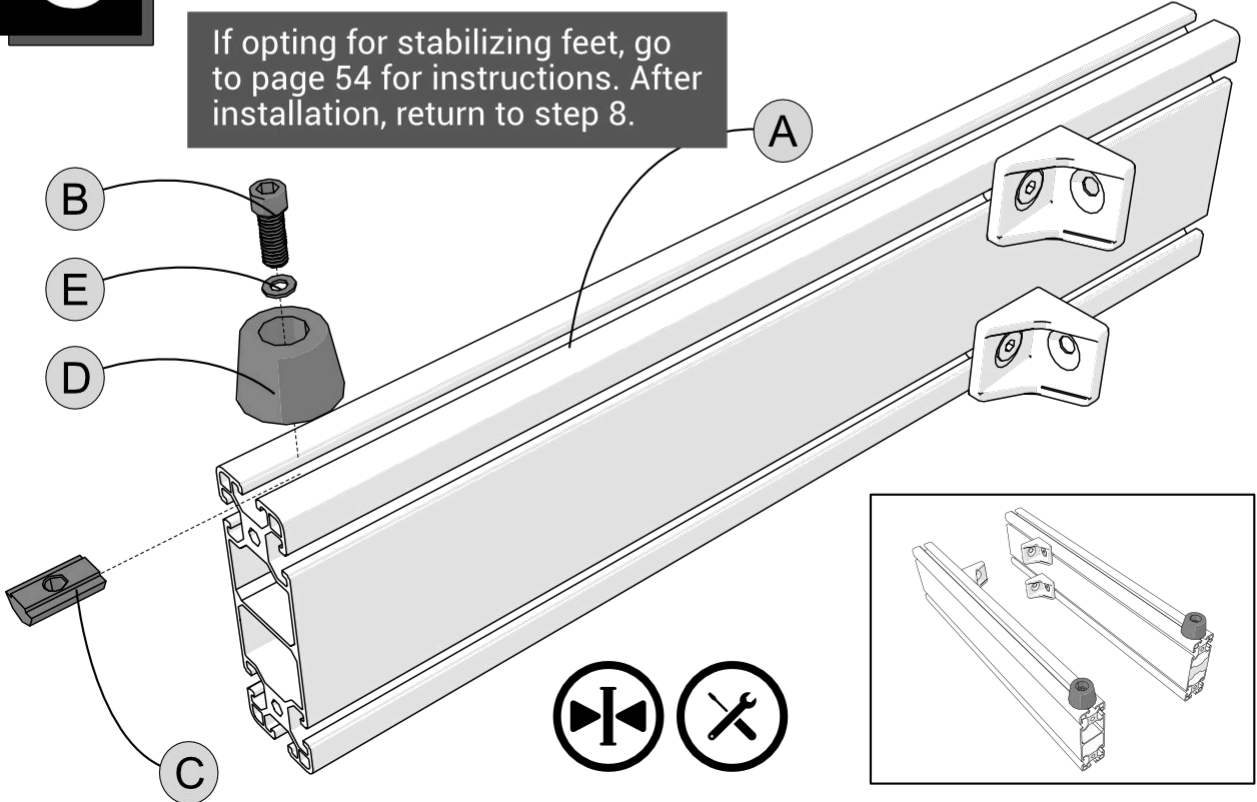
# 5



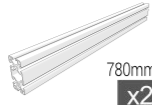
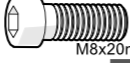
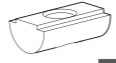

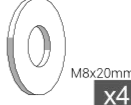
# 6

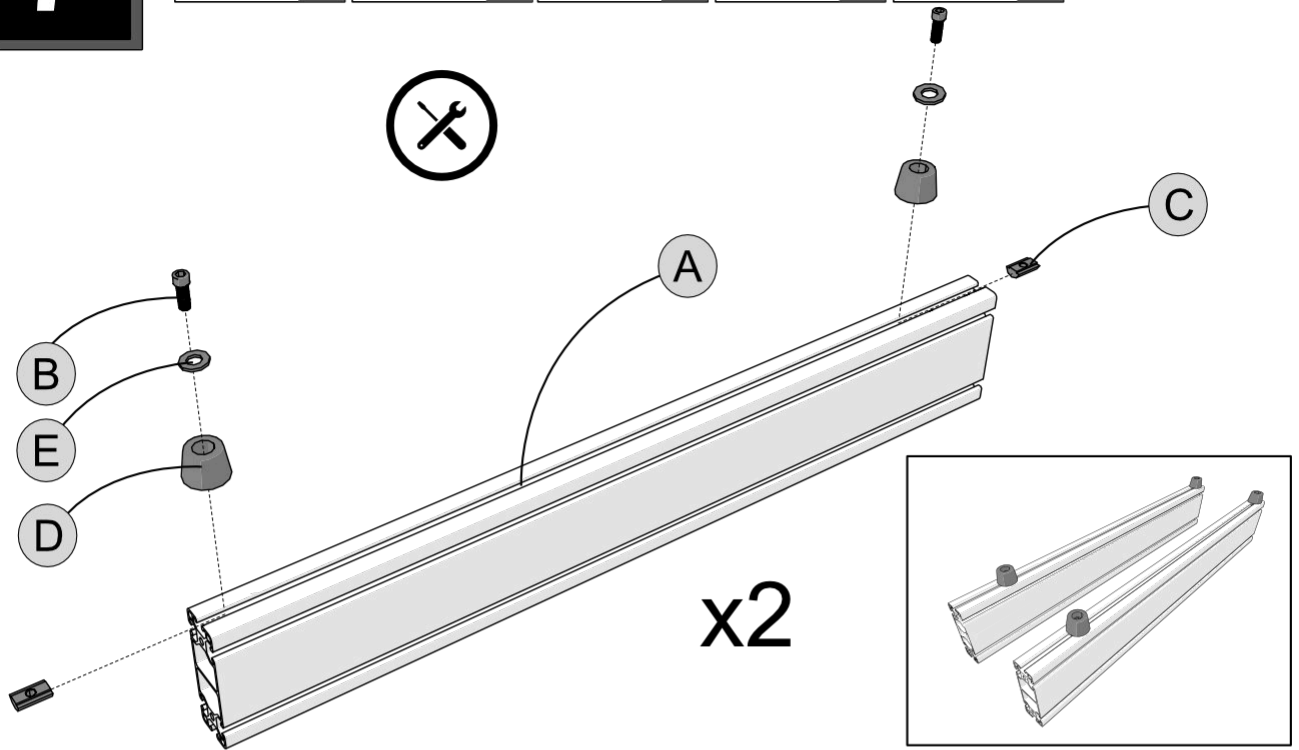


If opting for stabilizing feet, go to page 54 for instructions. After installation, return to step 8.

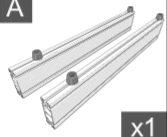
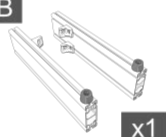





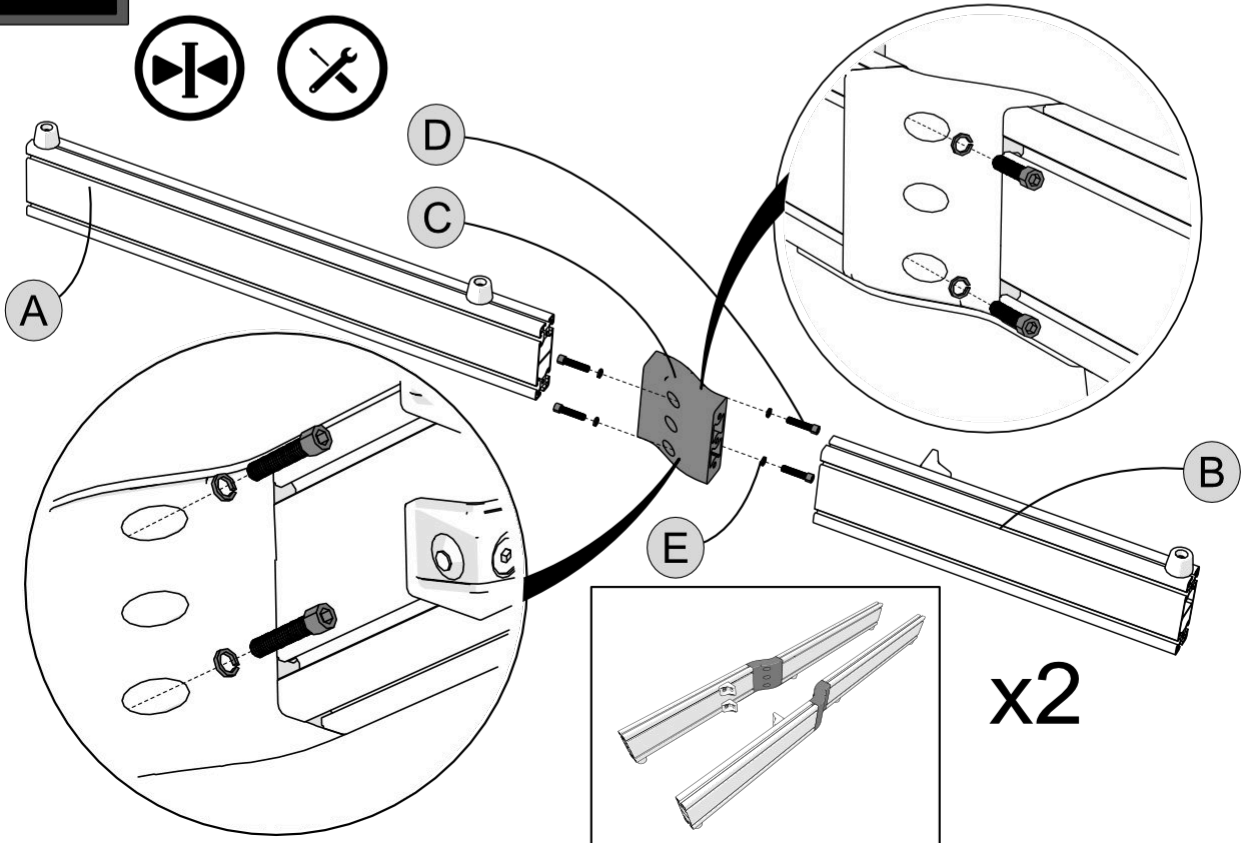
# 7

- A** TR-8120-780  
  
 780mm  
 x2
- B** SH-M8-20  
  
 M8x20mm  
 x4
- C** NS-M8  
  
 M8  
 x4
- D** FR-01  
  
 x4
- E** WF-M8-20  
  
 M8x20mm  
 x4


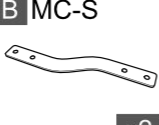




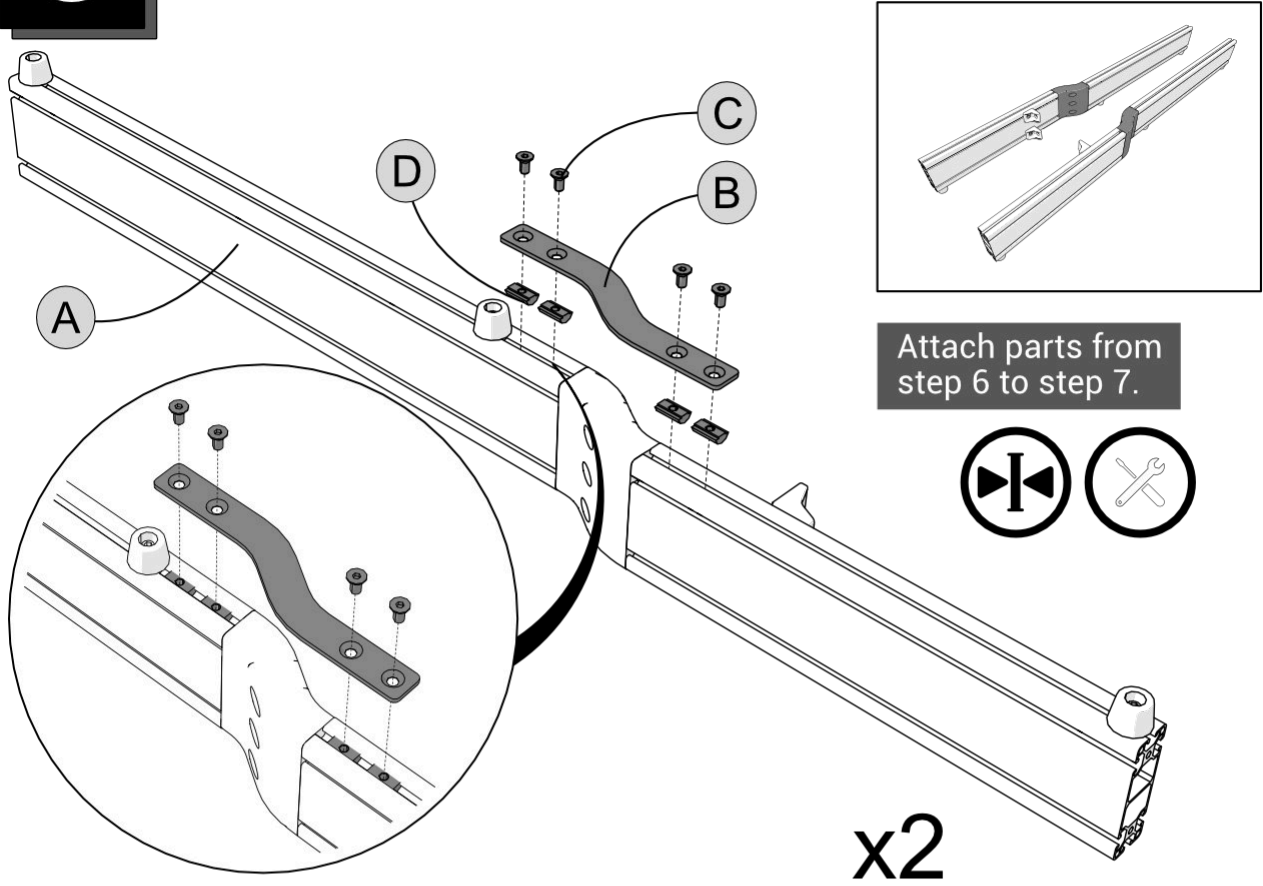
# 8

- A**  
  
 x1
- B**  
  
 x1
- C** BCH  
  
 x2
- D** SH-M8-35  
  
 M8x35mm  
 x4
- E** WL-M8  
  
 x4

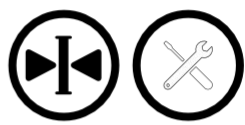


# 9

- A**  
  
 x1
- B MC-S**  
  
 x2
- C SF-M8-16**  
  
 M8x16mm  
 x8
- D NS-M8**  
  
 M8  
 x8


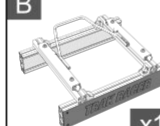
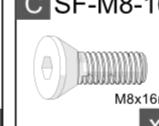
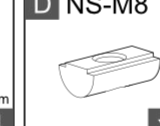


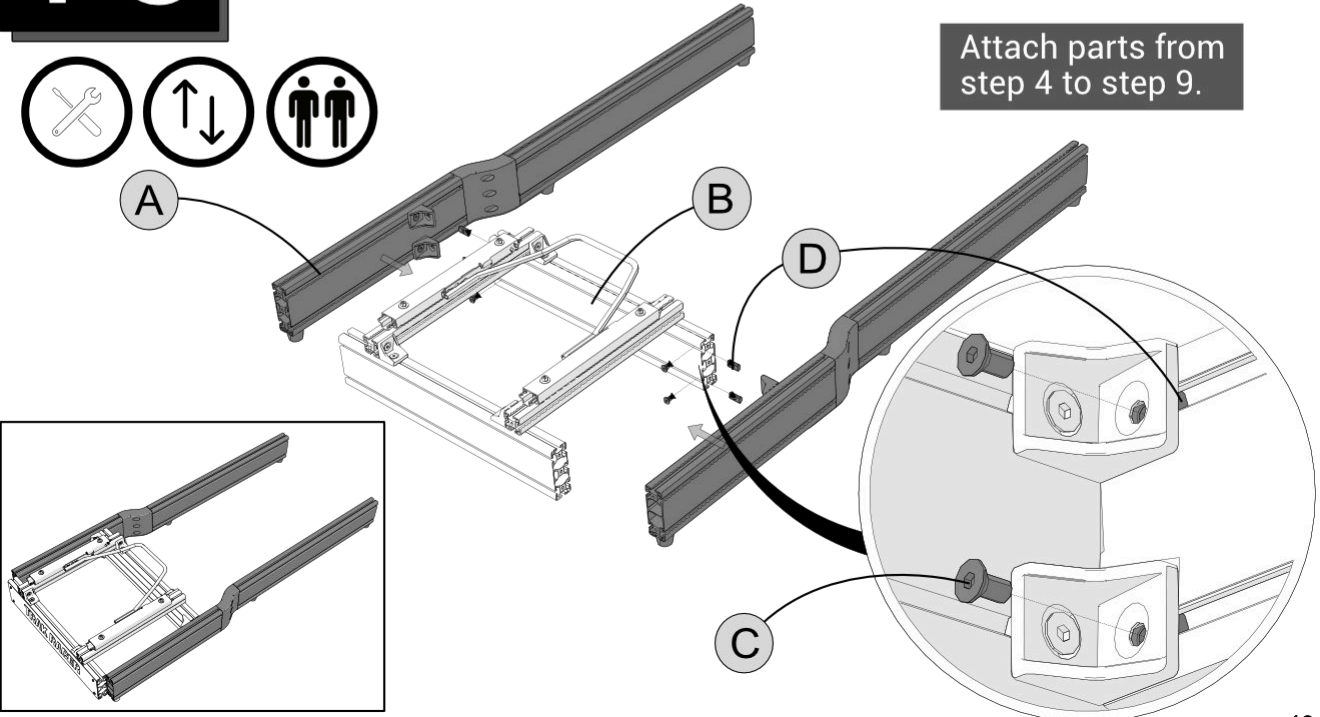
Attach parts from step 6 to step 7.



x2

# 10

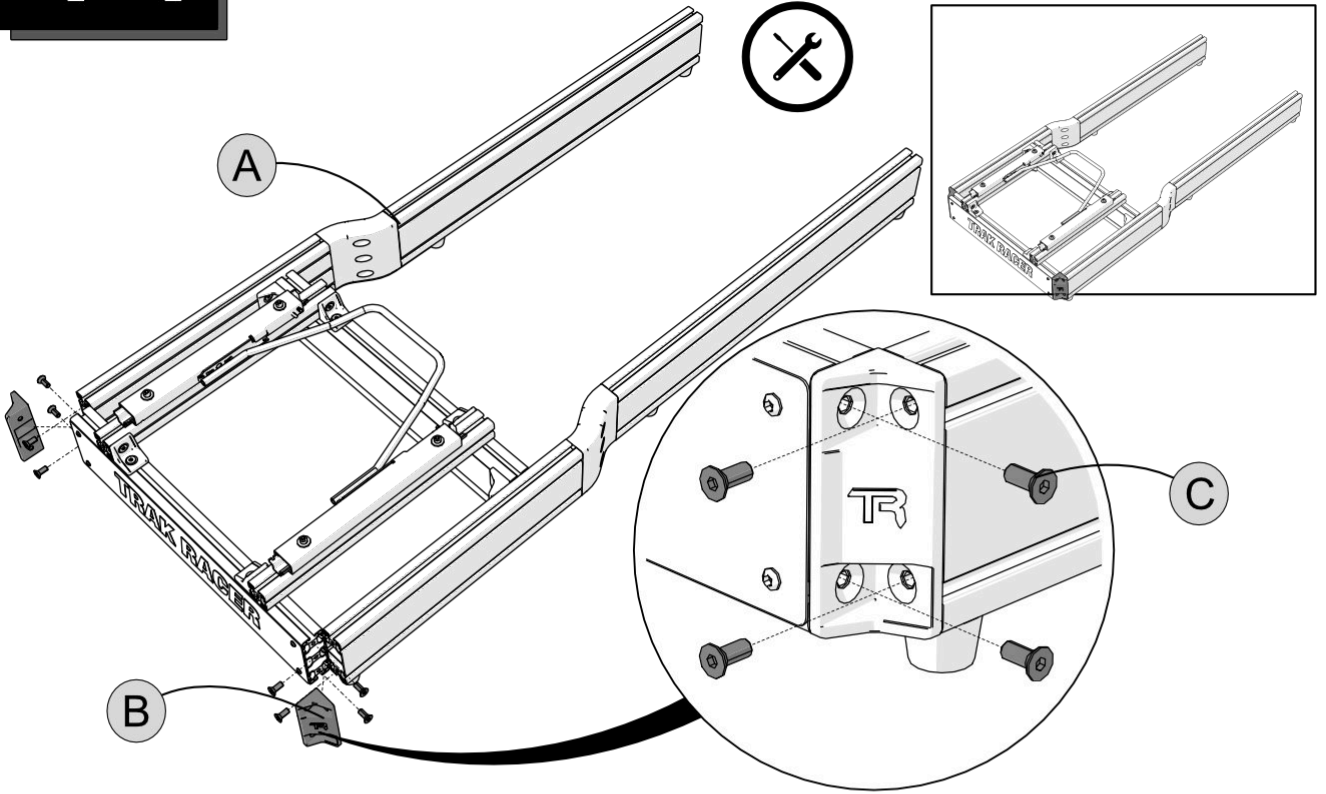
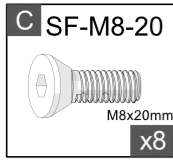
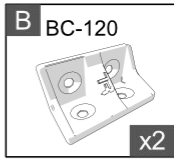
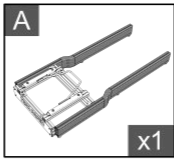
- A**  
  
 x1
- B**  
  
 x1
- C SF-M8-16**  
  
 M8x16mm  
 x4
- D NS-M8**  
  
 M8  
 x4



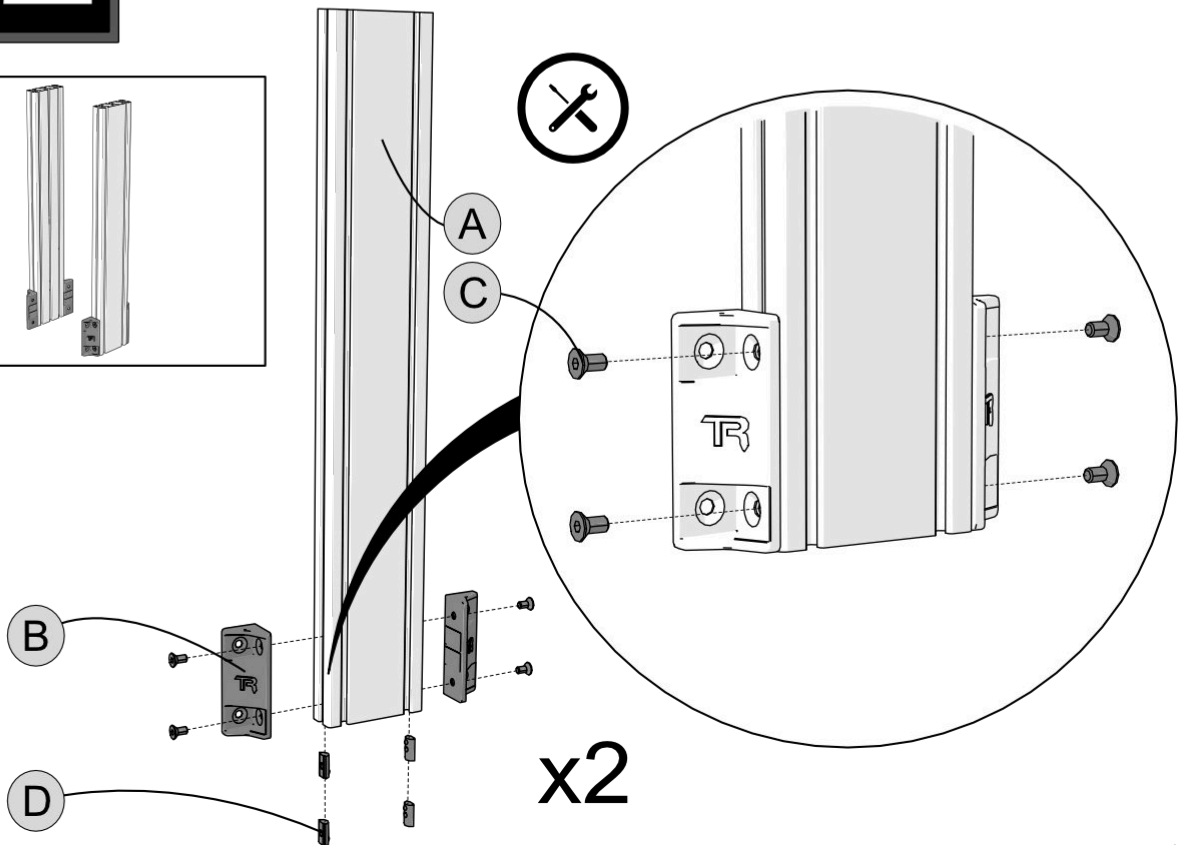
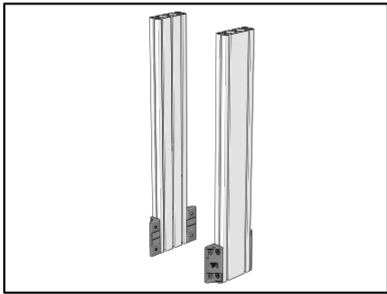
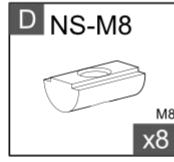
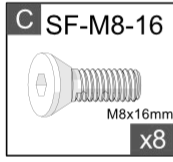
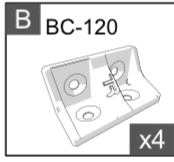
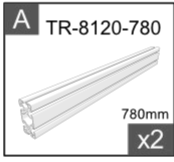
Attach parts from step 4 to step 9.



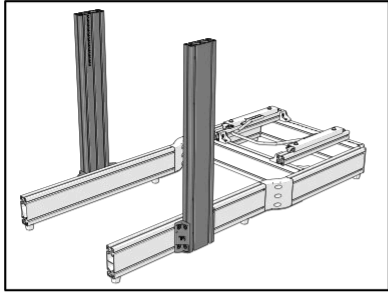
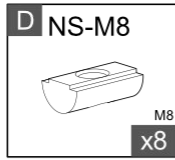
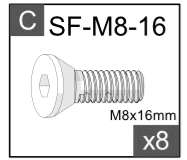
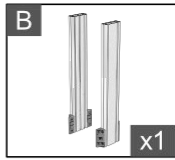
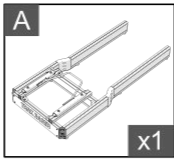
# 11



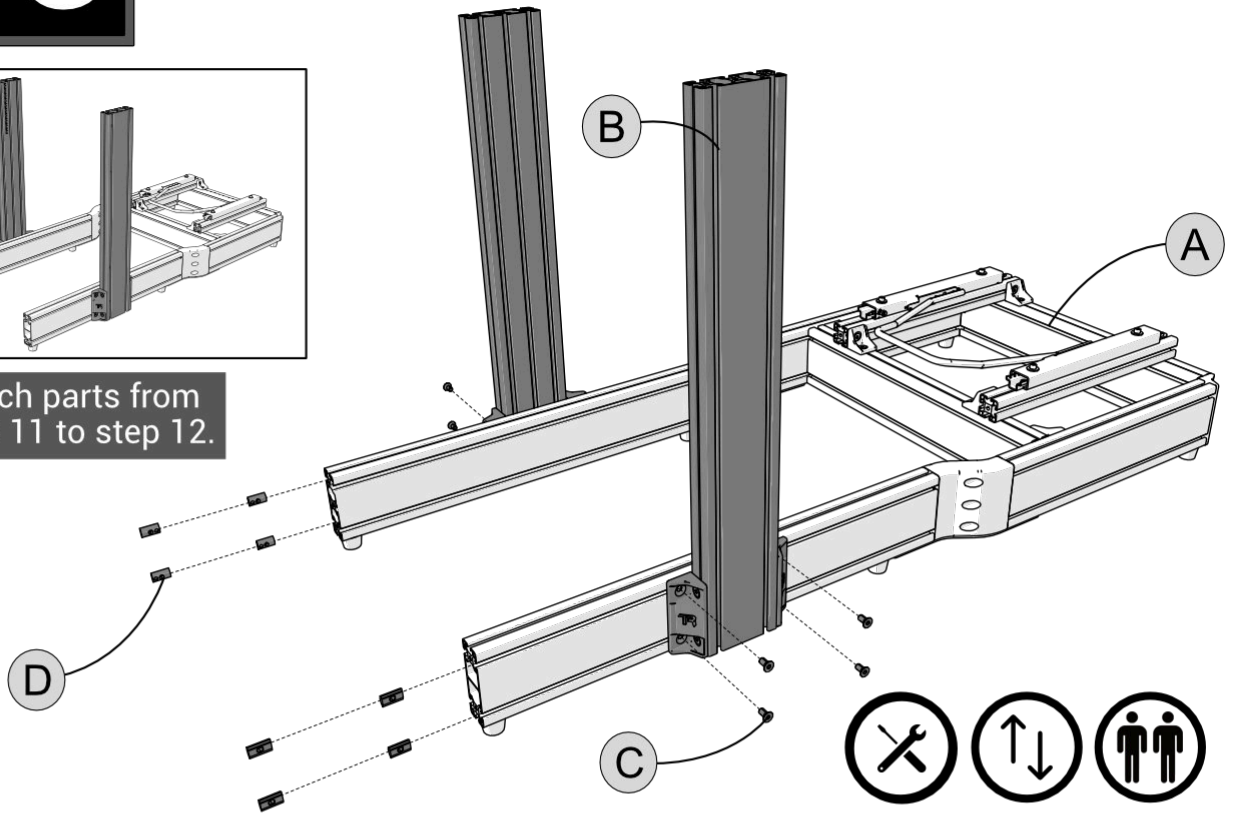
# 12



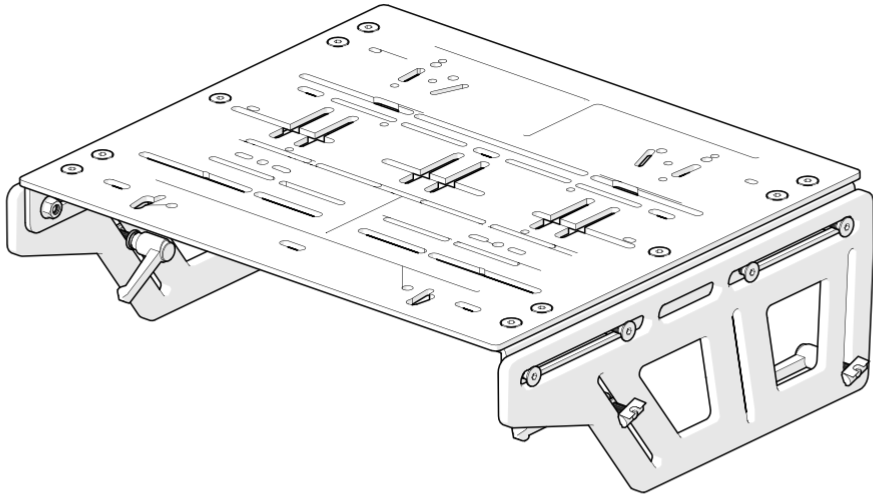
# 13



Attach parts from step 11 to step 12.

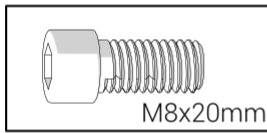


# Pedal Option 1



**NOTE:** Hardware to attach pedals to plate not included. Please use hardware included with your pedal set.

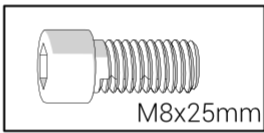
## PART LISTS



Hex Screw

SH-M8-20

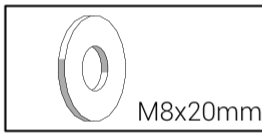
x8



Hex Screw

SH-M8-25

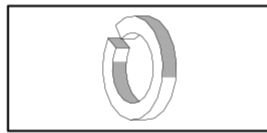
x4



Washer (Flat)

WF-M8-20

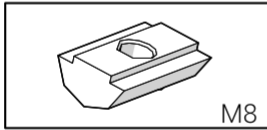
x4



Washer (Lock), M8

WL-M8

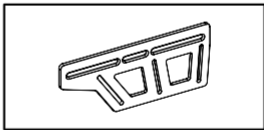
x4



Ball Bearing Nut, M8

NS-M8

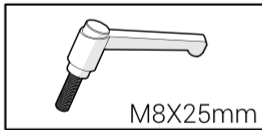
x4



Feet Plate

PP-NP

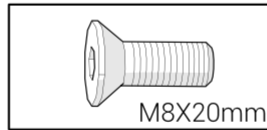
x2



Handle Screw

SL-M8-25

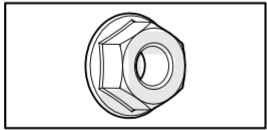
x4



Screw (Flat)

SF-M8-20

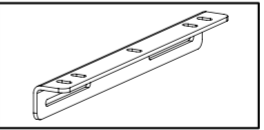
x10



Flange Nut, M8

NF-M8

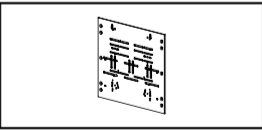
x3



Corner Bracket

PP-NP-LB

x2



Plate

PP-80-TP

x1

\* **NOTE:** Extra hardware may be included as spare parts

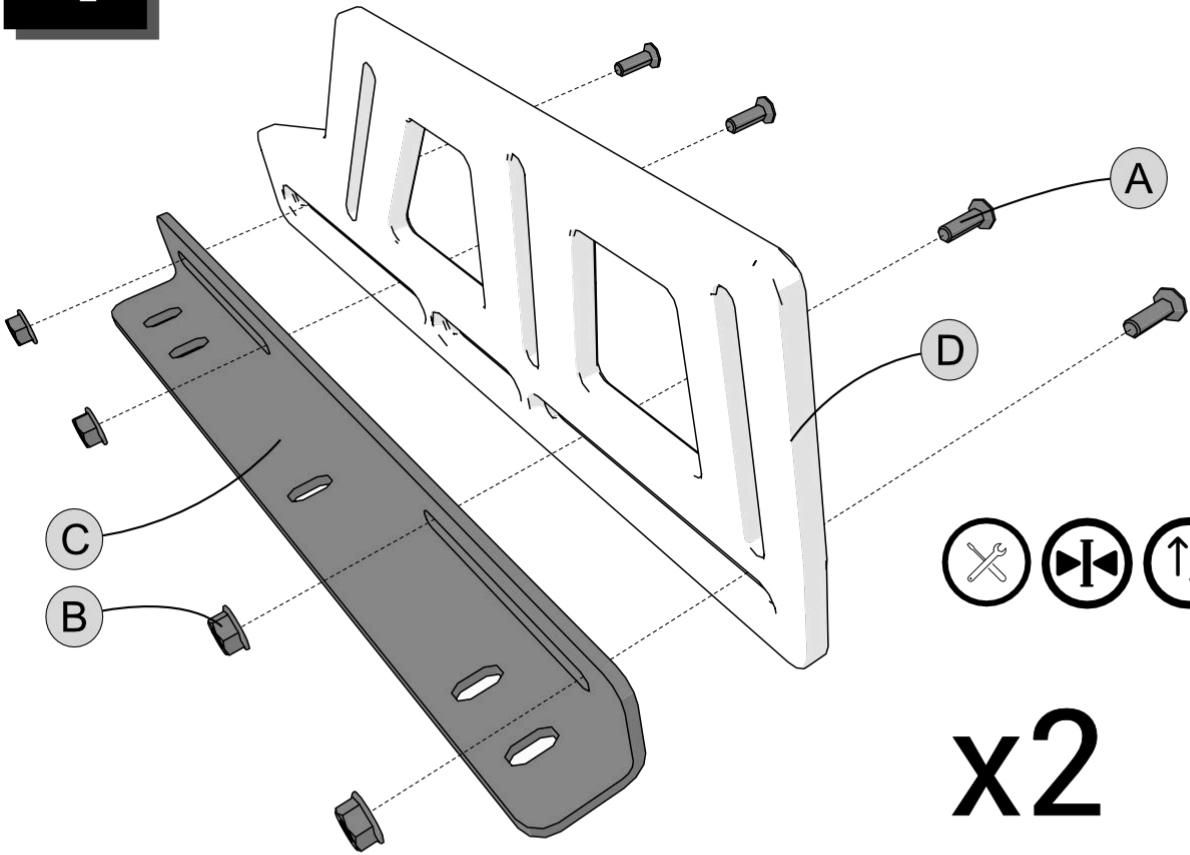
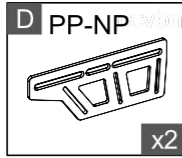
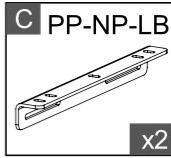
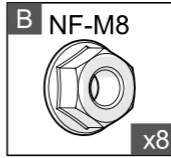
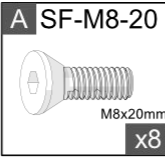
TR80-PBPL



**TRAK RACER**

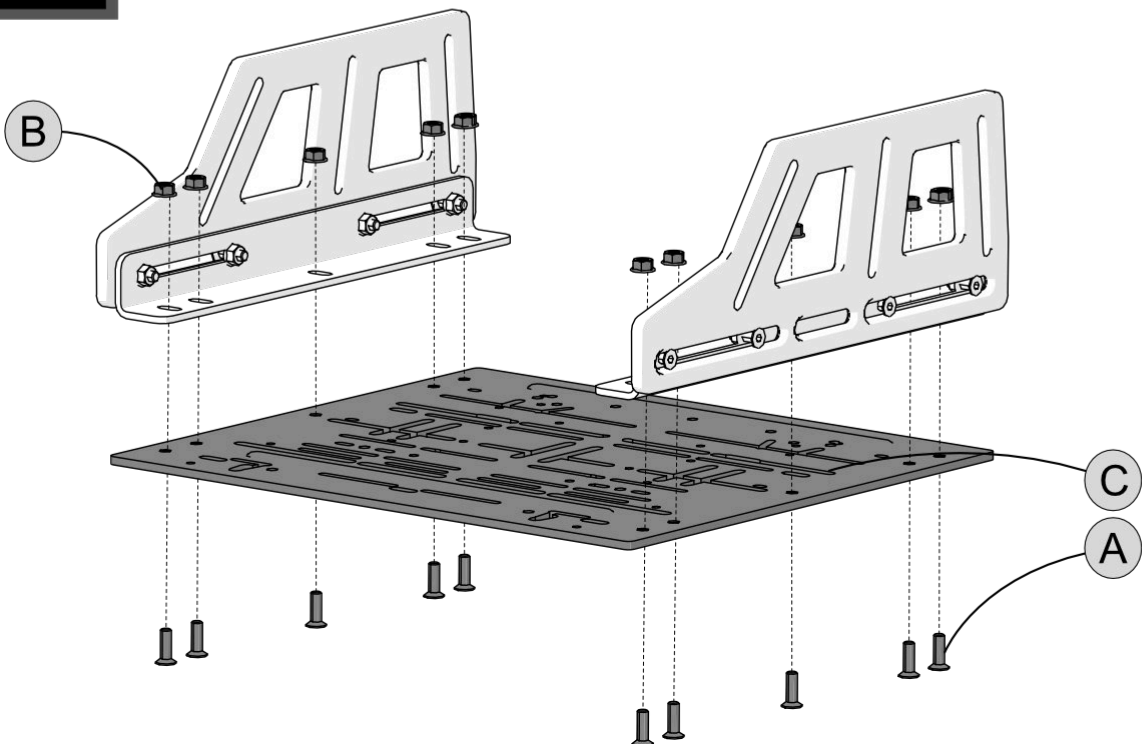
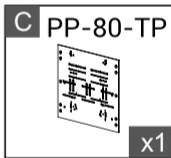
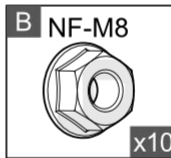
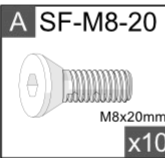
Published 2024-10-5

# 1



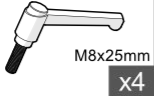
# x2

# 2



# 3

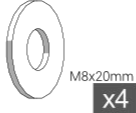
A SL-M8-25



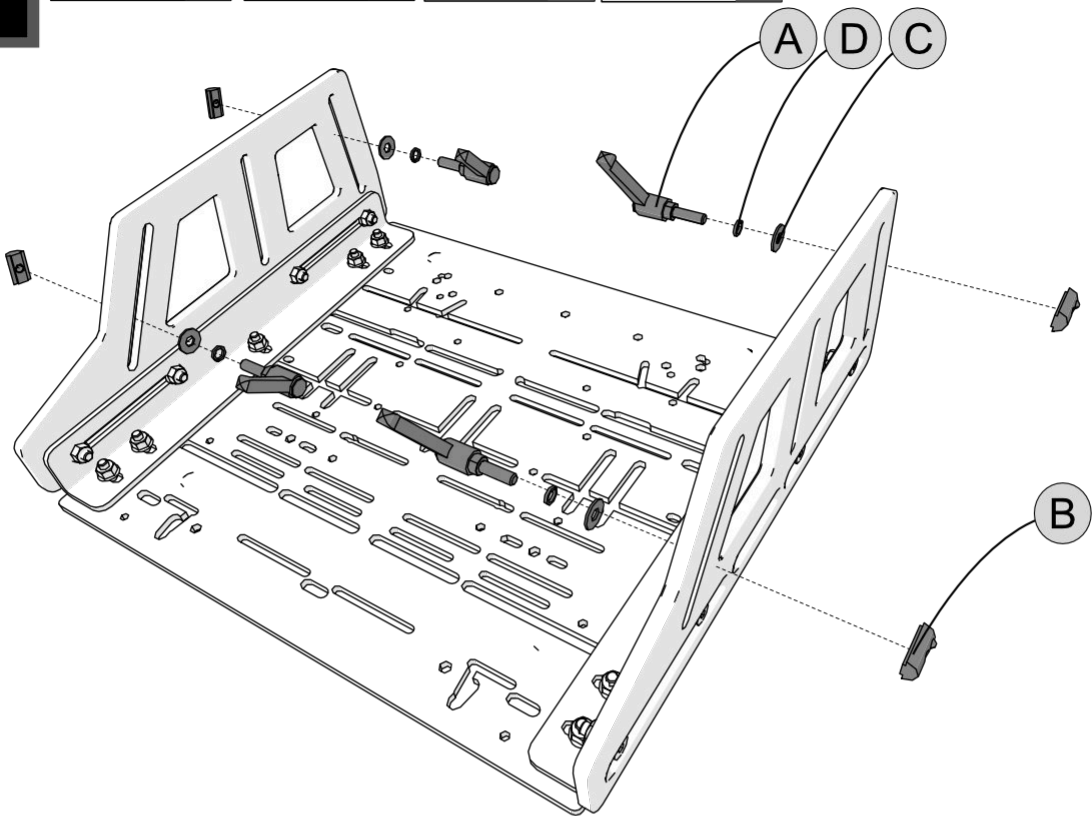
B NS-M8



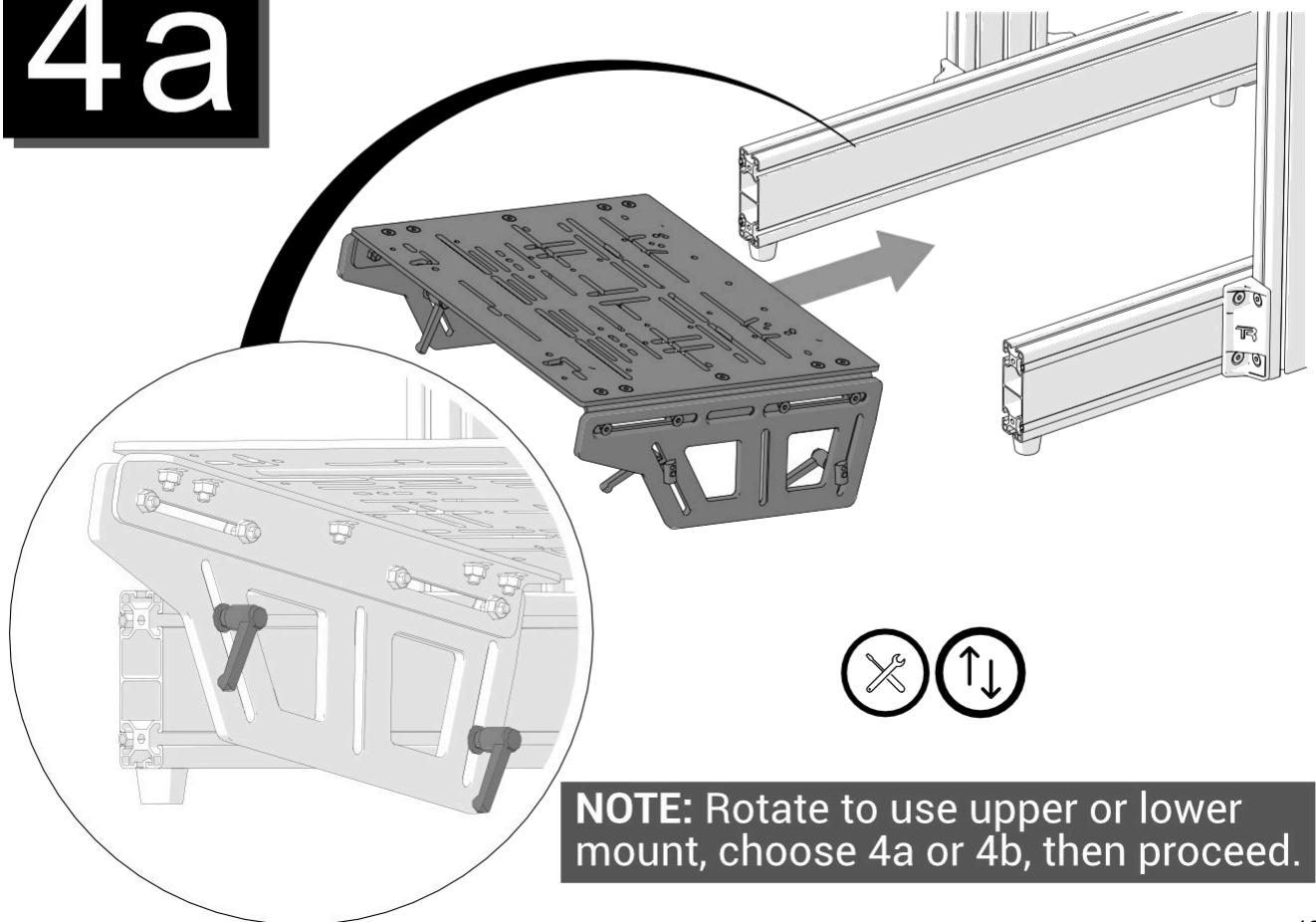
C WF-M8-20



D WL-M8

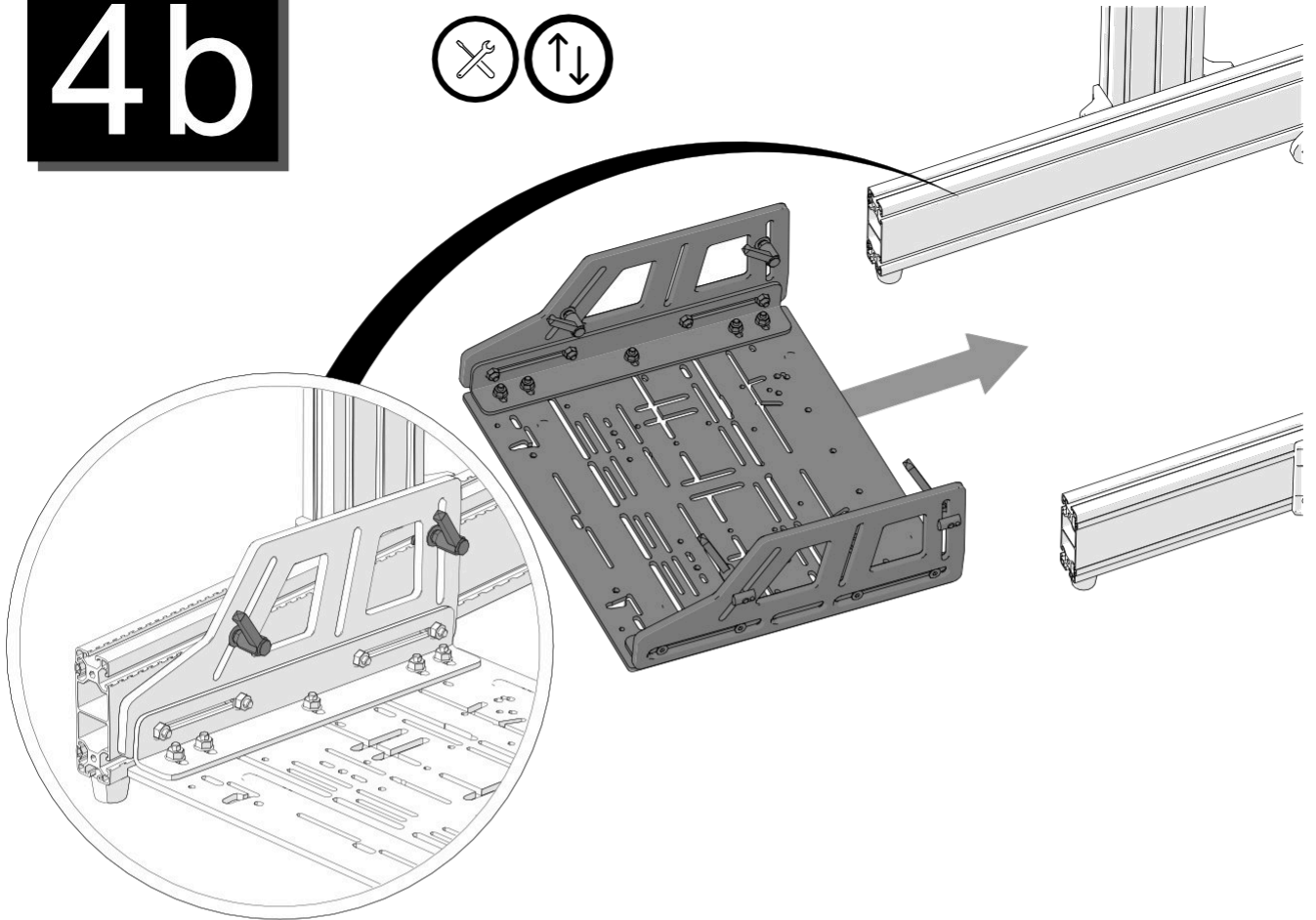
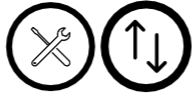


# 4a

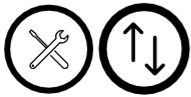
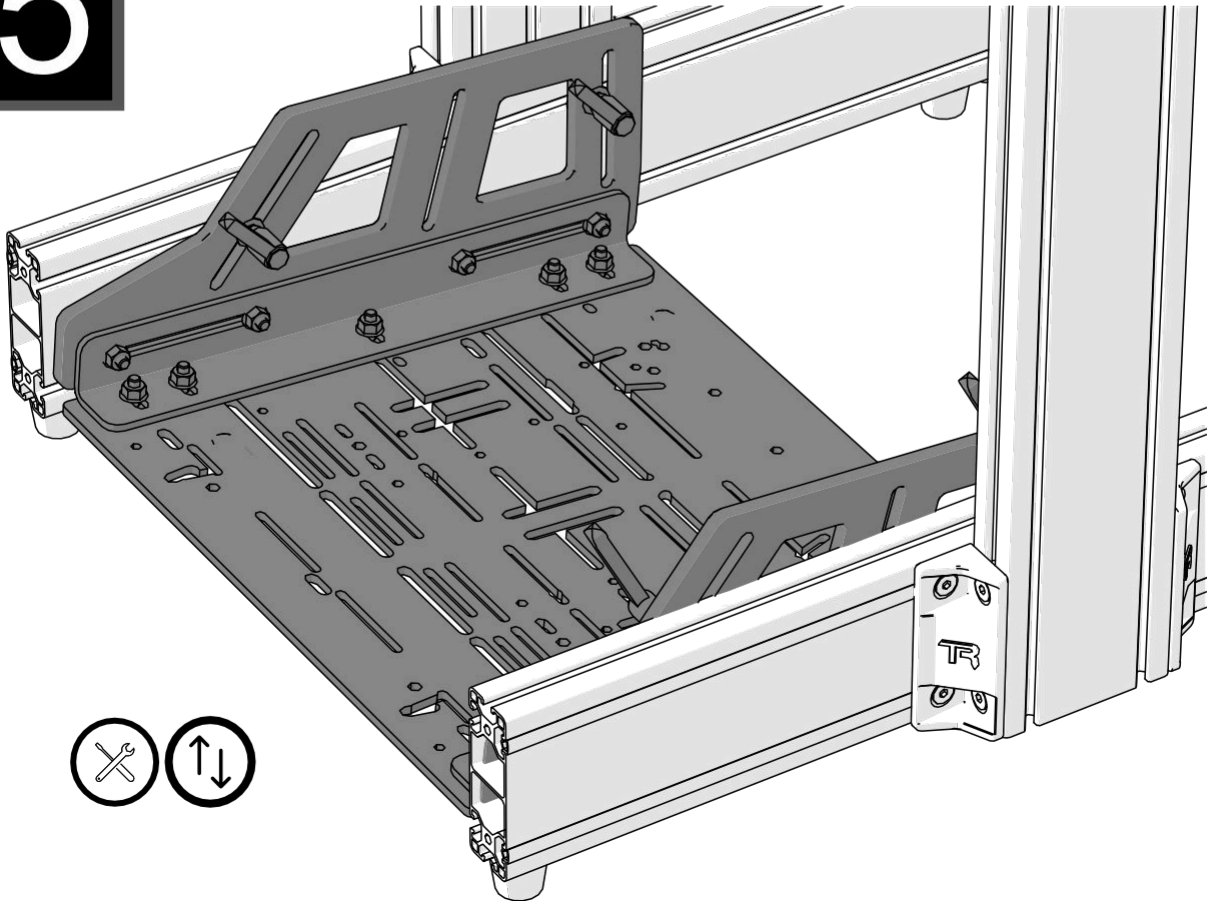


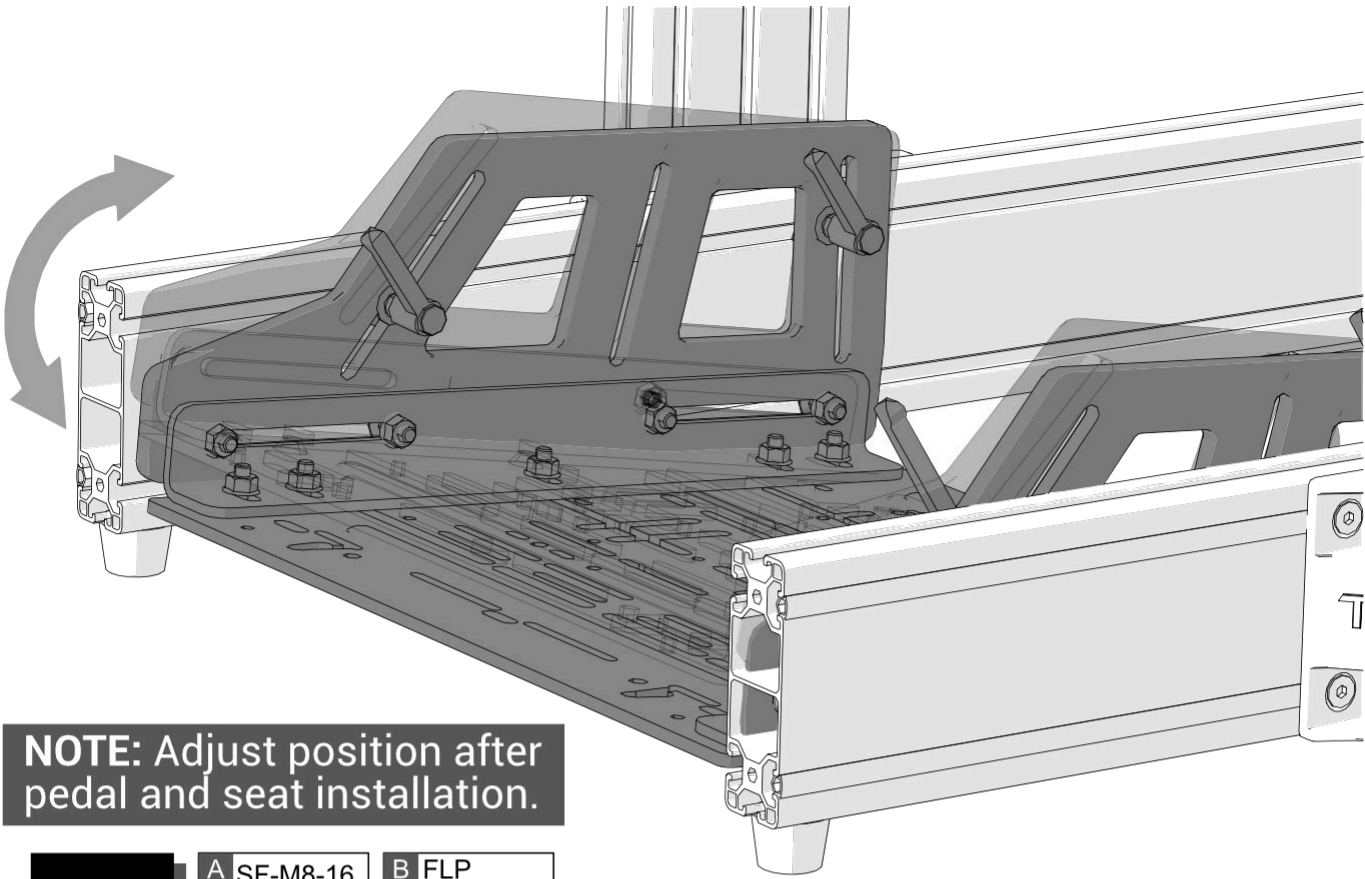
**NOTE:** Rotate to use upper or lower mount, choose 4a or 4b, then proceed.

# 4b



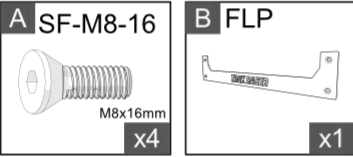
# 5



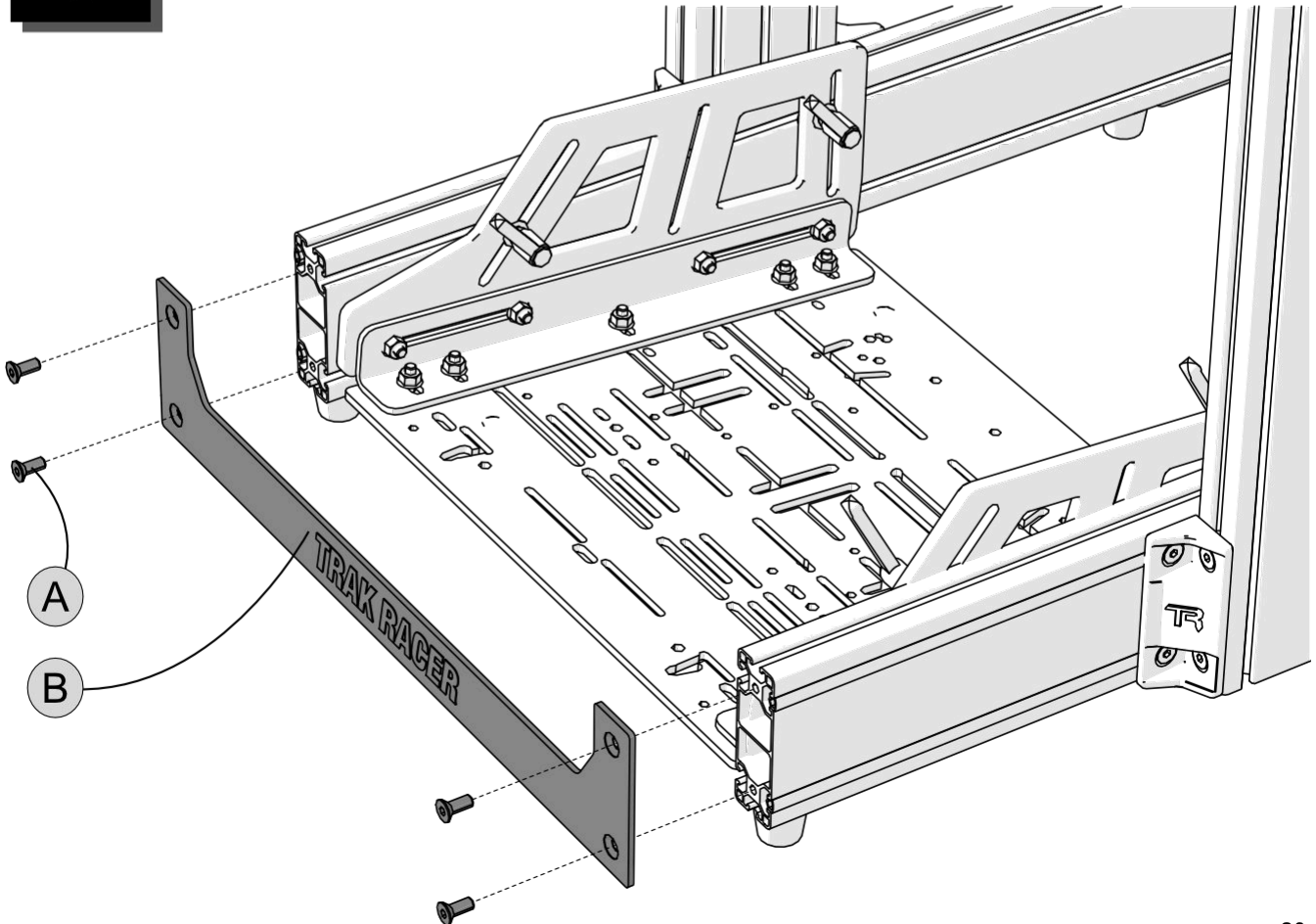


**NOTE:** Adjust position after pedal and seat installation.

**6**



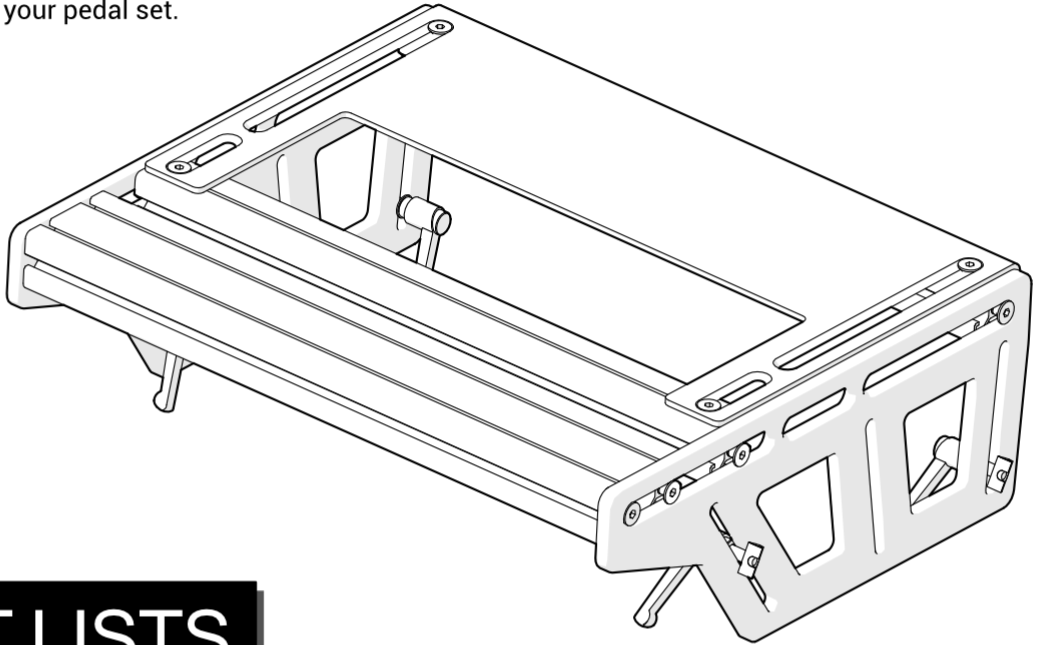
**NOTE:** After installing the pedal, proceed to page 31 for the wheel mount options.



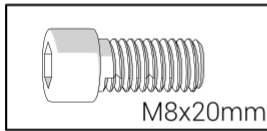
# Pedal Option 2



NOTE: Hardware to attach pedals to plate not included. Please use hardware included with your pedal set.



## PART LISTS

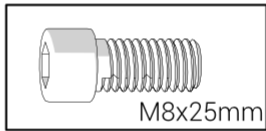


M8x20mm

Hex Screw

SH-M8-20

x8

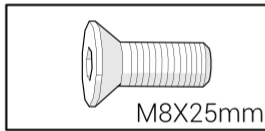


M8x25mm

Hex Screw

SH-M8-25

x4

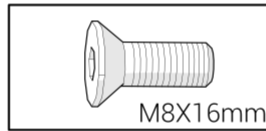


M8x25mm

Screw (Flat)

SF-M8-25

x8

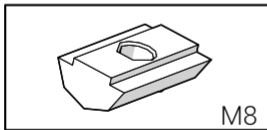


M8x16mm

Screw (Flat)

SF-M8-16

x8

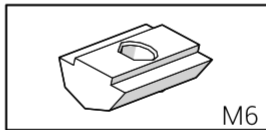


M8

Ball Bearing Nut, M8

NS-M8

x12

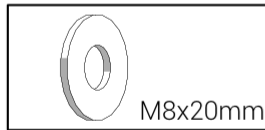


M6

Ball bearing Nut, M6

NS-M6

x12

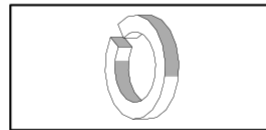


M8x20mm

Washer (Flat)

WF-M8-20

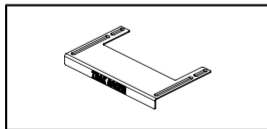
x16



Washer (Lock), M8

WL-M8

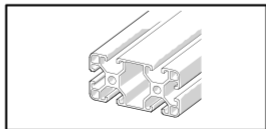
x16



Heel Plate

PP-HR-AL

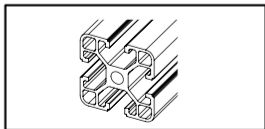
x1



Aluminum Profile

TR-8080-480

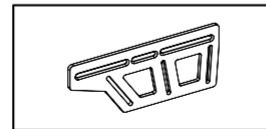
x1



Aluminum Profile

TR-8040-480

x2



Pedal Side Plate

PP-NP

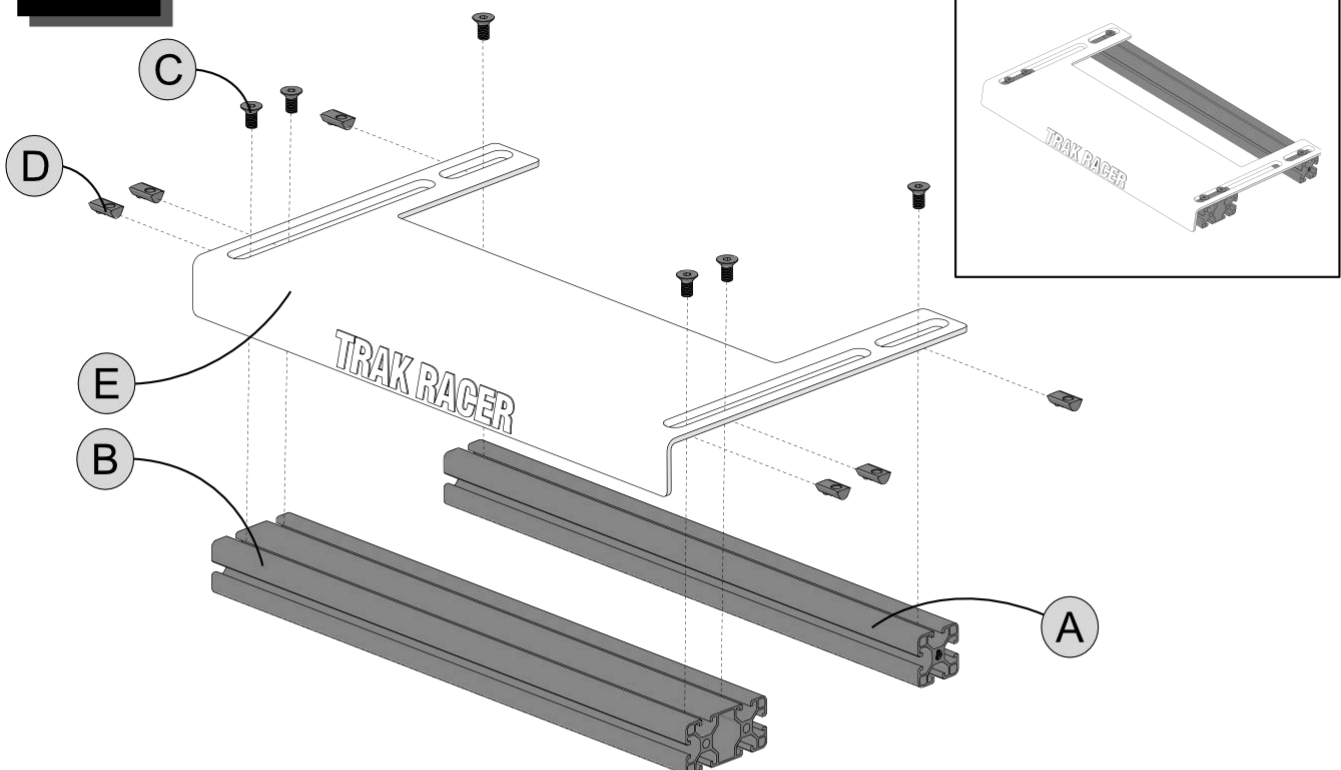
x2

\* NOTE: Extra hardware may be included as spare parts

# TR80-PBAL

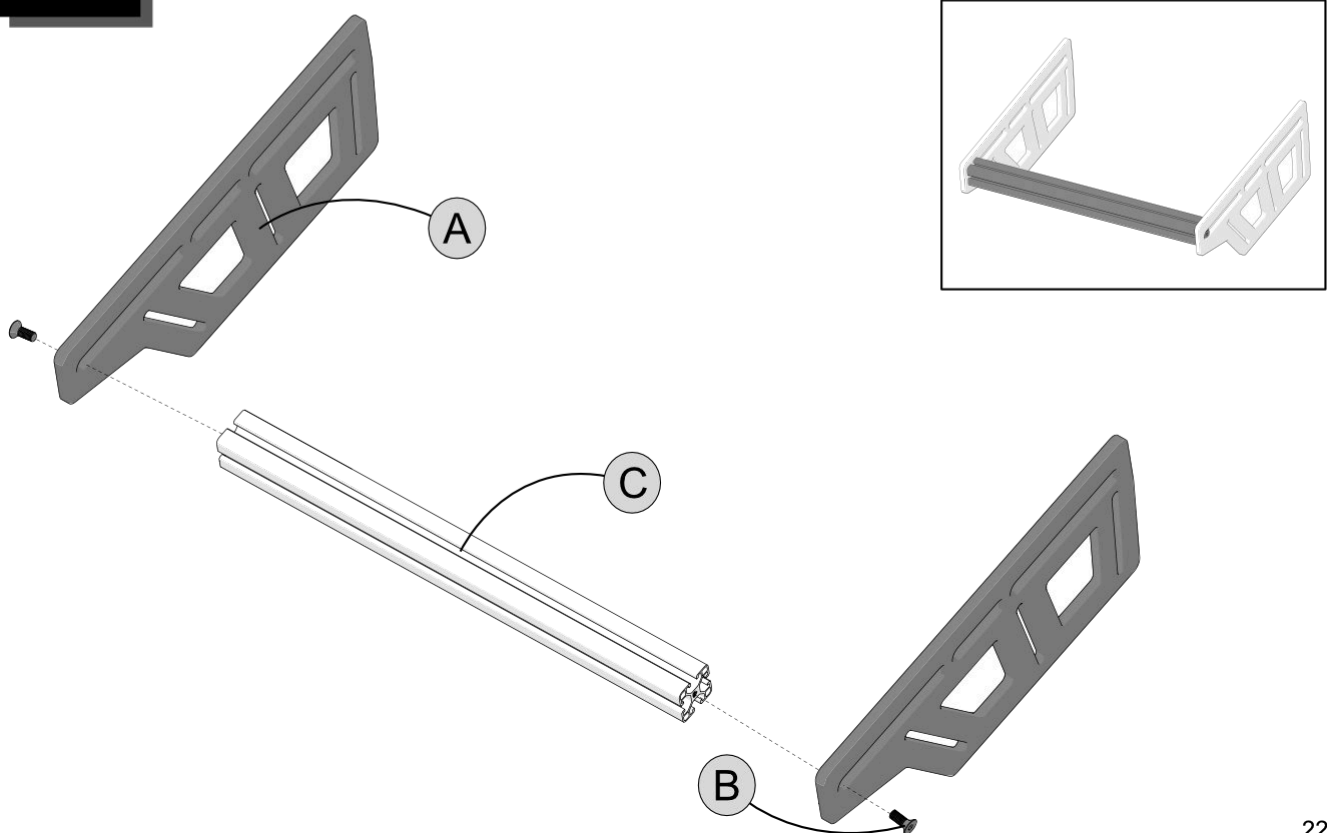
# 1

- A** TR-40-480 480mm x1
- B** TR-80-480 480mm x1
- C** SF-M8-16 M8x16mm x6
- D** NS-M8 x6
- E** PP-HR-AL x1

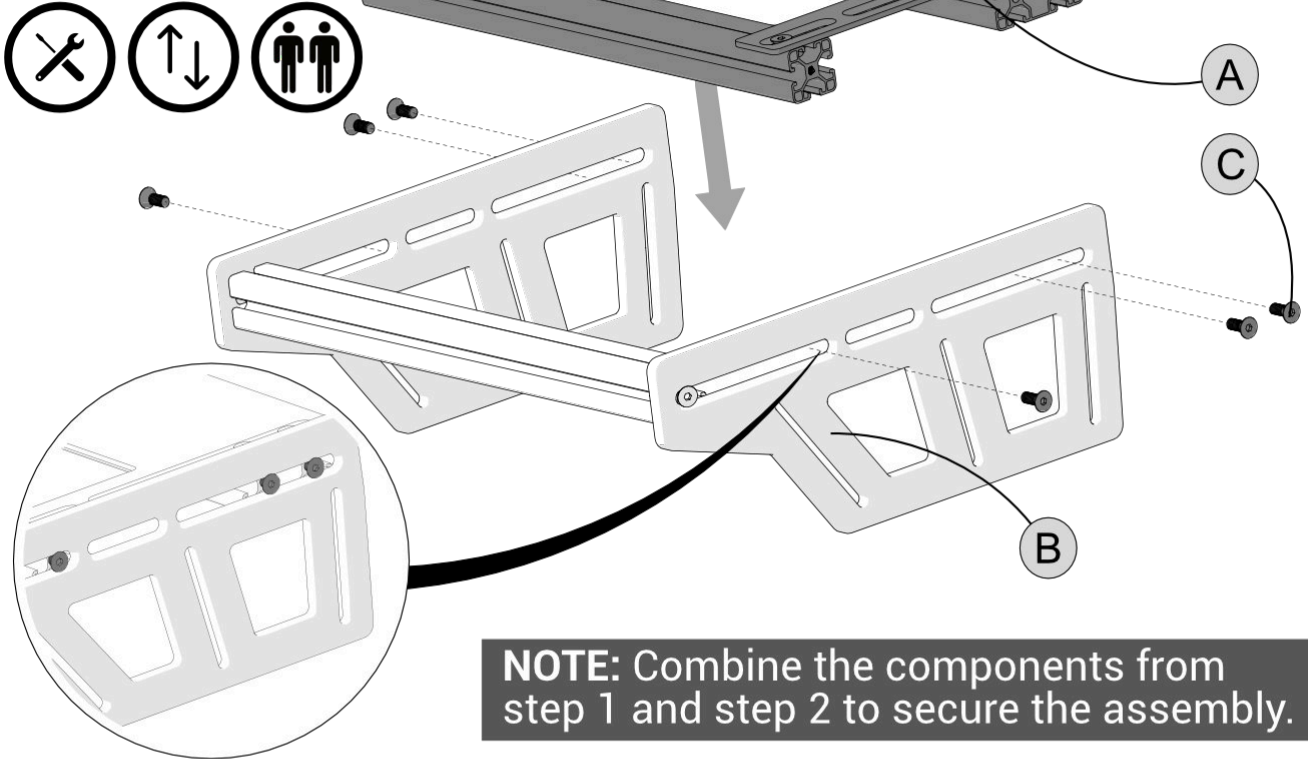
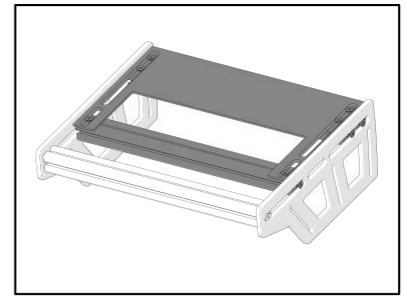
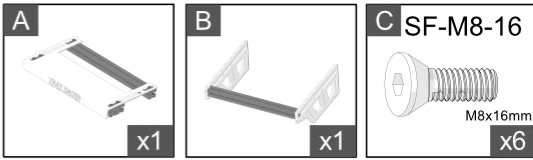


# 2

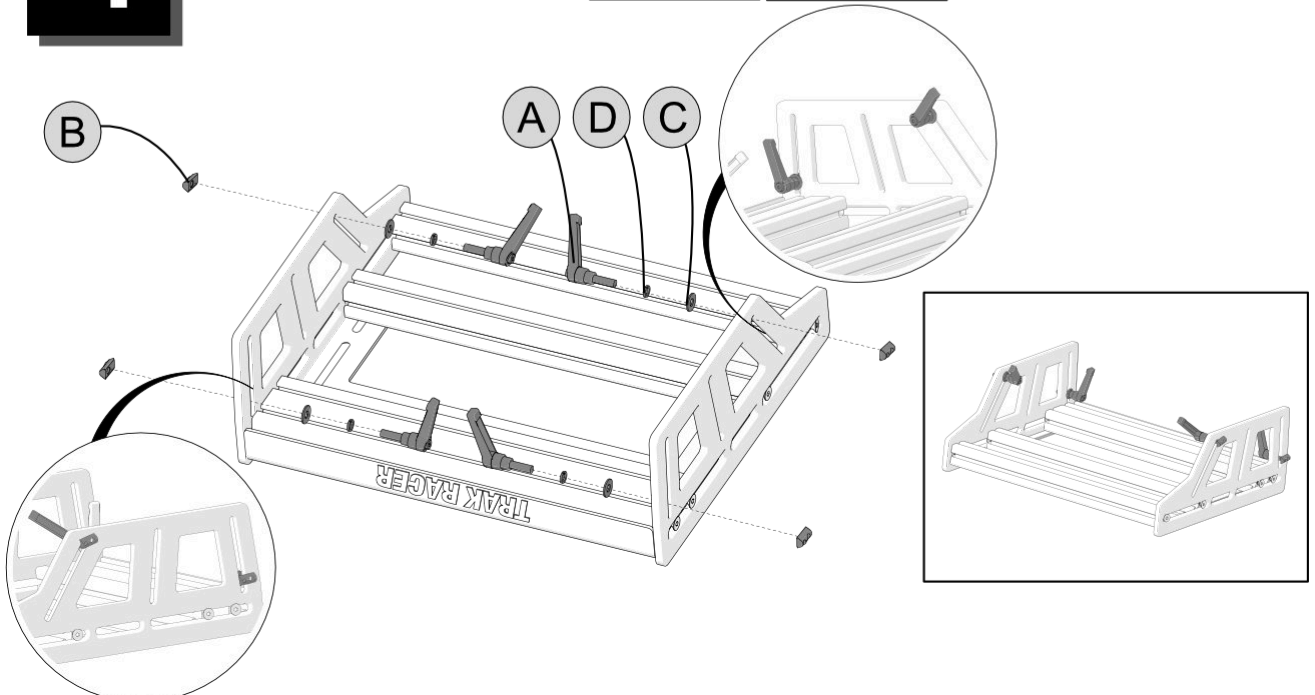
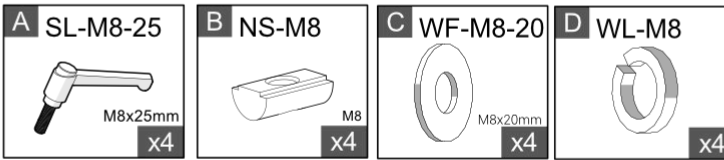
- A** PP-NP x2
- B** SF-M8-16 M8x16mm x2
- C** TR-40-480 480mm x1



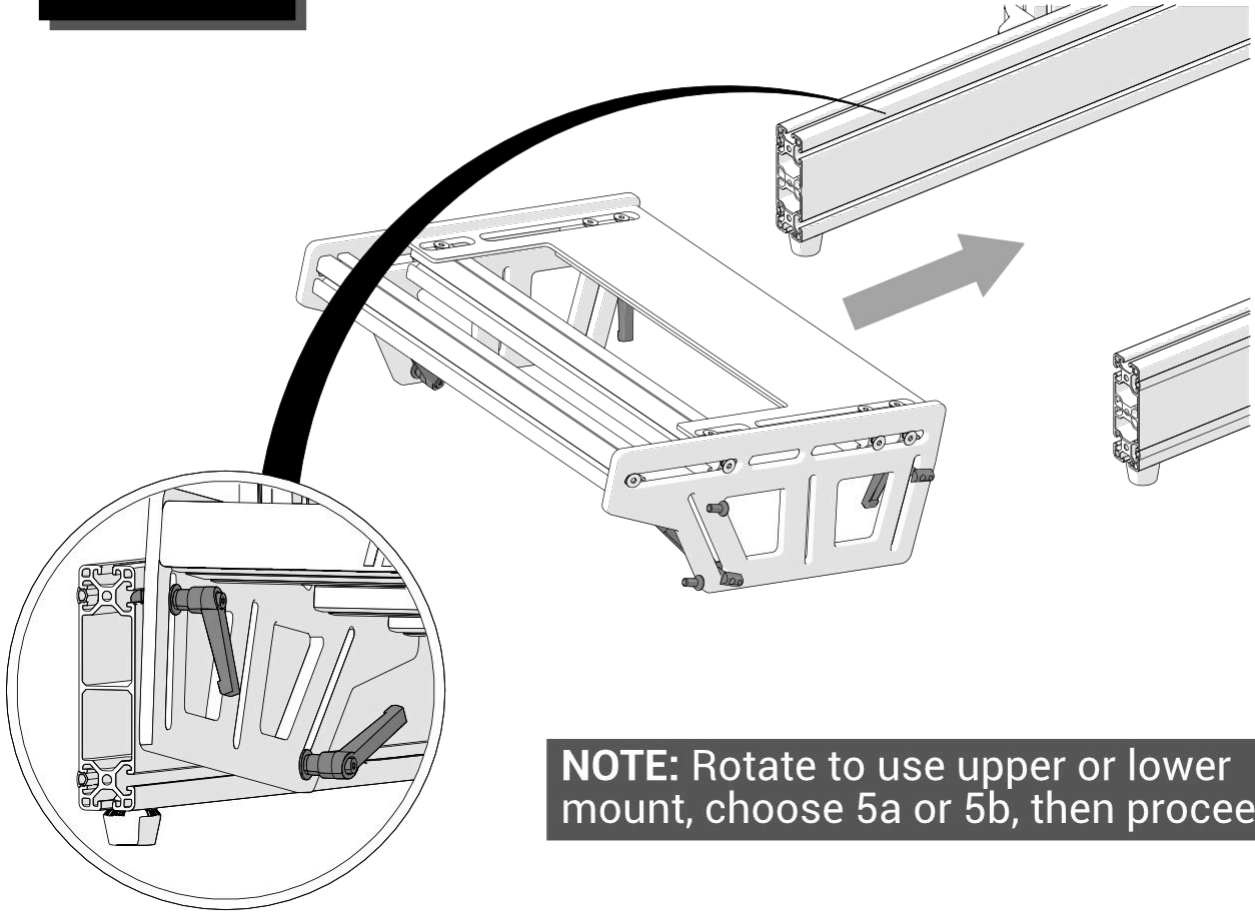
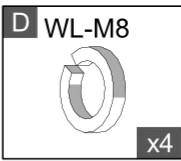
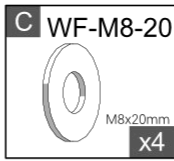
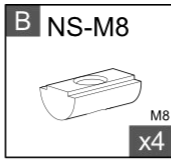
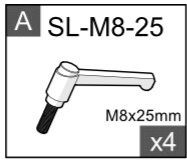
# 3



# 4

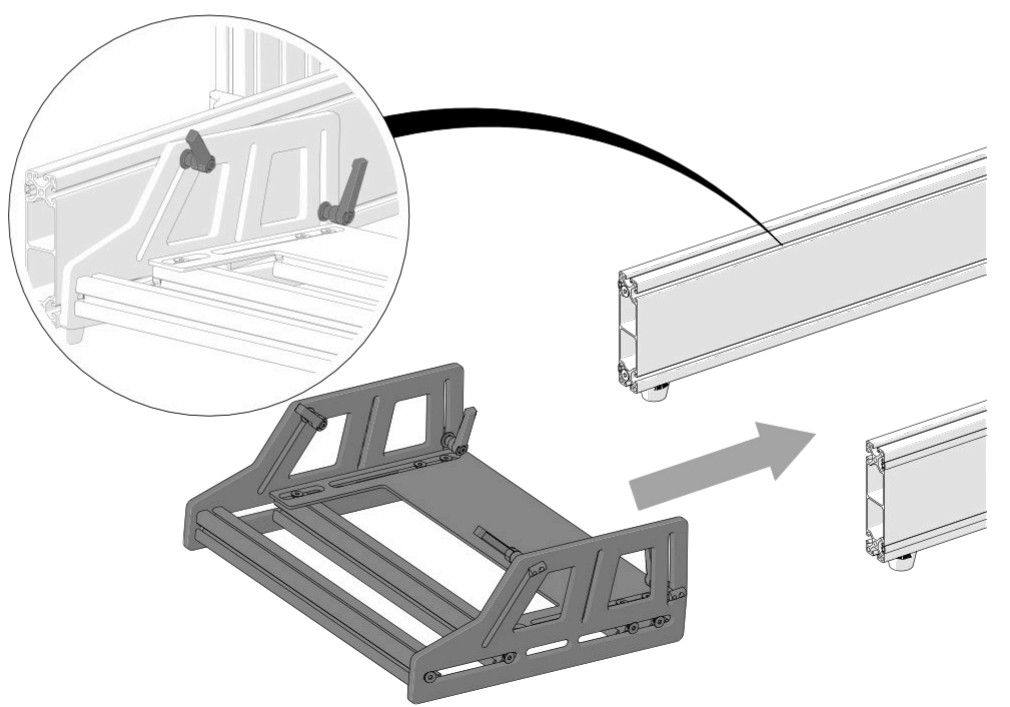
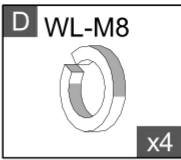
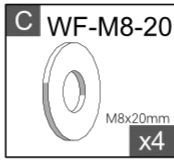
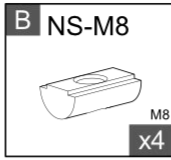
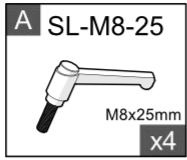


# 5a

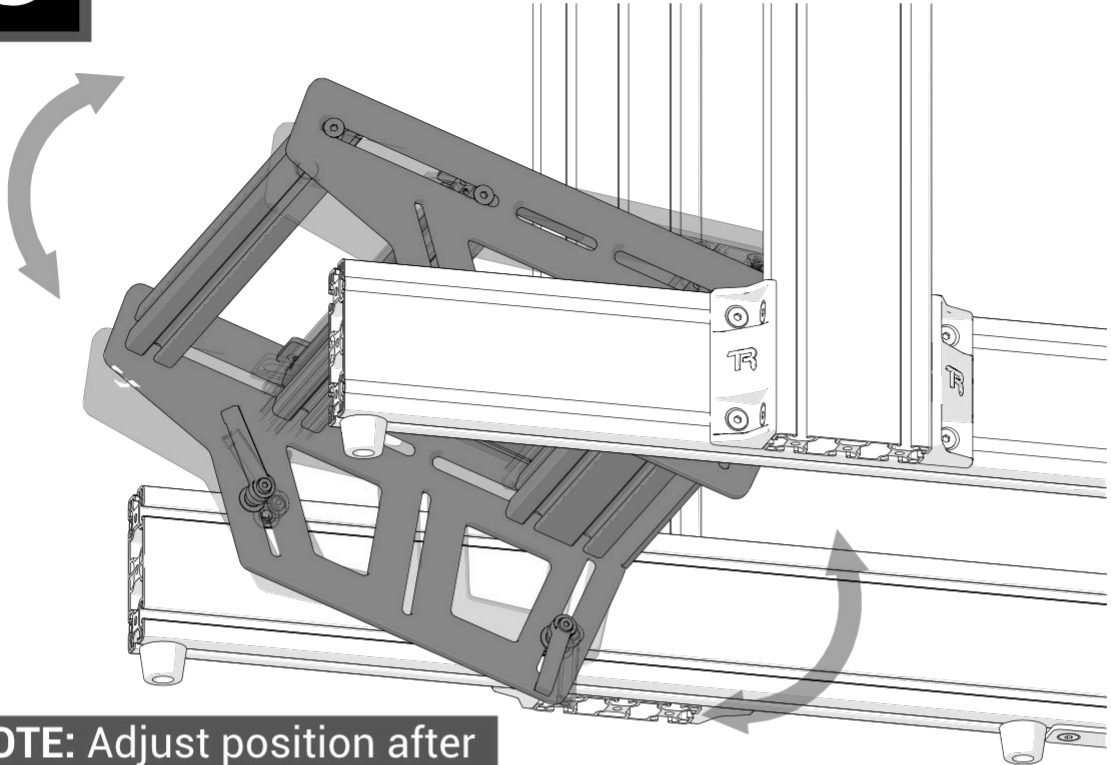


**NOTE:** Rotate to use upper or lower mount, choose 5a or 5b, then proceed.

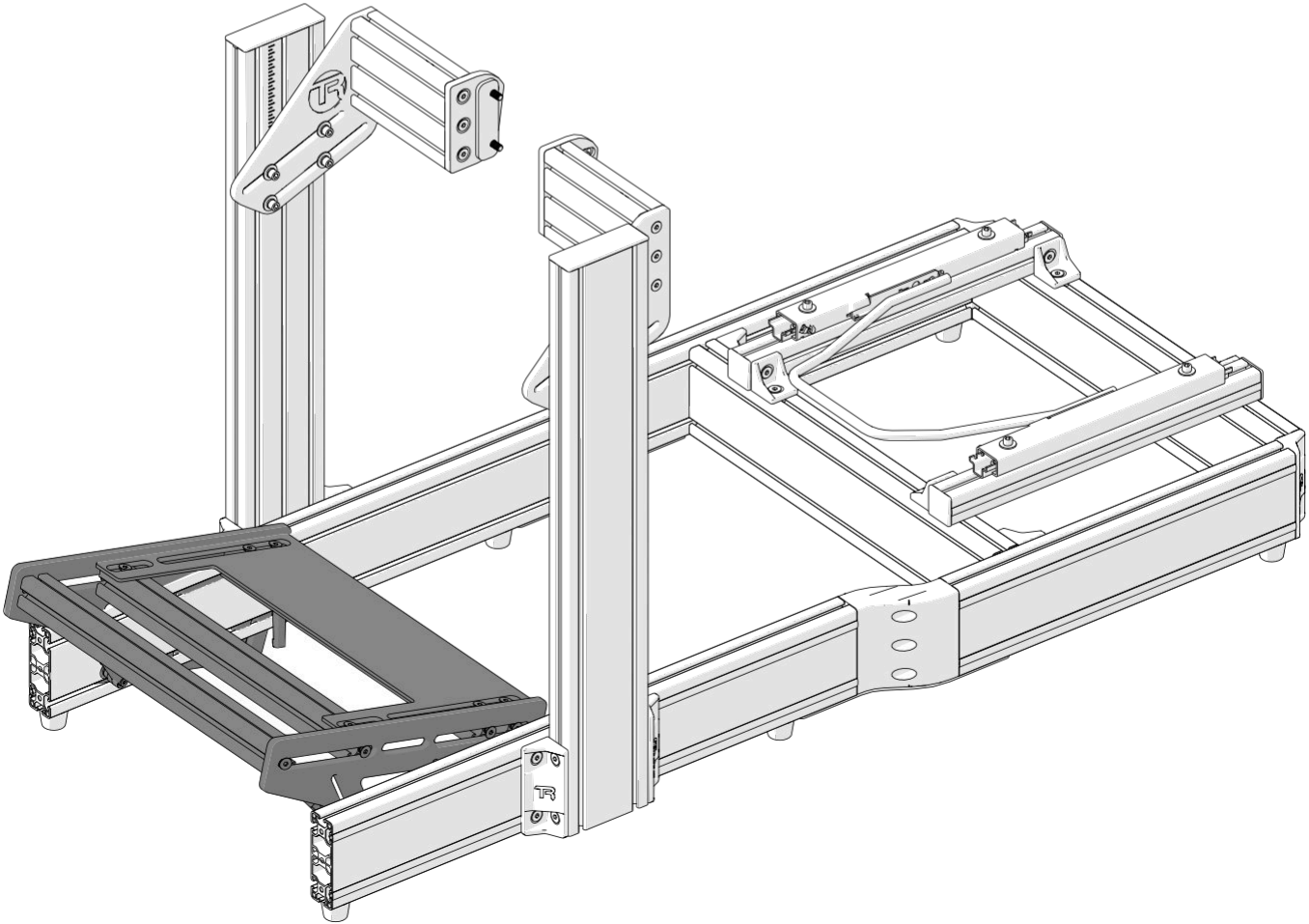
# 5b



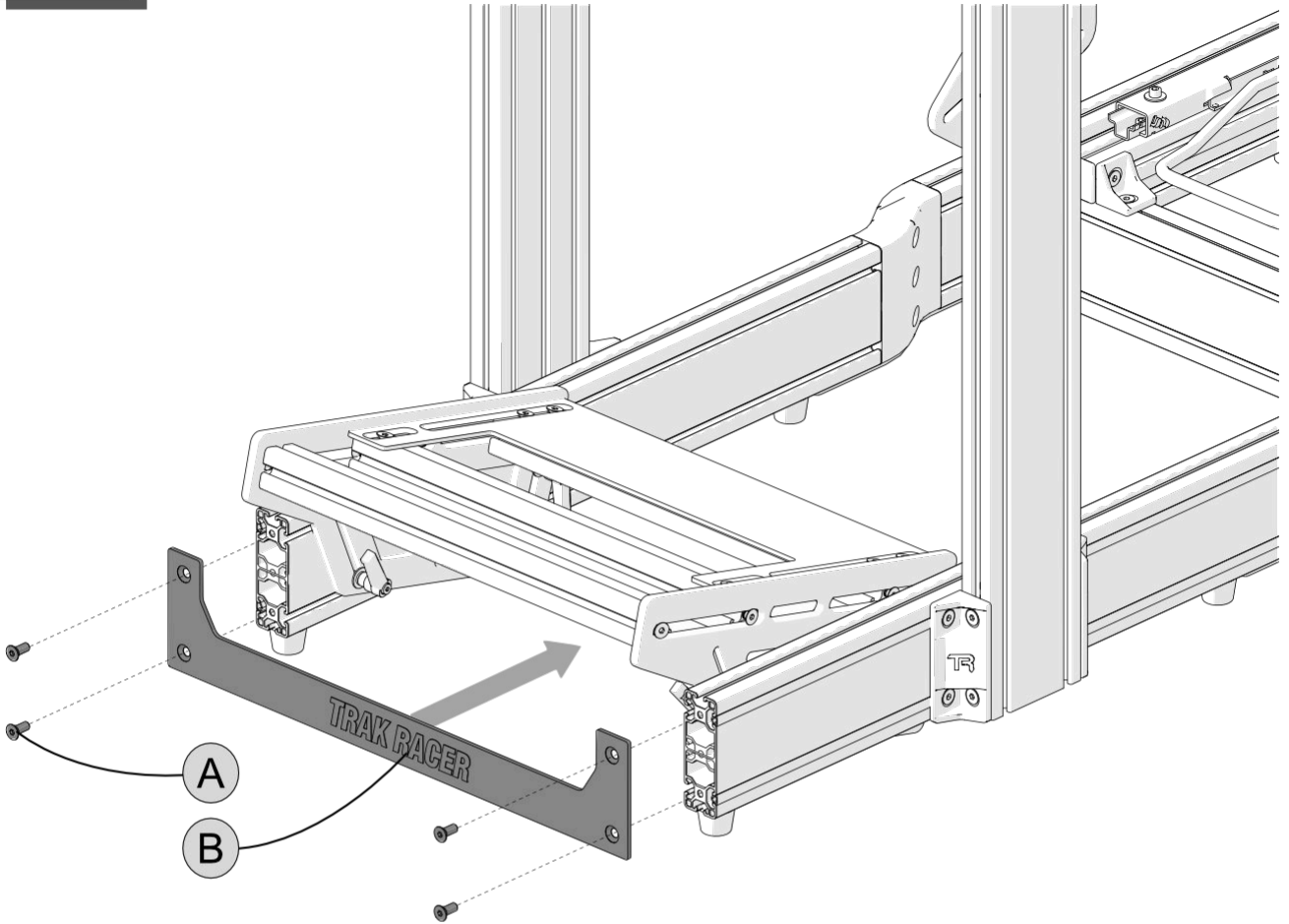
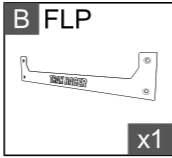
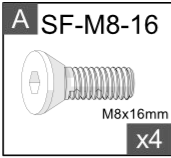
6



**NOTE:** Adjust position after pedal and seat installation.



# 7

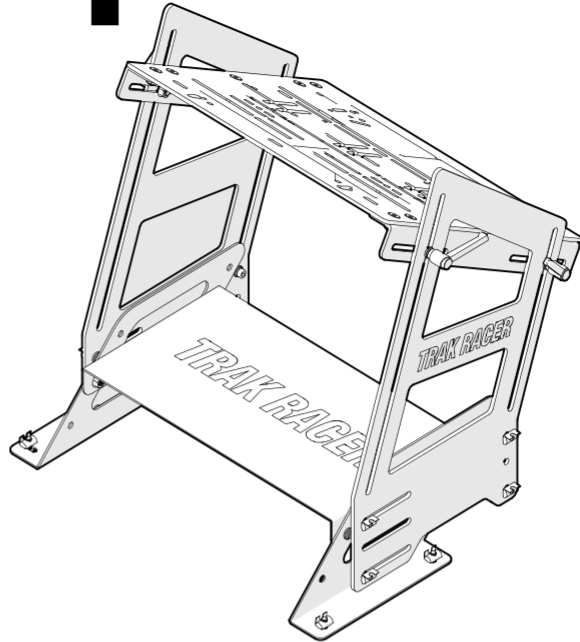


**NOTE:** After installing the pedal, proceed to page 31 for the wheel mount options.

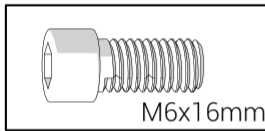
# Pedal Option 3



NOTE: Hardware to attach pedals to plate not included. Please use hardware included with your pedal set.

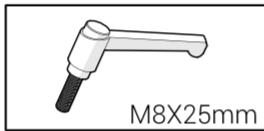


## PART LISTS



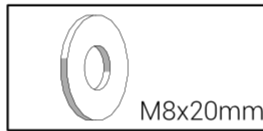
Hex Screw

SH-M6-16 x16



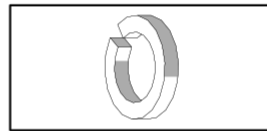
Handle Screw

SL-M8-25 x4



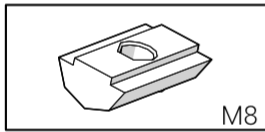
Washer (Flat)

WF-M8-20 x32



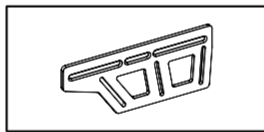
Washer (Lock), M8

WL-M8 x32



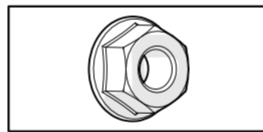
Ball Bearing Nut, M8

NS-M8 x4



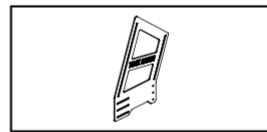
Pedal Side Plate

PP-NP x2



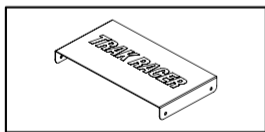
Flange Nut, M8

NF-M8 x22



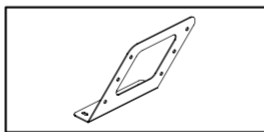
Pedal Side Plate

PP-IN-BR x2



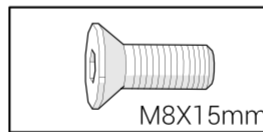
Pedal Top Plate

PP-IN-FR x1



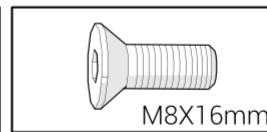
Pedal Side Plate 2

PP-IN-SM x2



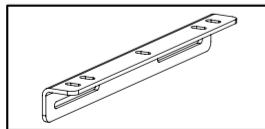
Screw (Flat)

SF-M8-15 x4



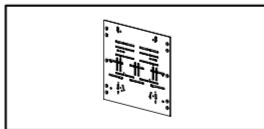
Screw (Flat)

SF-M8-16 x14



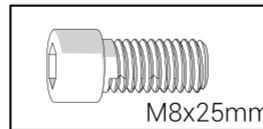
Corner Bracket

PP-NP-LB x2



Plate

PP-80-TP x1



Hex Screw

SH-M8-25 x16

\* NOTE: Extra hardware may be included as spare parts

# TR80-HYPL



# TRAK RACER

Published 2024-10-5

# 1

- A** SH-M8-20  


- B** NS-M8  

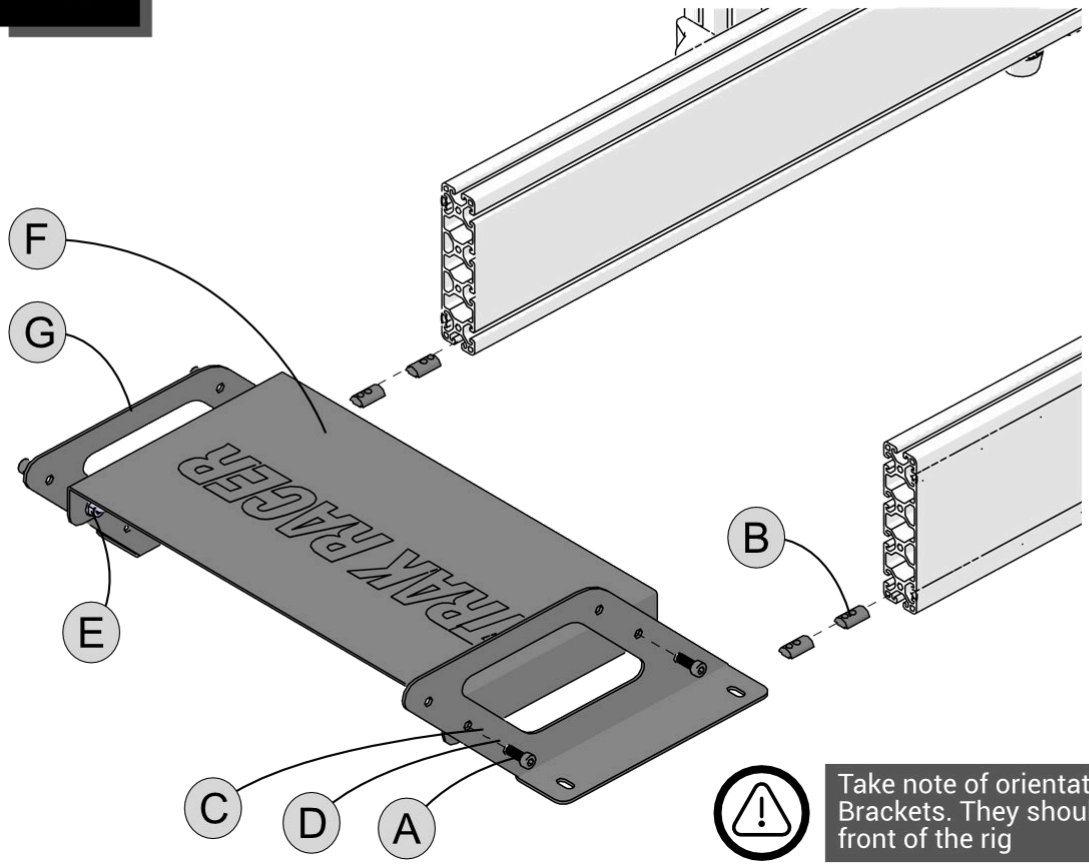
- C** WF-M8-20  

- D** WL-M8  

- E** NF-M8  

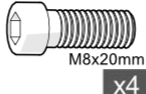
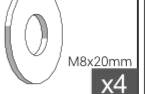

- F** PP-IN-FR  

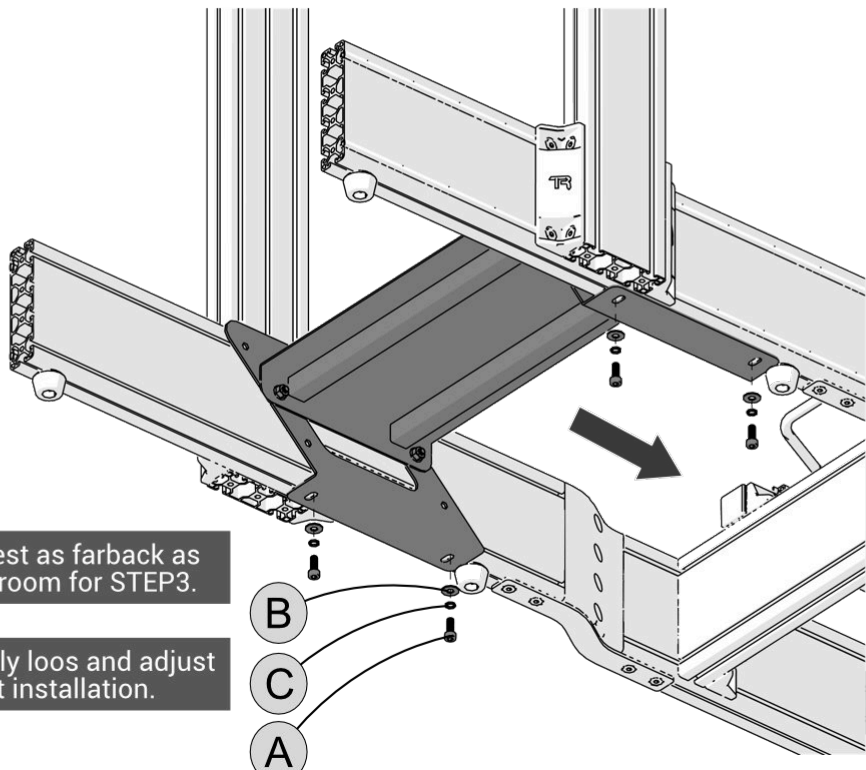

- G** PP-IN-SM  




Take note of orientation of PP-IN-SM Brackets. They should slope towards front of the rig

# 2

- A** SH-M8-20  

- B** WF-M8-20  

- C** WL-M8  


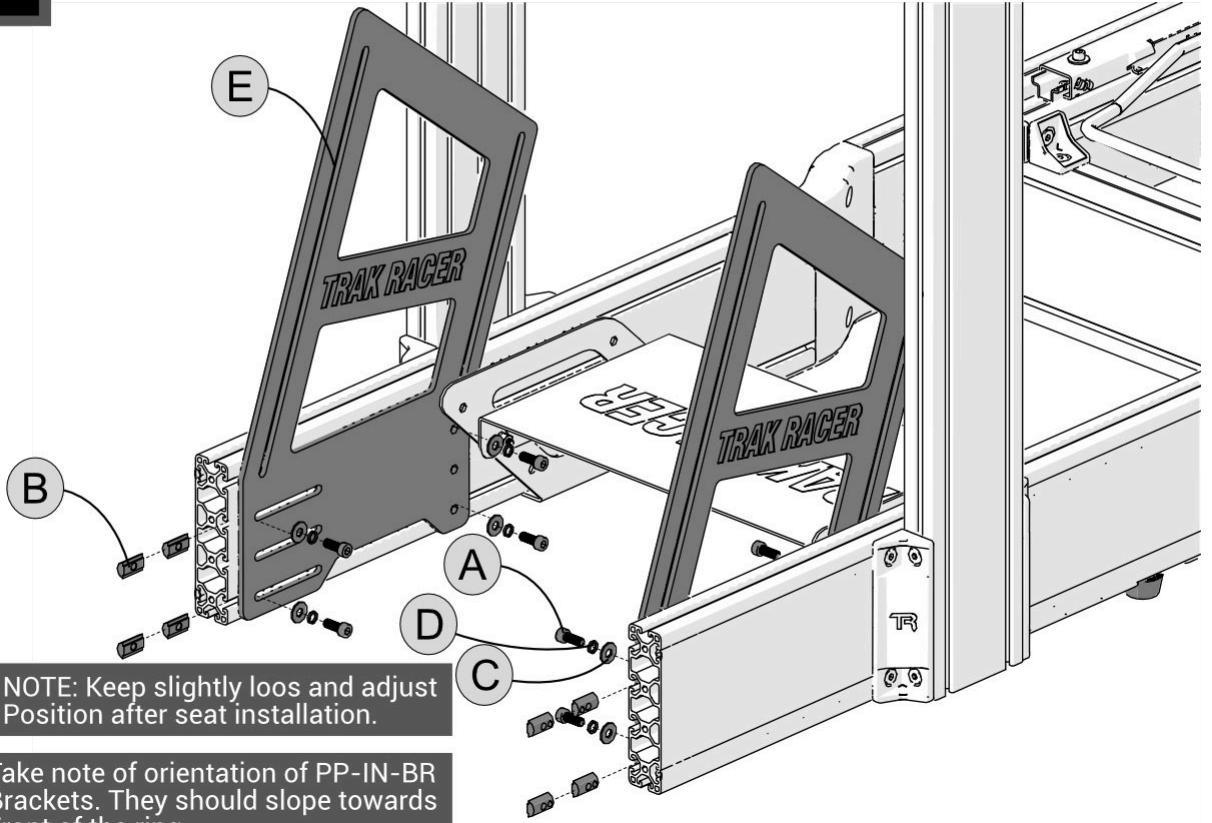
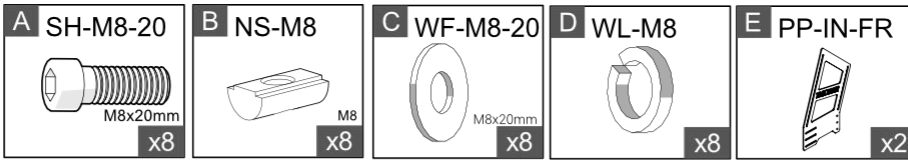


NOTE: Push footrest as farback as Possible to make room for STEP3.



NOTE: Keep slightly loos and adjust Position after seat installation.

# 3

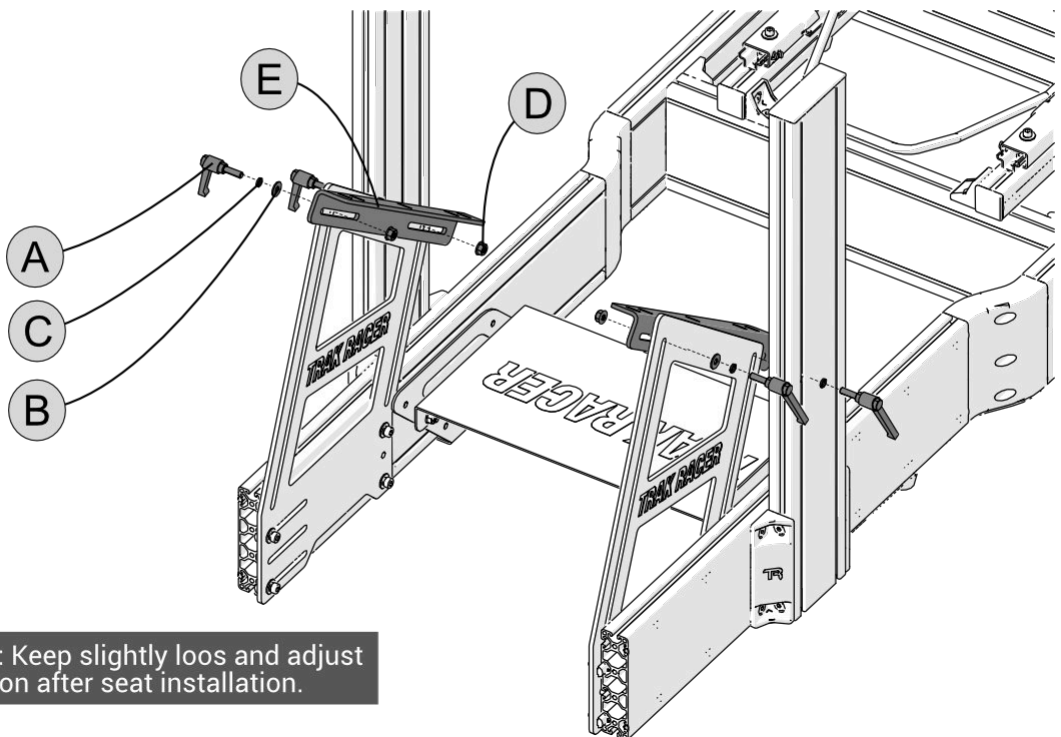


NOTE: Keep slightly loos and adjust Position after seat installation.



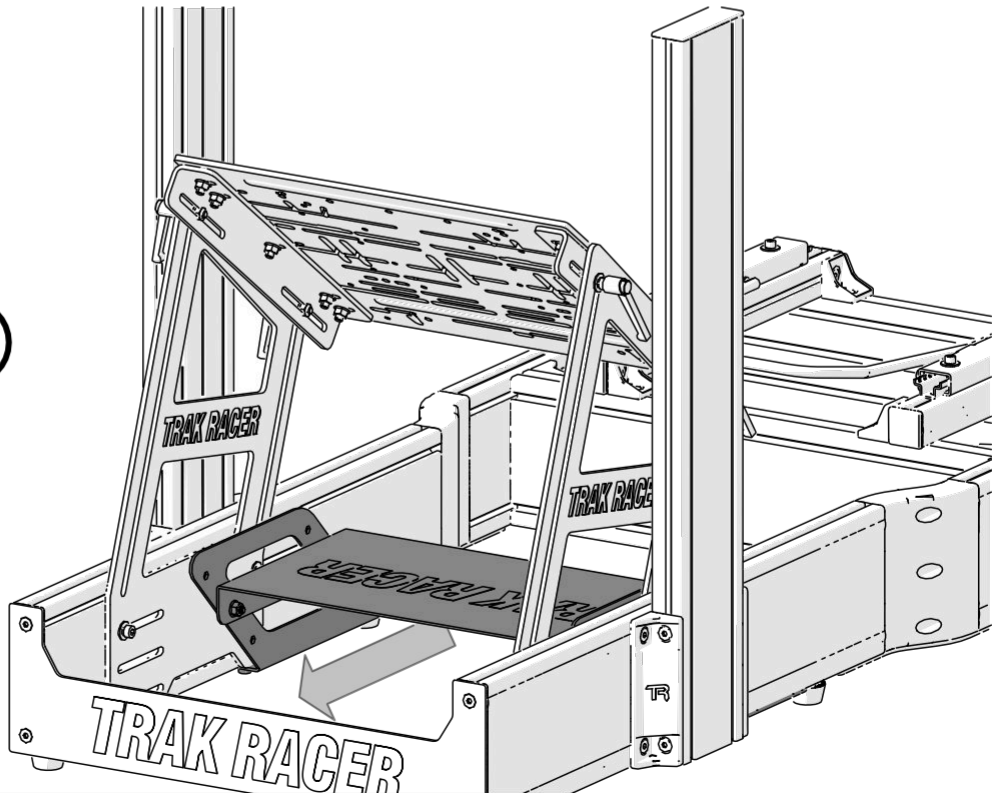
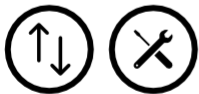
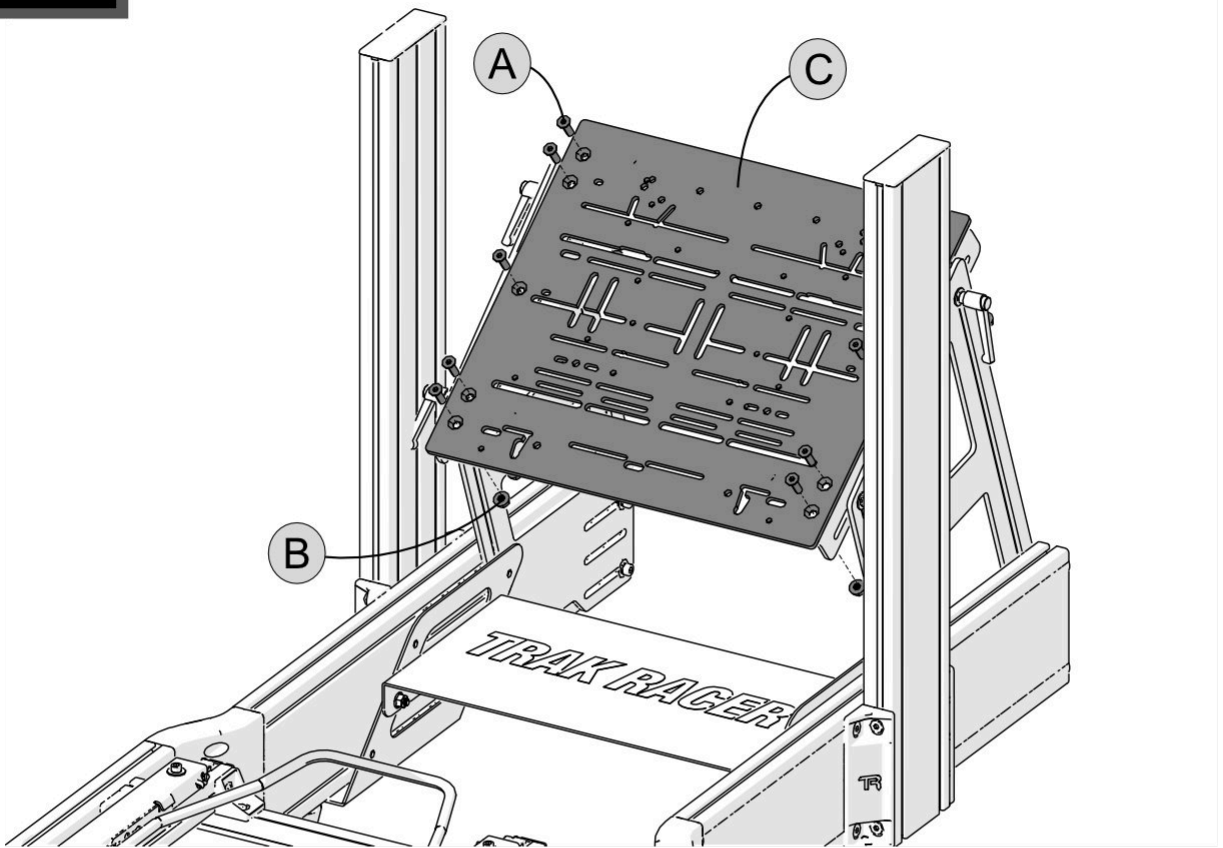
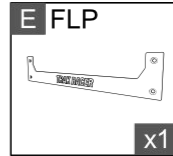
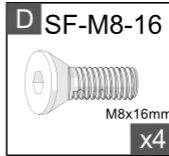
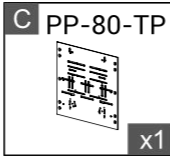
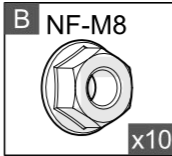
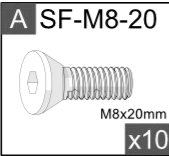
Take note of orientation of PP-IN-BR Brackets. They should slope towards Front of the ring.

# 4



NOTE: Keep slightly loos and adjust Position after seat installation.

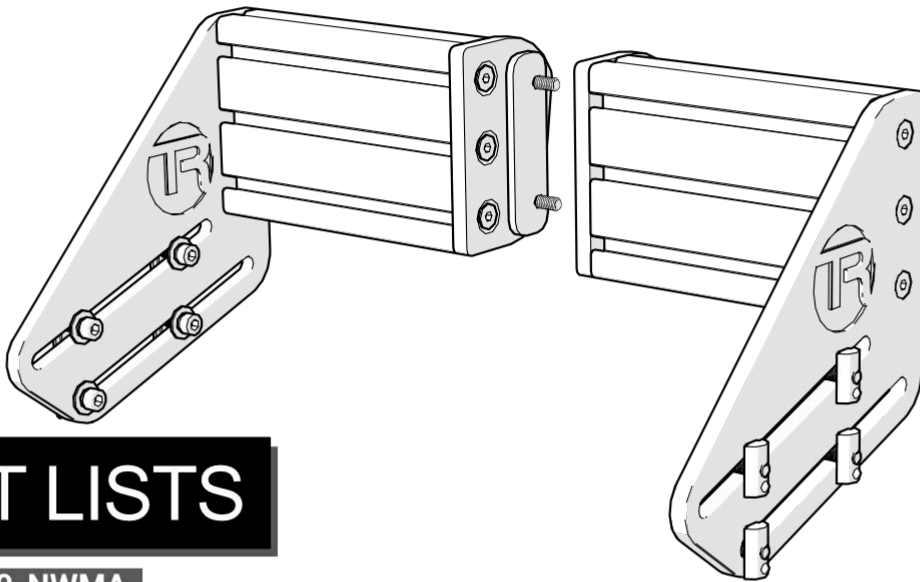
# 5



**NOTE:** After installing the pedal, proceed to page 31 for the wheel mount options.

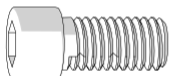
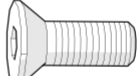


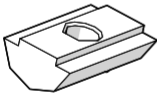




# Wheel Mount Option 1

Fanatec Direct Drive Mount



## PART LISTS

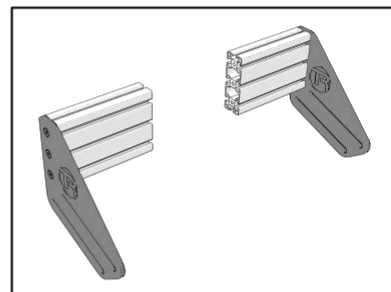
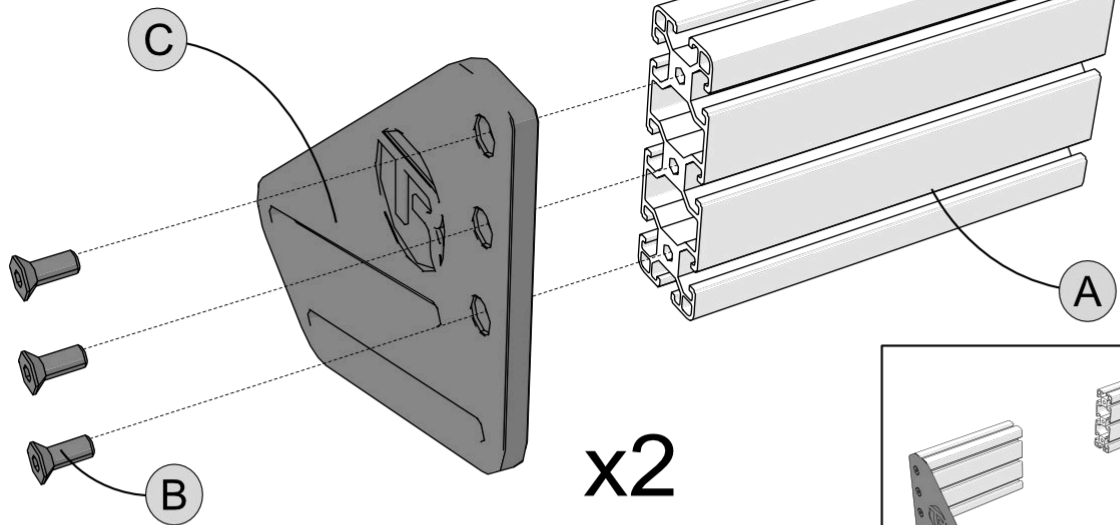
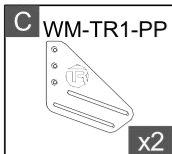
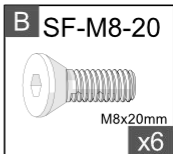
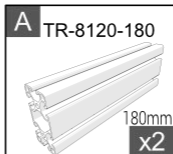
BOX #: TR80-NWMA

 M8x25mm	 M8X20mm	 M8x20mm	
Hex Screw SH-M8-25	Screw (Flat) SF-M8-20	Washer (Flat) WF-M8-20	Washer (Lock), M8 WL-M8
x12	x12	x8	x8
 M8			
Ball Bearing Nut, M8 NS-M8	Wheel Mount Side WM-TR1_FN	Wheel Mount Plate WM-TR1-PP	Wheel Mount Plate 2 WM-TR1-WP
x8	x2	x2	x2
			
Aluminum Profile TR-8120-180			
x2			

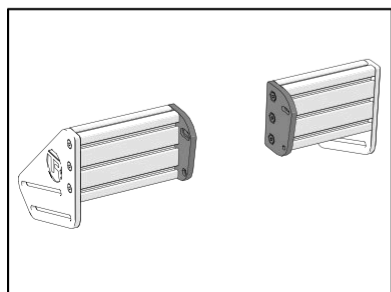
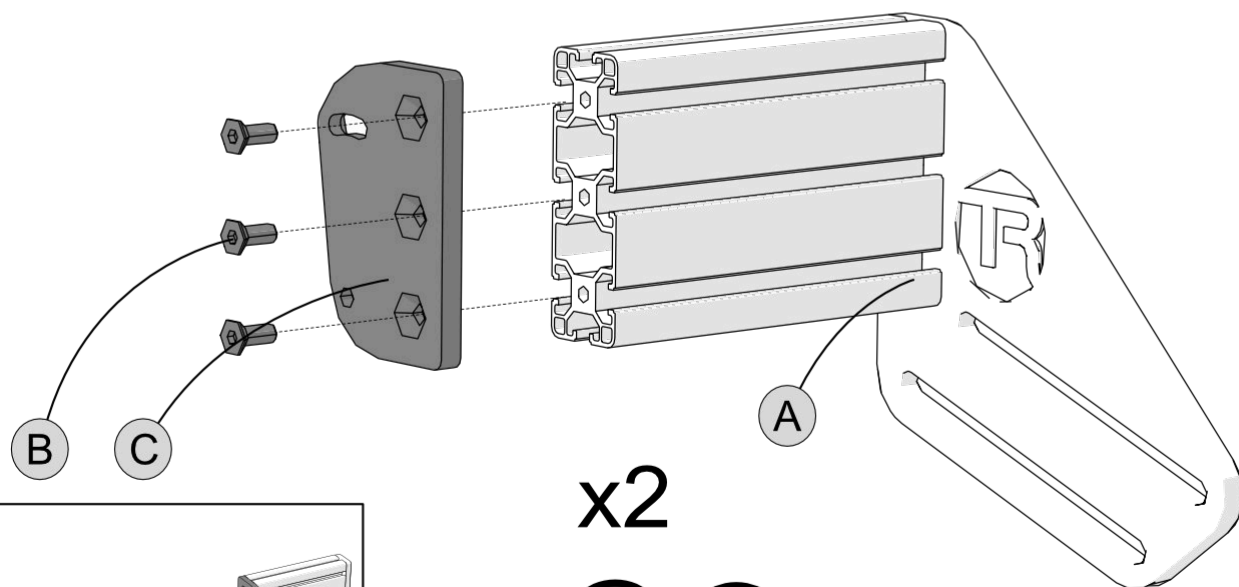
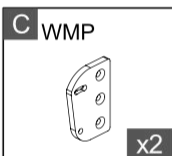
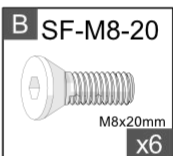
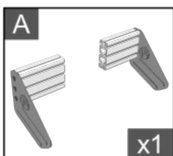
\* **NOTE:** Extra hardware may be included as spare parts

# TR80-NWMA

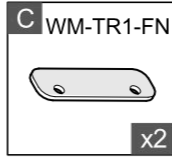
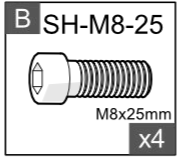
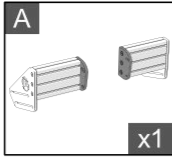
# 1



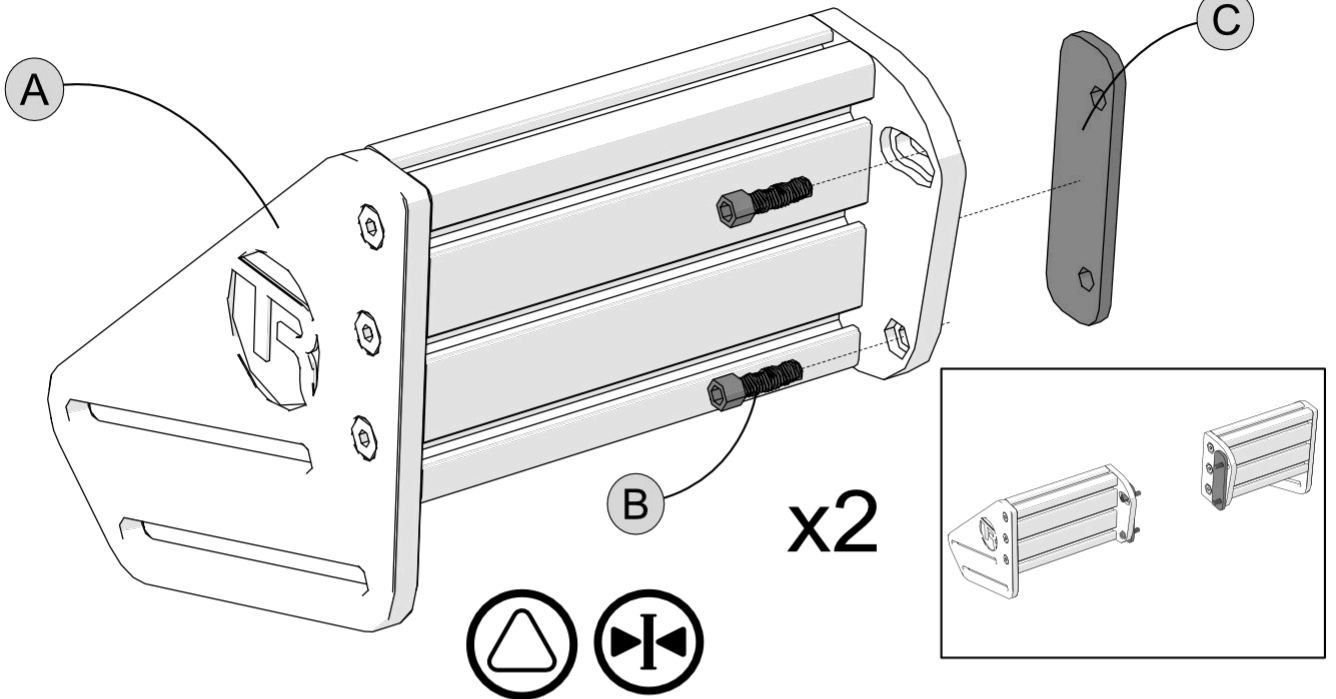
# 2



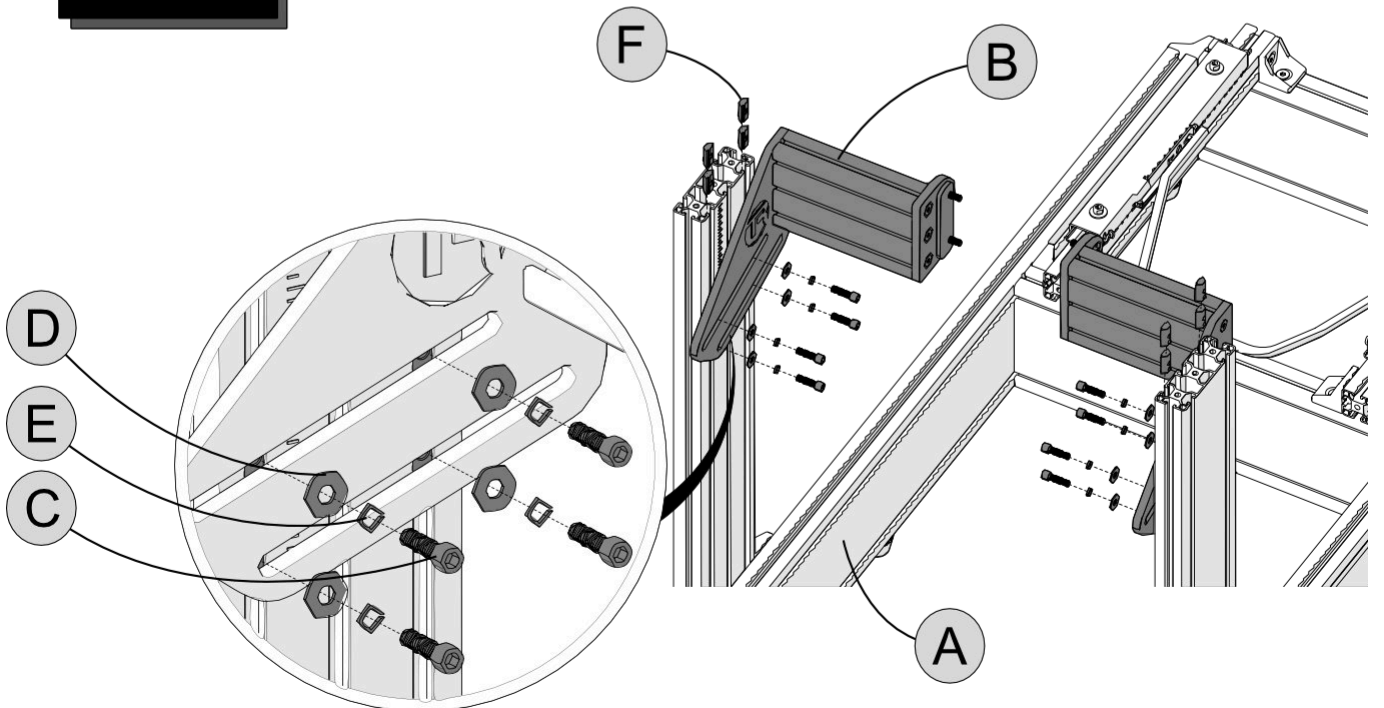
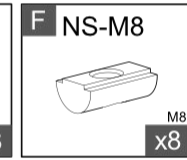
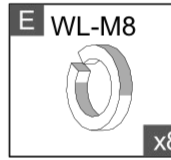
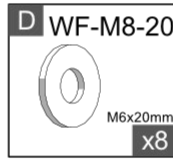
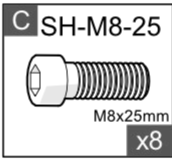
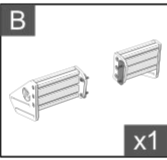
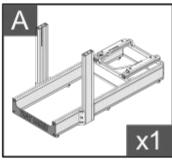
# 3



Note: Thread screws just enough to hold WM-TR1-FN in place so screws do not protrude past WM-TR1-FN plate.

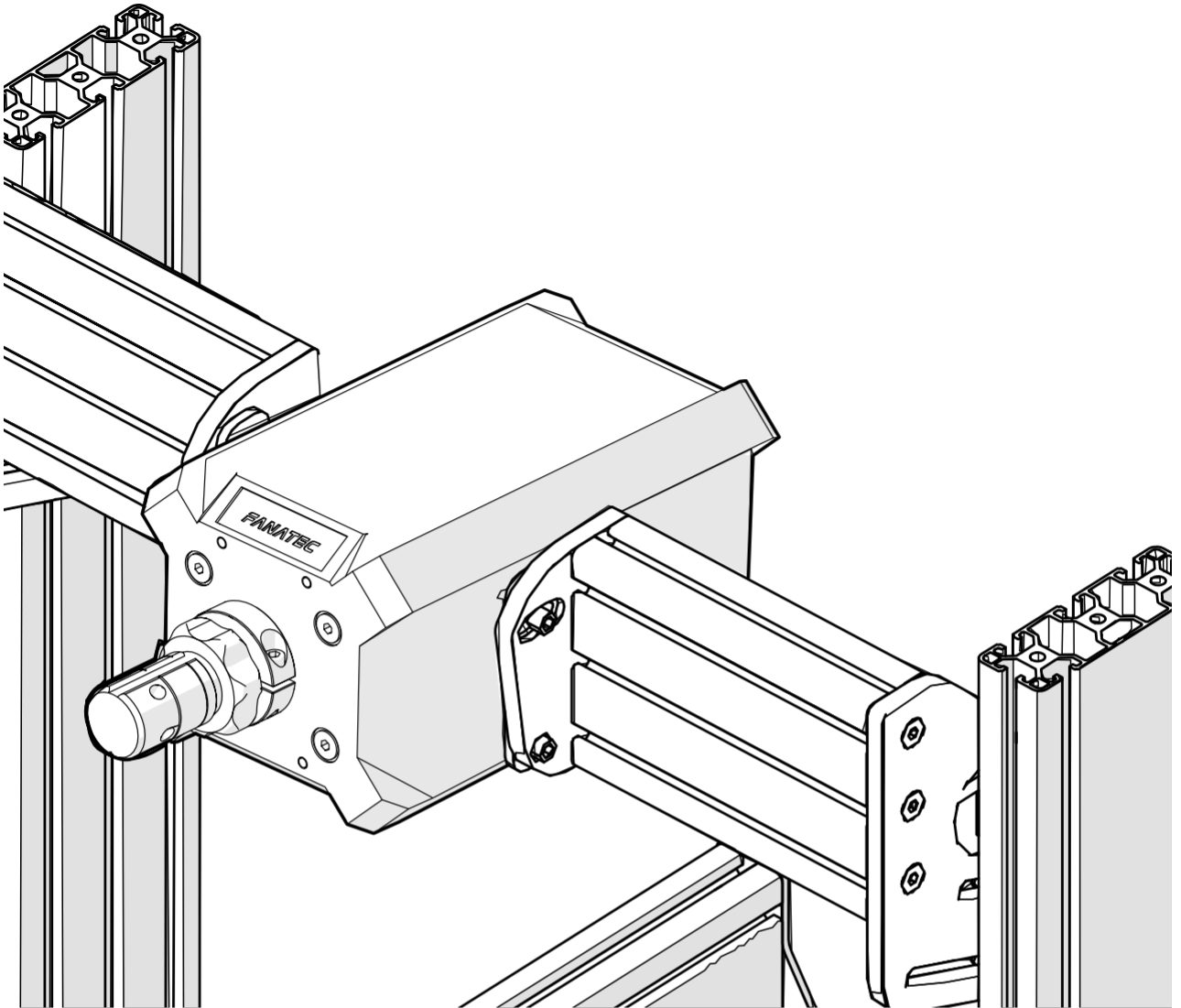


# 4



NOTE: Adjust position after wheelbase and seat installation





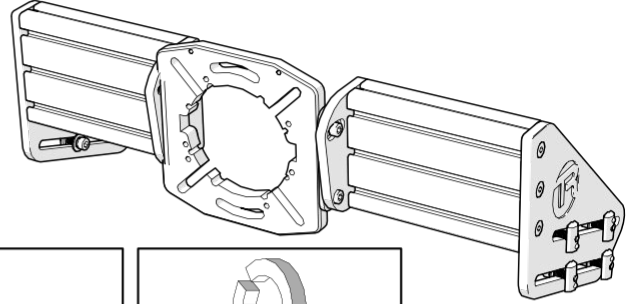
Note: For Fanatec CSL DD  
use WM-TR1-FN x 4

**NOTE:** After installing the pedal, proceed  
to page 43 for the shifter options.

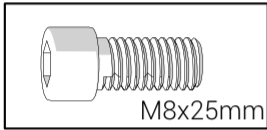
# Wheel Mount Option 2

Universal Direct Drive Mount

## PART LISTS



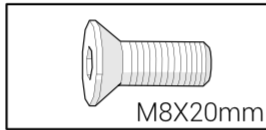
### BOX #: TR80-NWMA



Hex Screw

SH-M8-25

x12



Screw (Flat)

SF-M8-20

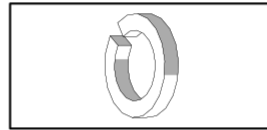
x12



Washer (Flat)

WF-M8-20

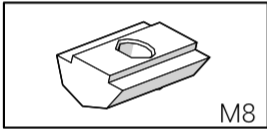
x8



Washer (Lock), M8

WL-M8

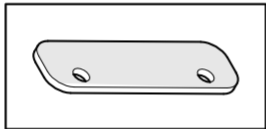
x8



Ball Bearing Nut, M8

NS-M8

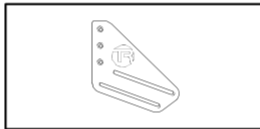
x8



Wheel Mount Side

WM-TR1\_FN

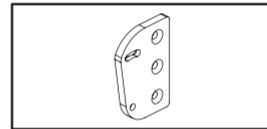
x2



Wheel Mount Plate

WM-TR1-PP

x2



Wheel Mount Plate 2

WM-TR1-WP

x2

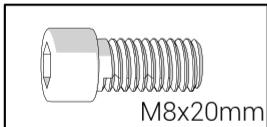


Aluminum Profile

TR-8120-180

x2

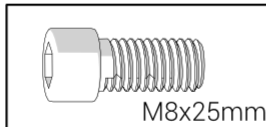
### BOX #: TR80-NWMDD



Hex Screw

SH-M8-20

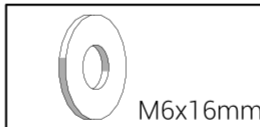
x4



Hex Screw

SH-M8-25

x12



Washer (Flat)

WF-M6-16

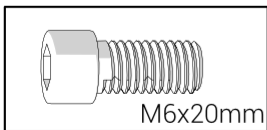
x2



Washer (Flat)

WF-M8-20

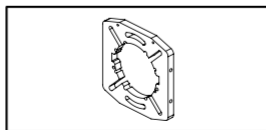
x4



Hex Screw

SH-M6-20

x2



Wheel Mount Drive Plate

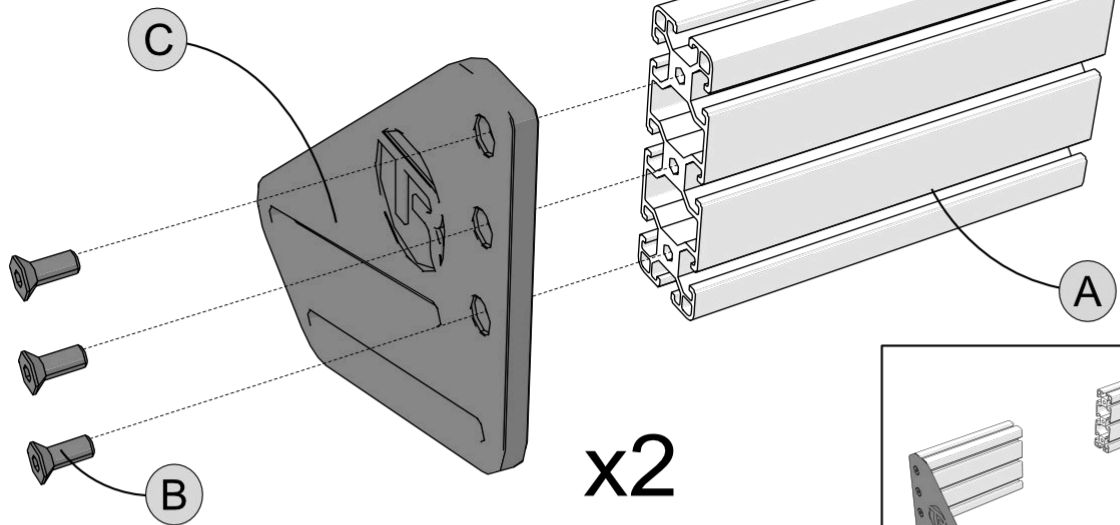
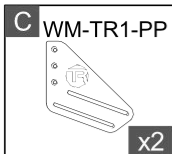
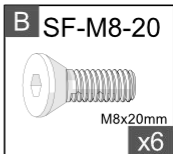
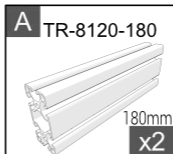
WM-DD

x1

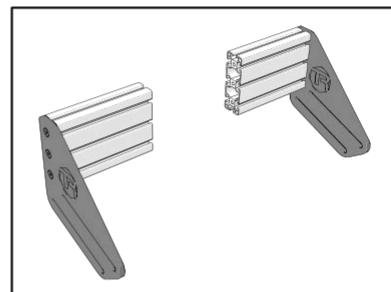
\* NOTE: Extra hardware may be included as spare parts

TR80-NWMA + TR80-NWMDD

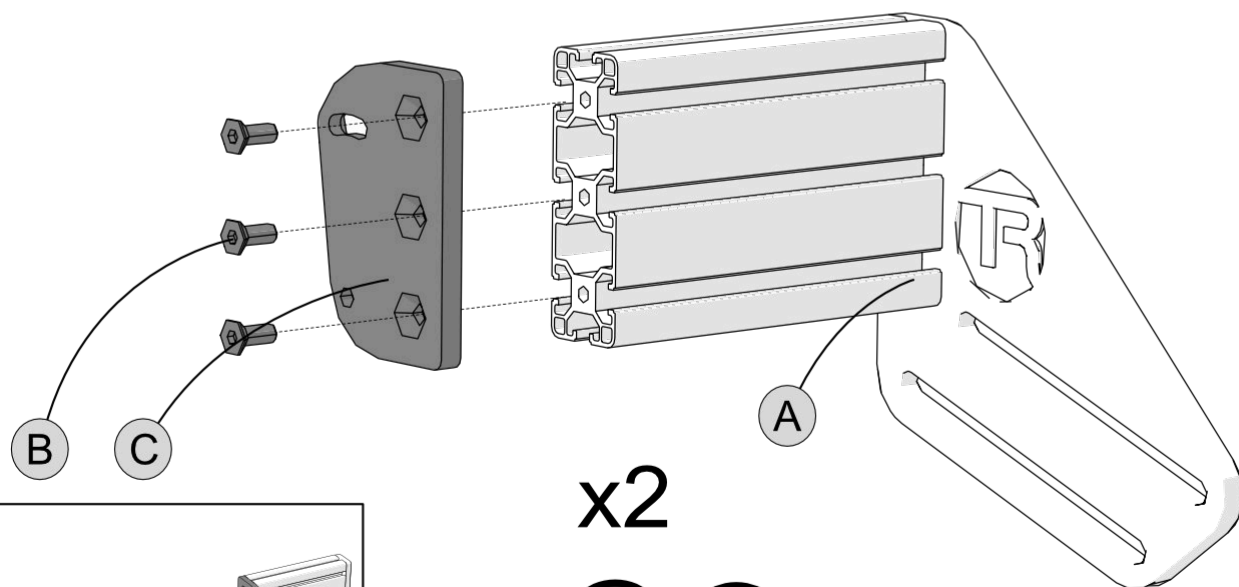
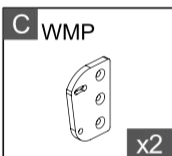
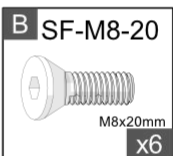
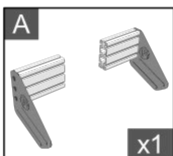
# 1



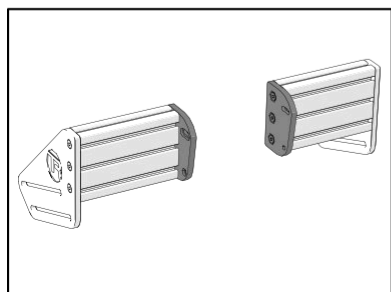
x2



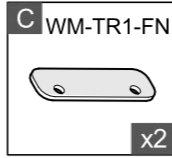
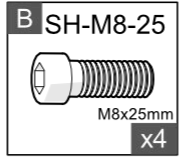
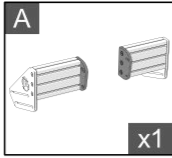
# 2



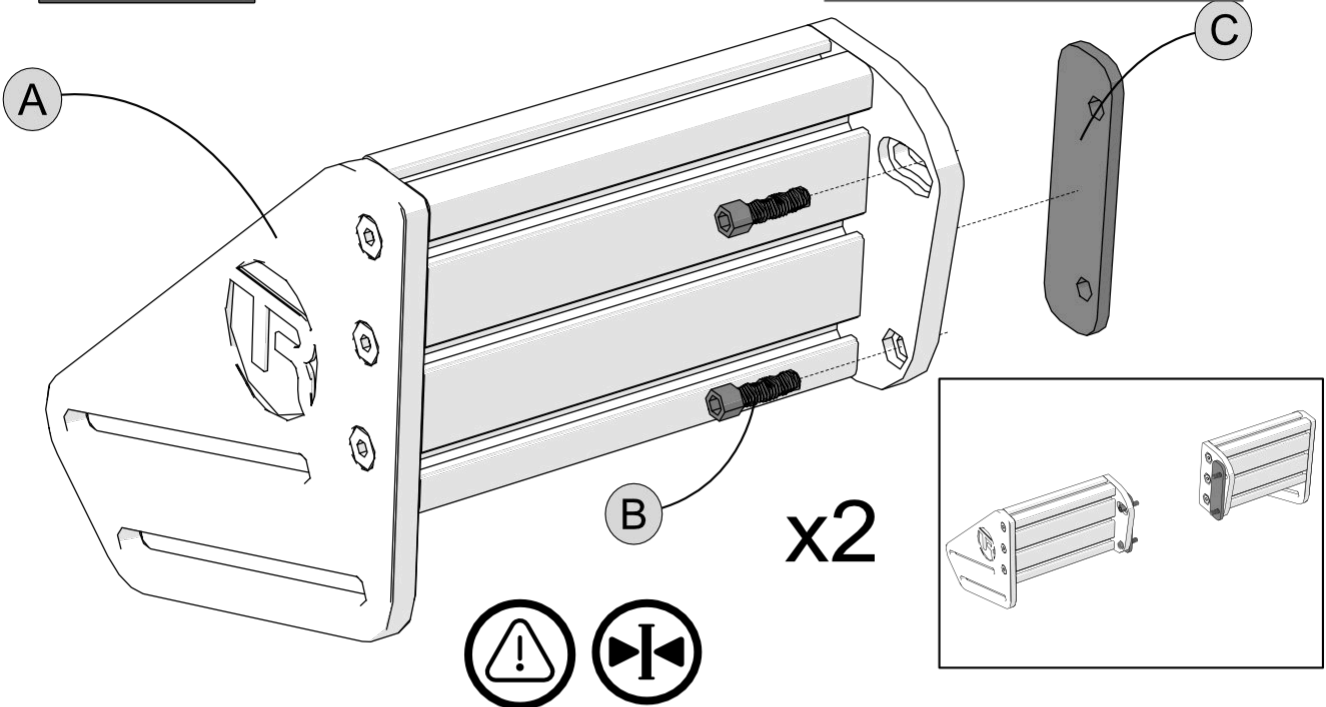
x2



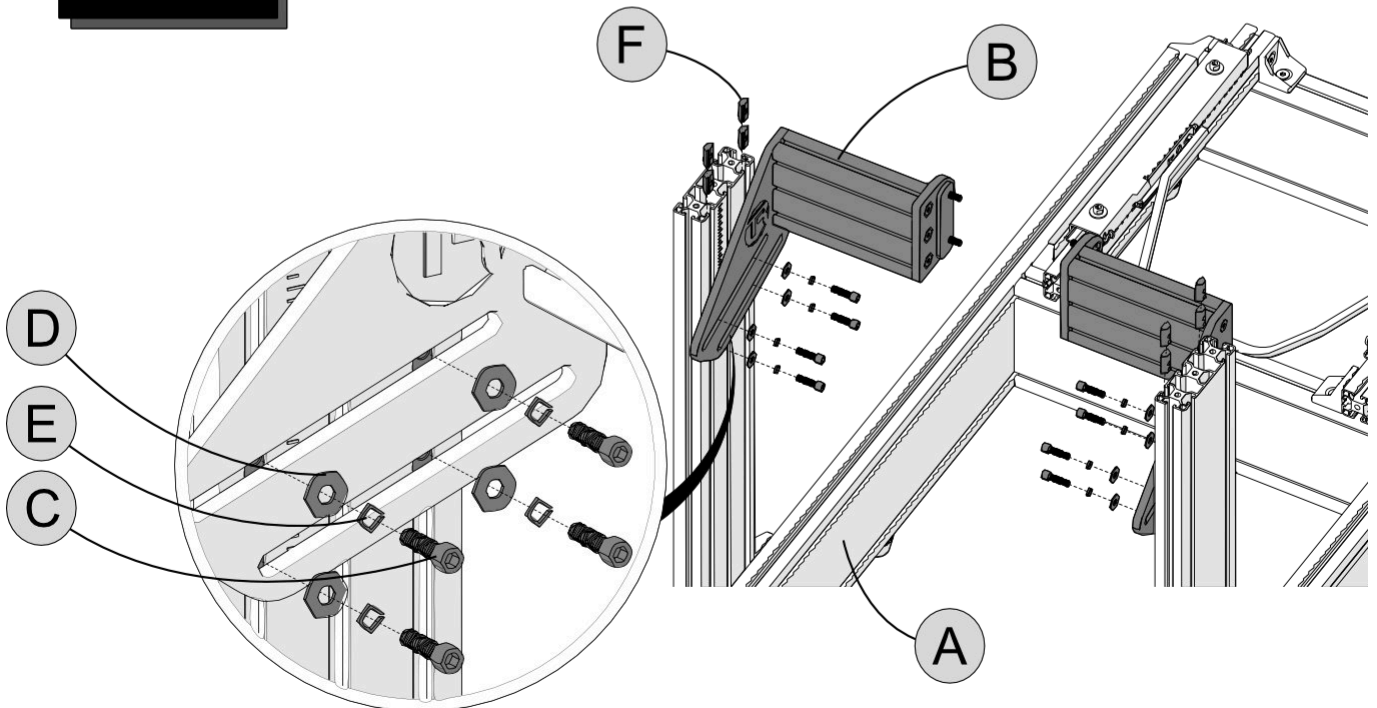
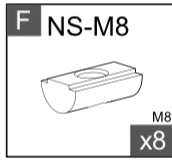
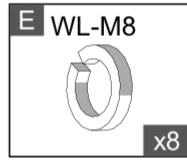
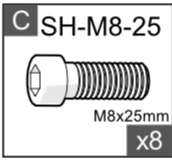
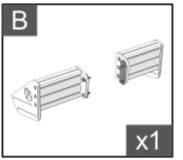
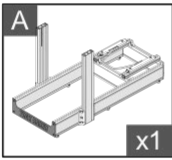
# 3



Note: Thread screws just enough to hold WM-TR1-FN in place so screws do not protrude past WM-TR1-FN plate.



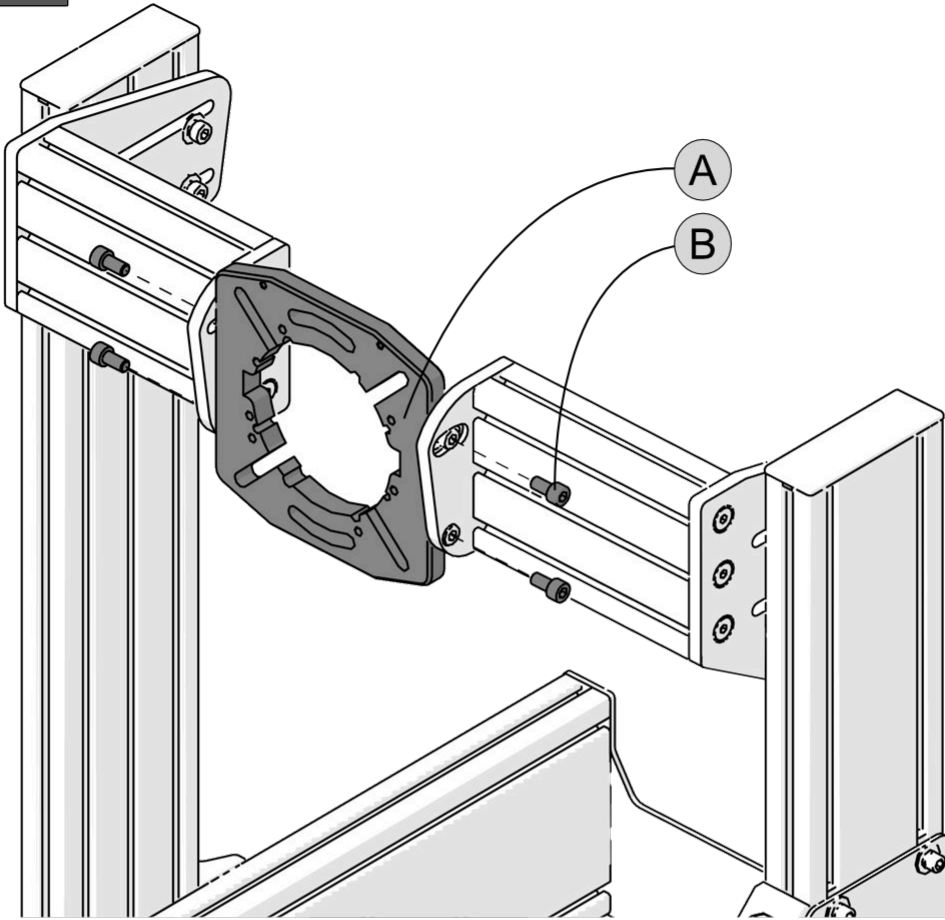
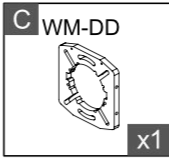
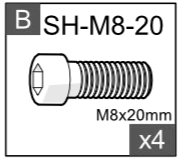
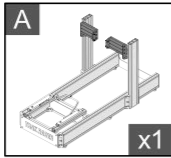
# 4



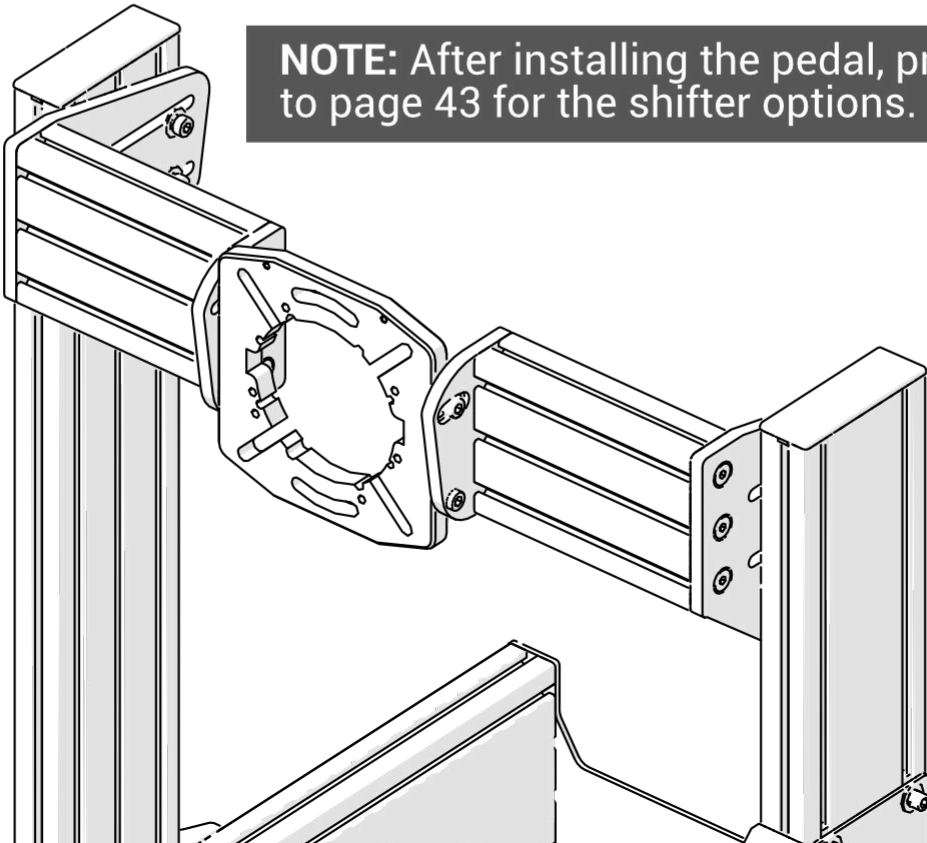
NOTE: Adjust position after wheelbase and seat installation



# 5

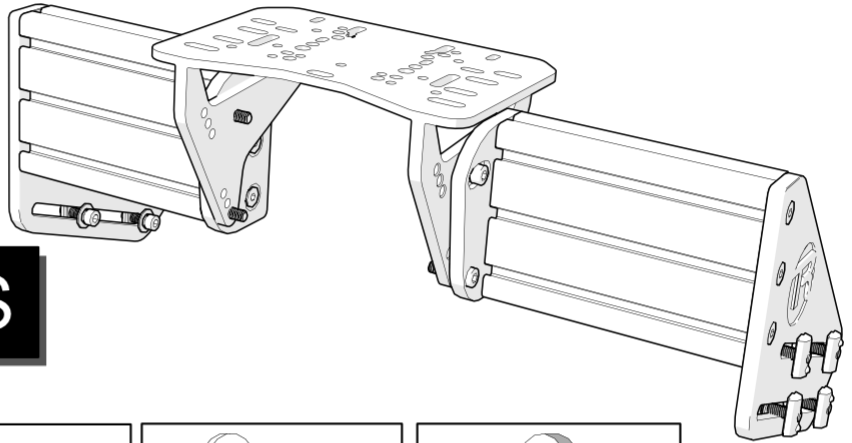


**NOTE:** After installing the pedal, proceed to page 43 for the shifter options.



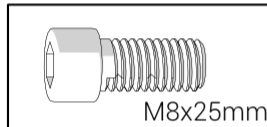
# Wheel Mount Option 3

Universal Wheel Deck



## PART LISTS

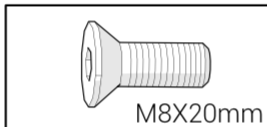
**BOX #: TR80-NWMA**



Hex Screw

SH-M8-25

x12



Screw (Flat)

SF-M8-20

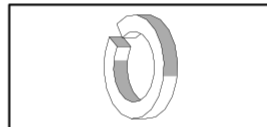
x12



Washer (Flat)

WF-M8-20

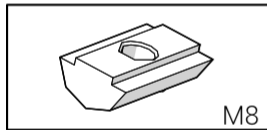
x8



Washer (Lock), M8

WL-M8

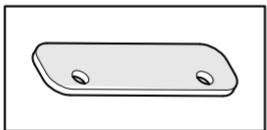
x8



Ball Bearing Nut, M8

NS-M8

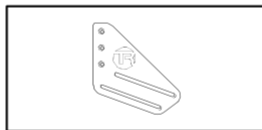
x8



Wheel Mount Side

WM-TR1\_FN

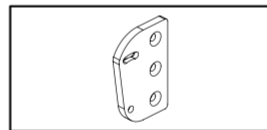
x2



Wheel Mount Plate

WM-TR1-PP

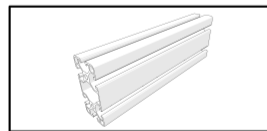
x2



Wheel Mount Plate 2

WM-TR1-WP

x2



Aluminum Profile

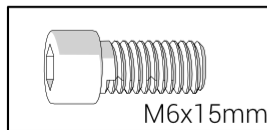
TR-8120-180

x2

\* NOTE: Extra hardware may be included as spare parts

\*\* NOTE: Depending on your region, you may receive WM-WM4 or WM-WM5

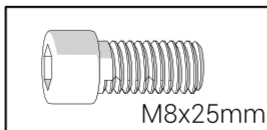
**BOX #: TR80-NWM4**



Hex Screw

SH-M6-15

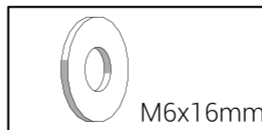
x4



Hex Screw

SH-M8-25

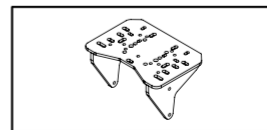
x4



Washer (Flat)

WF-M6-16

x4



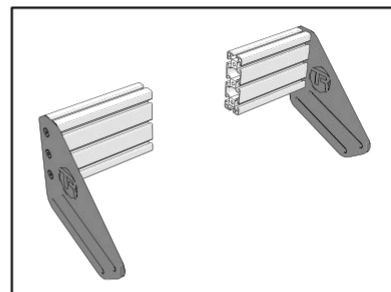
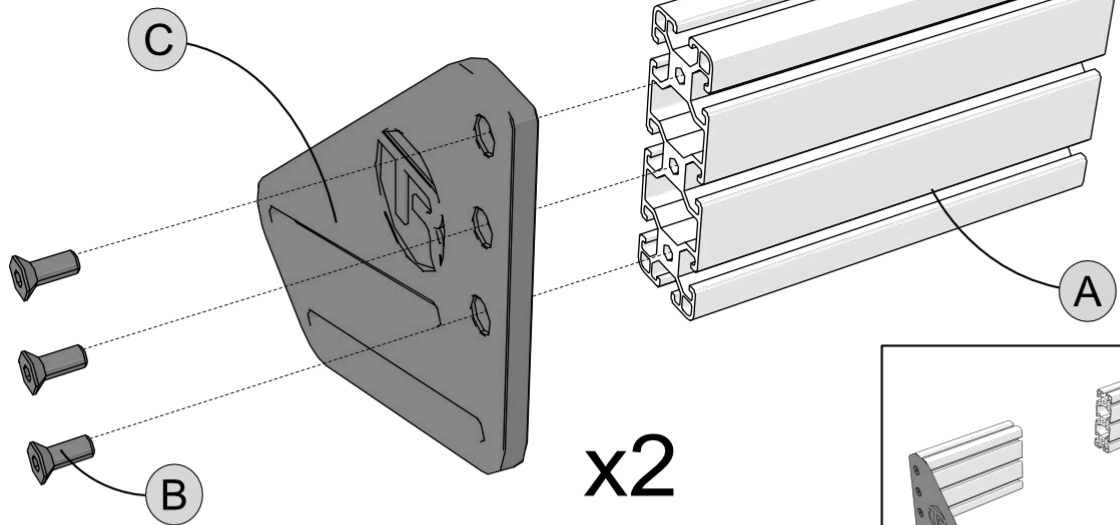
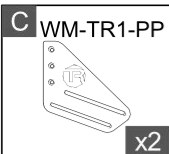
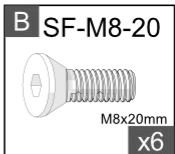
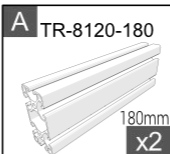
Wheel Mount Deck Plate

WM-WM4/5

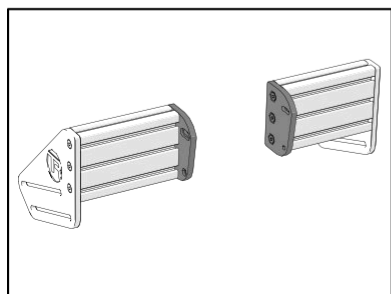
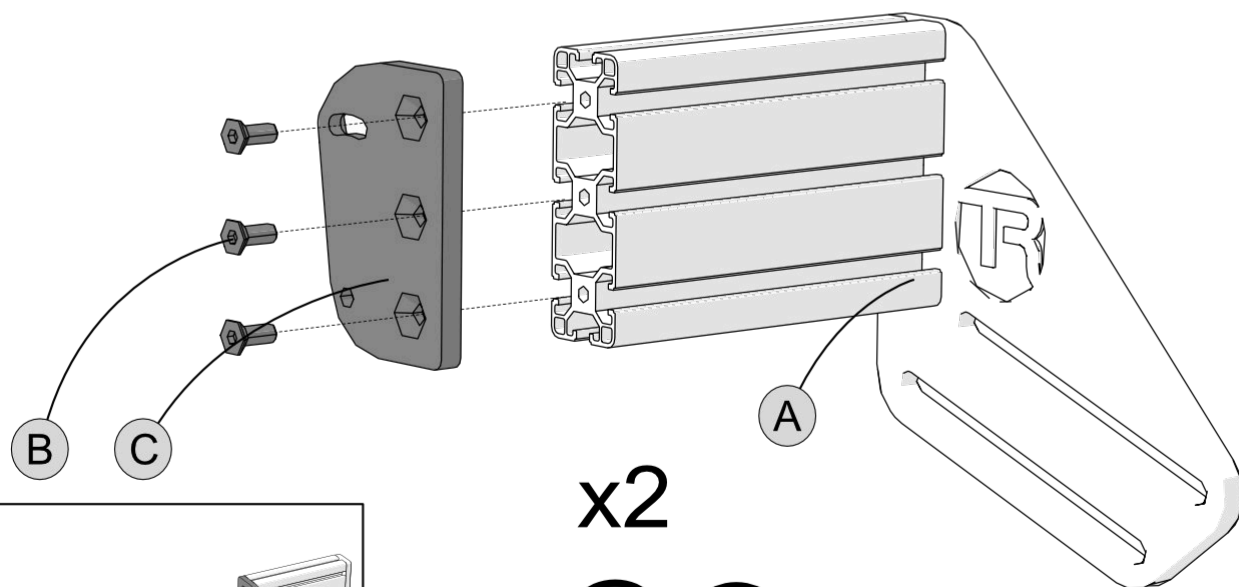
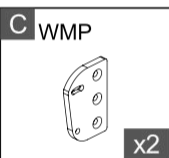
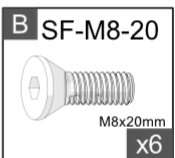
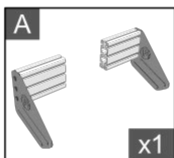
x1

TR80-NWMA + TR80-NWMDD

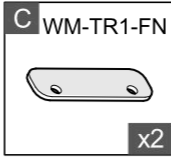
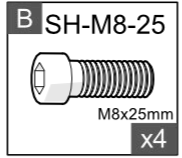
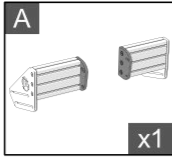
# 1



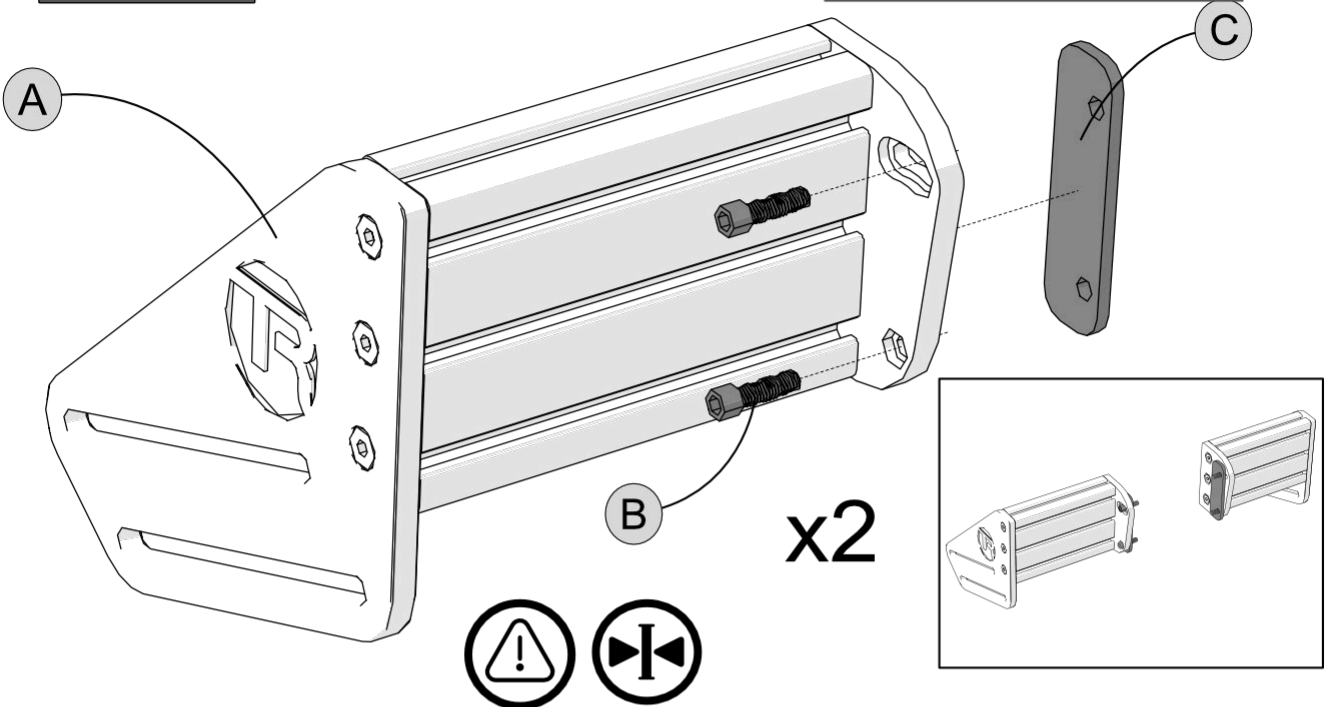
# 2



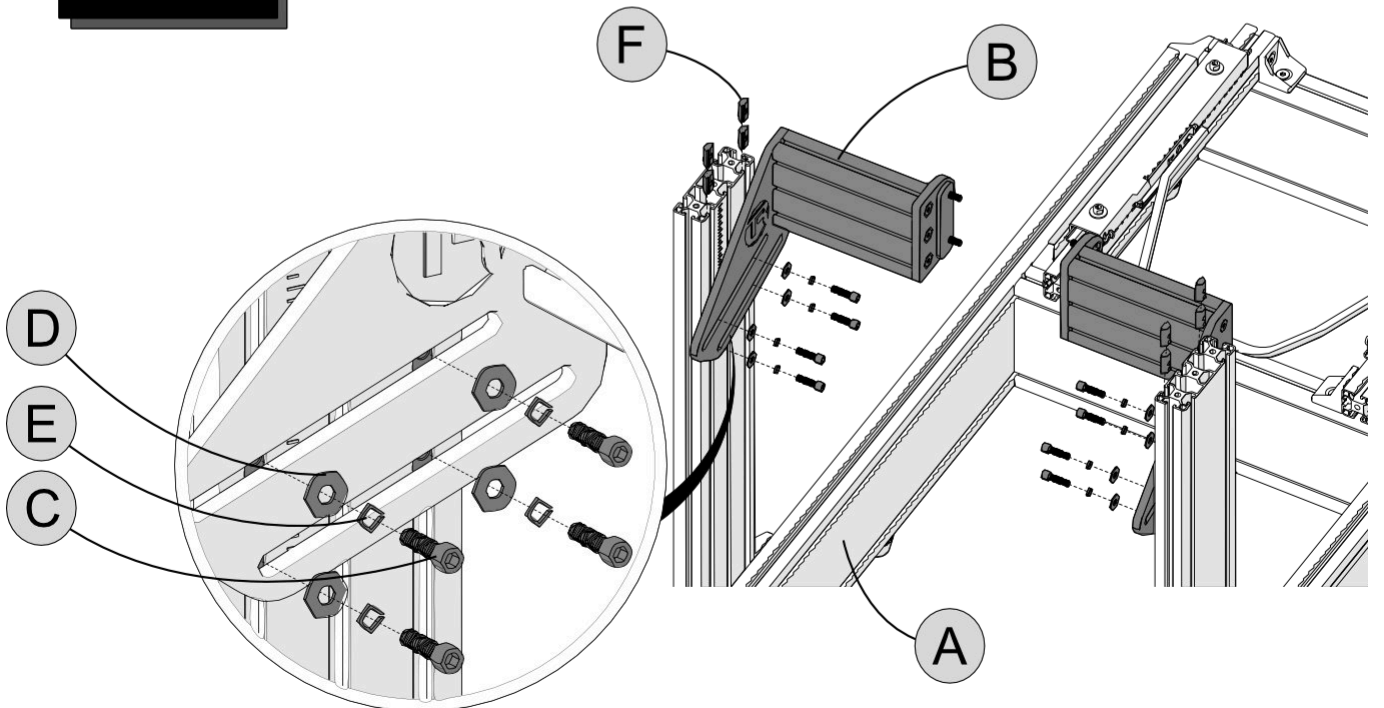
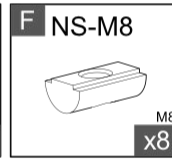
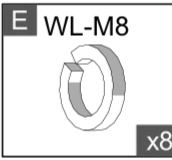
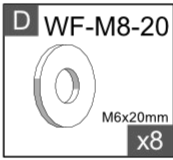
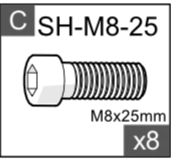
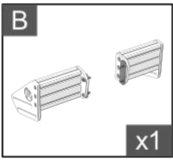
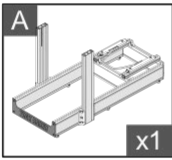
# 3



Note: Thread screws just enough to hold WM-TR1-FN in place so screws do not protrude past WM-TR1-FN plate.



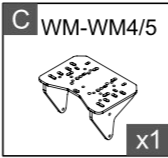
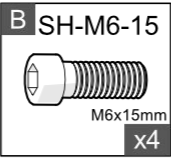
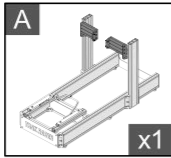
# 4



NOTE: Adjust position after wheelbase and seat installation

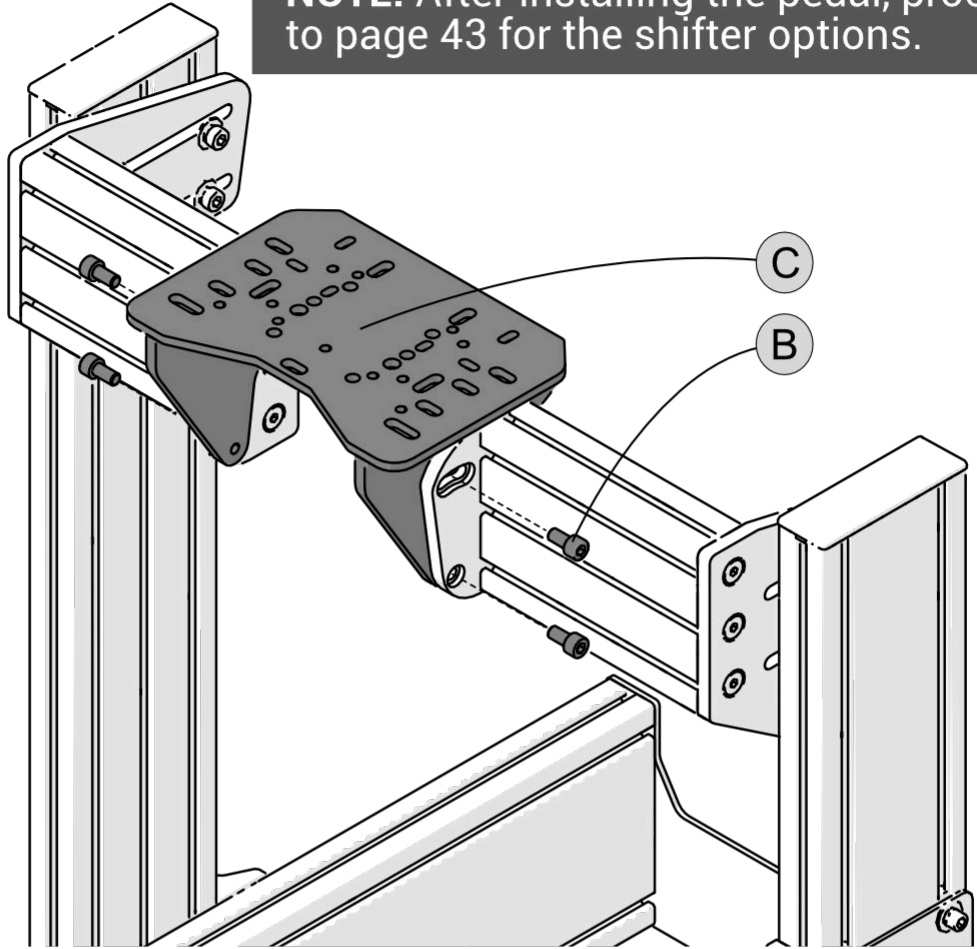


# 5

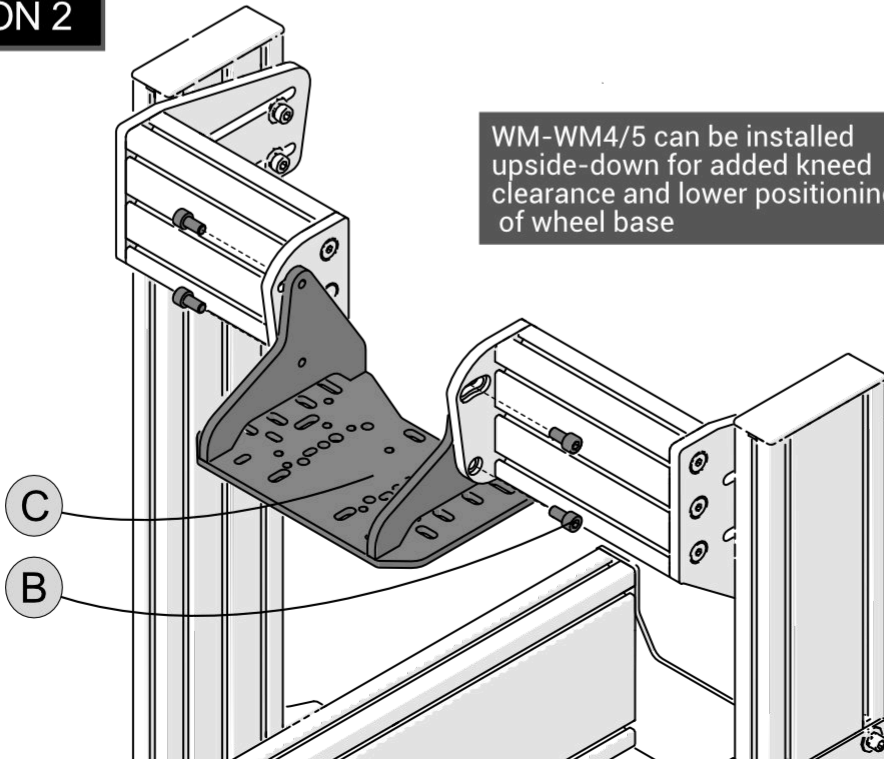


**NOTE:** After installing the pedal, proceed to page 43 for the shifter options.

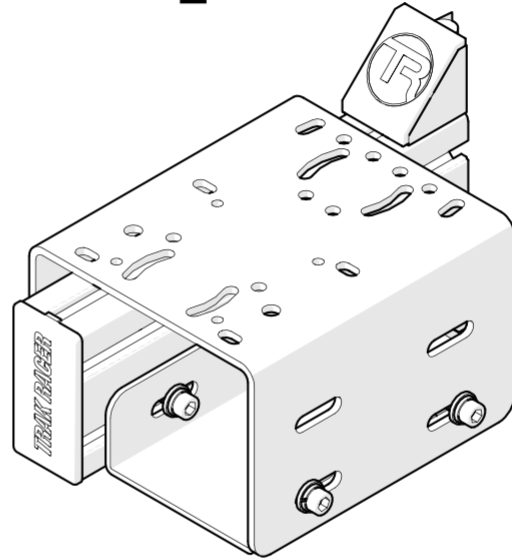
## OPTION 1



## OPTION 2

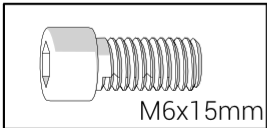


# Shifter Option 1



## PART LISTS

### BOX #: TR80-SHIFTER

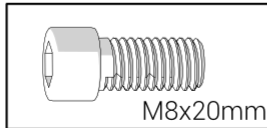


M6x15mm

Hex Screw

SH-M6-15

x2

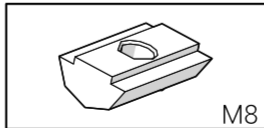


M8x20mm

Hex Screw

SH-M8-20

x6

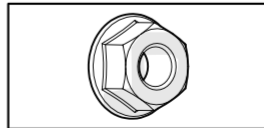


M8

Ball Bearing Nut, M8

NS-M8

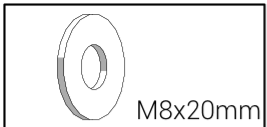
x6



Flange Nut, M8

NF-M8

x2

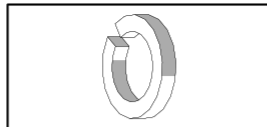


M8x20mm

Washer (Flat)

WF-M8-20

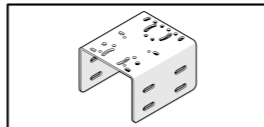
x8



Washer (Lock), M8

WL-M8

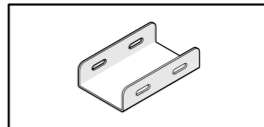
x8



Shifter Plate

SM-01

x1

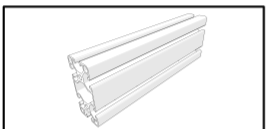


Shifter Plate 2

SM-02

x1

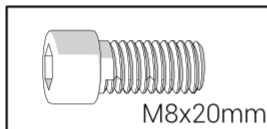
### BOX #: TR80-USM2-BLK



Aluminum Profile

TR-8080-240

x1

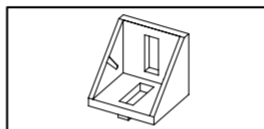


M8x20mm

Hex Screw

SH-M8-20

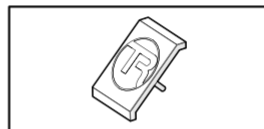
x4



Corner Bracket

BC-40

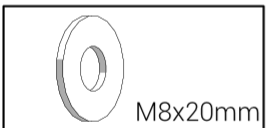
x2



Corner Bracket Cap

BC-40-CAP

x2

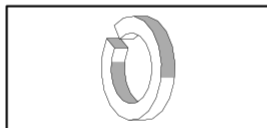


M8x20mm

Washer (Flat)

WF-M8-20

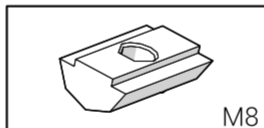
x4



Washer (Lock), M8

WL-M8

x4



M8

Ball Bearing Nut, M8

NS-M8

x4



Aluminum Profile Cap

EC-80

x1

\* NOTE: Extra hardware may be included as spare parts

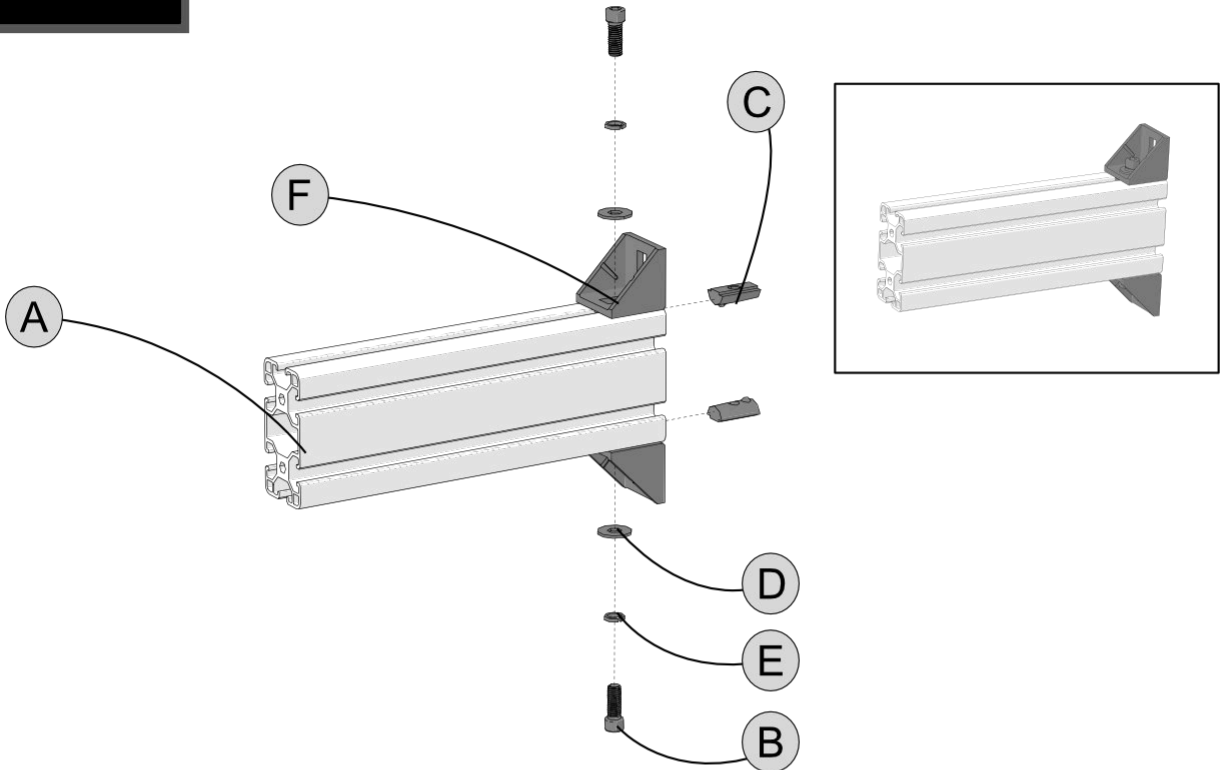
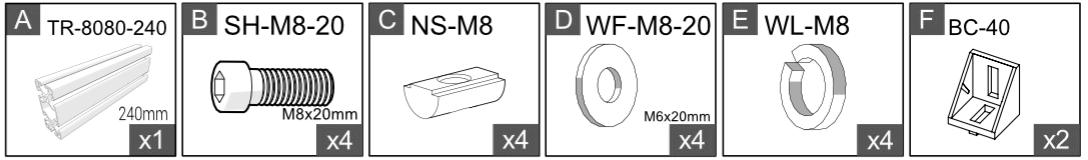
## TR80-SHORTSHIFT



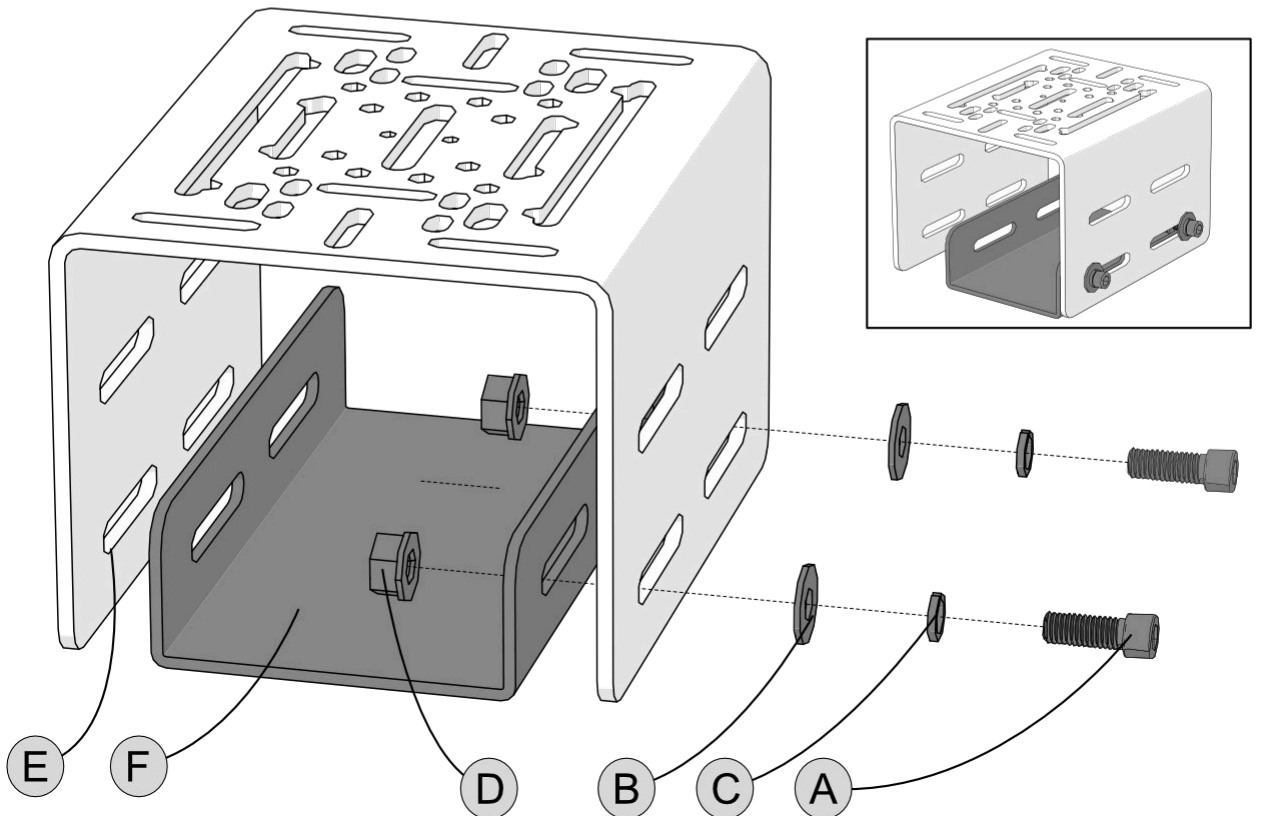
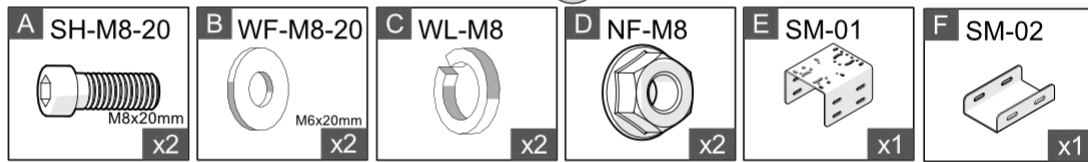
**TRAK RACER**

Published 2024-10-5

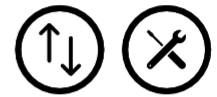
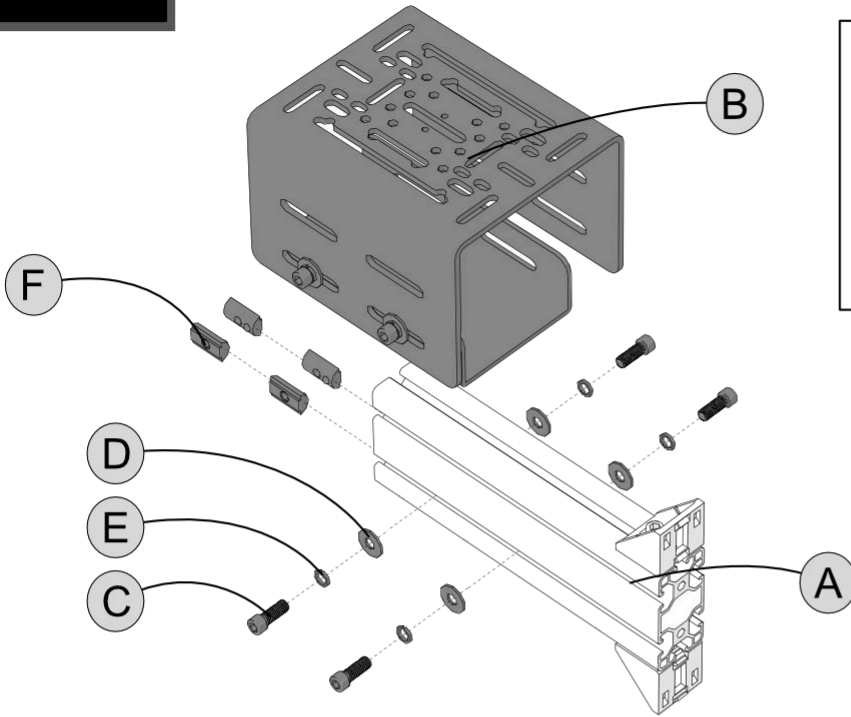
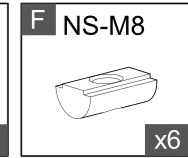
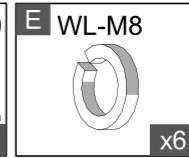
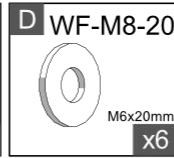
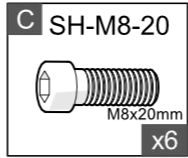
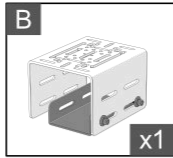
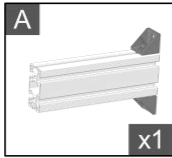
# 1



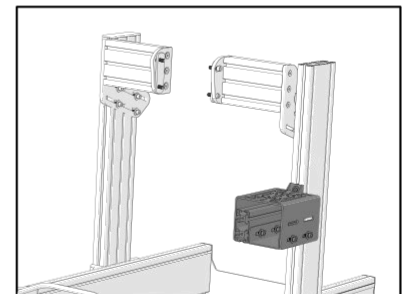
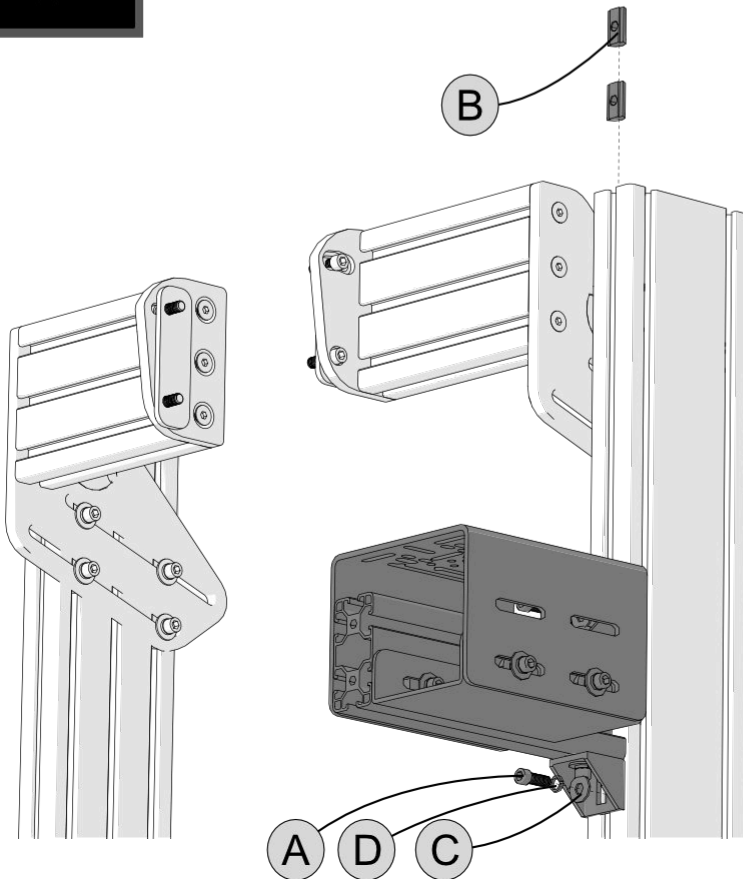
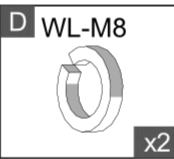
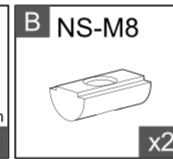
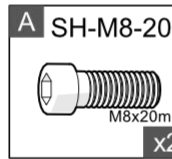
# 2



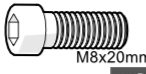
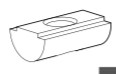



# 3

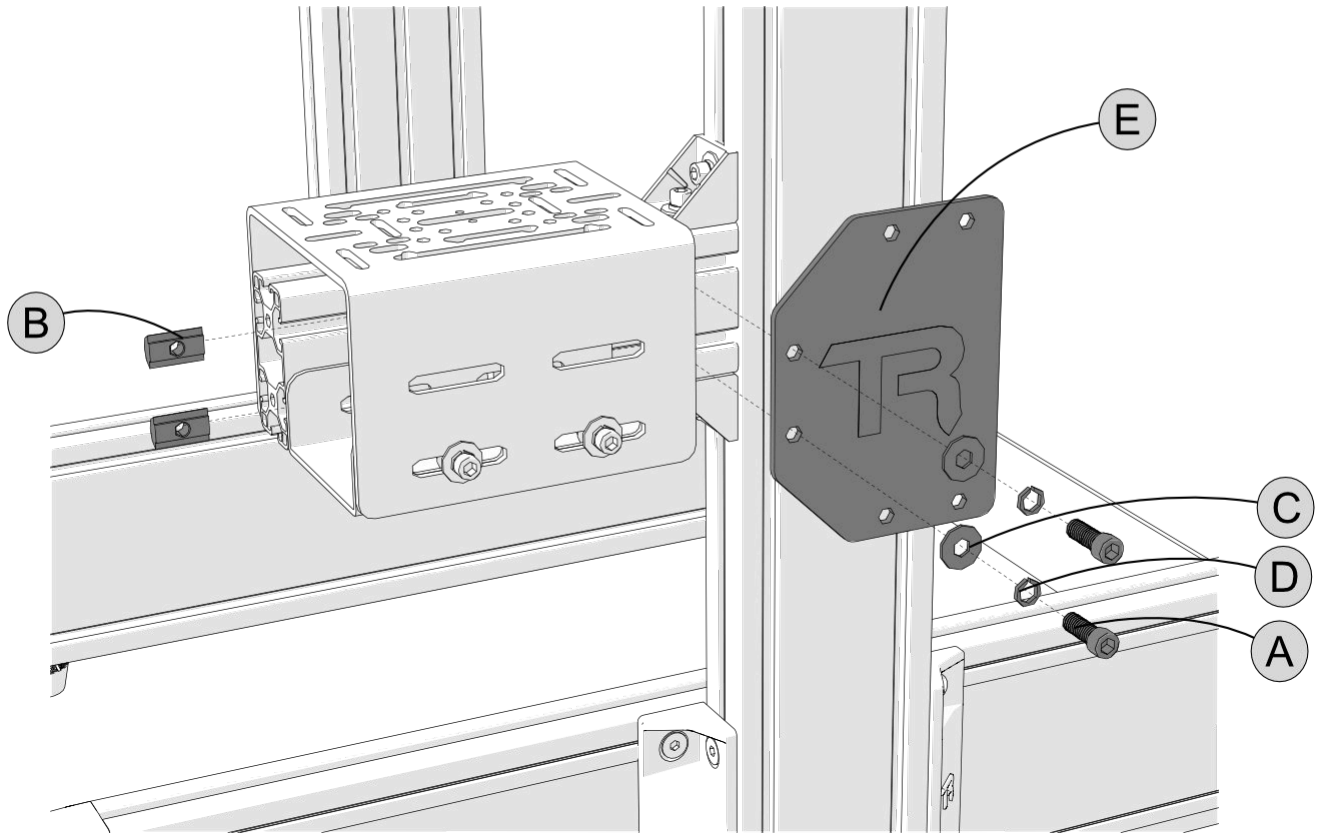


# 4





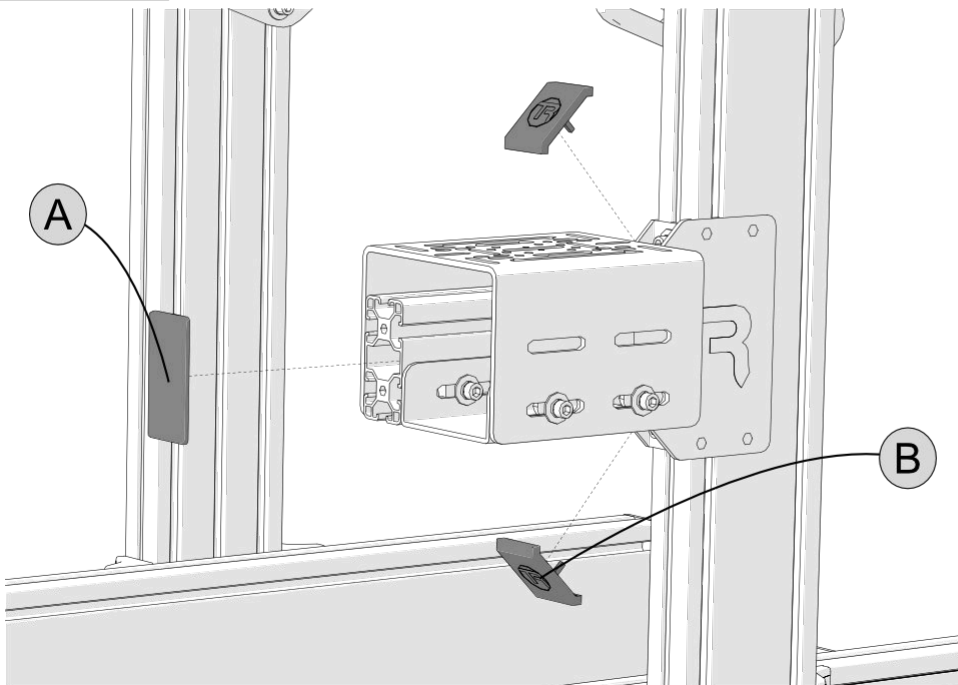
# 5

- |   |   |  |  |  |
|---|---|--|--|--|
| <b>A</b> SH-M8-20<br><br>M8x20mm<br>x2 | <b>B</b> NS-M8<br><br>x2 | <b>C</b> WF-M8-20<br><br>M6x20mm<br>x2 | <b>D</b> WL-M8<br><br>x2 | <b>E</b> BP-80-H<br><br>x1 |
|---|---|--|--|--|

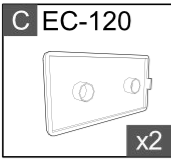
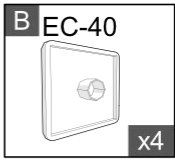
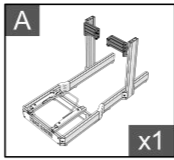


# 6

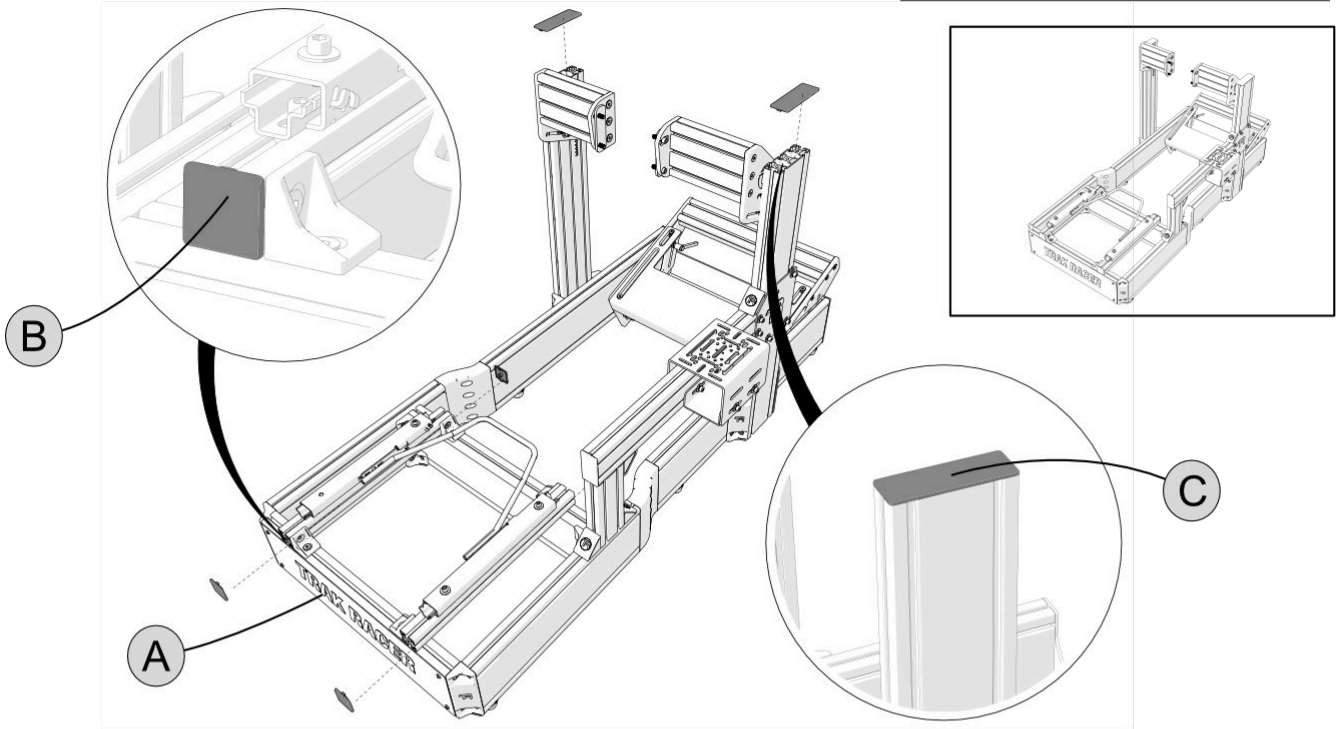
- |   |   |
|---|---|
| <b>A</b> EC-80<br><br>x1 | <b>B</b> BC-40-CAP<br><br>x2 |
|---|---|



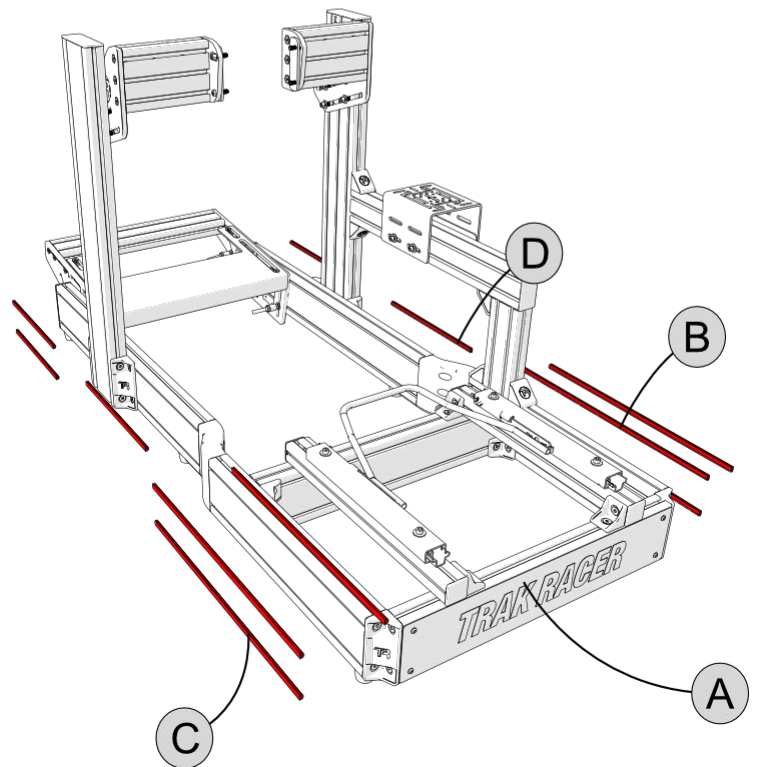
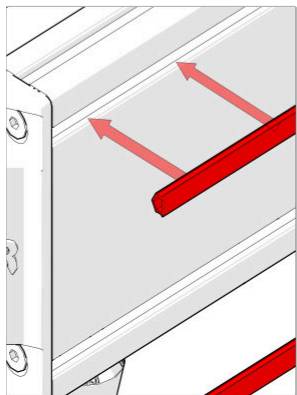
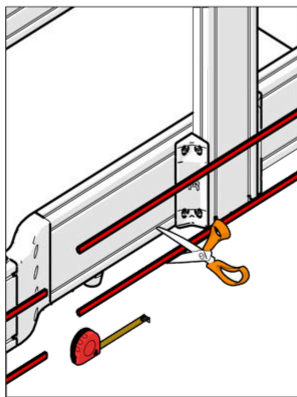
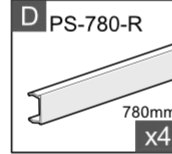
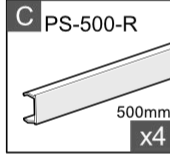
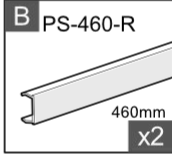
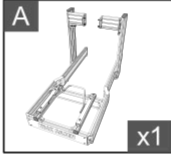
# 7



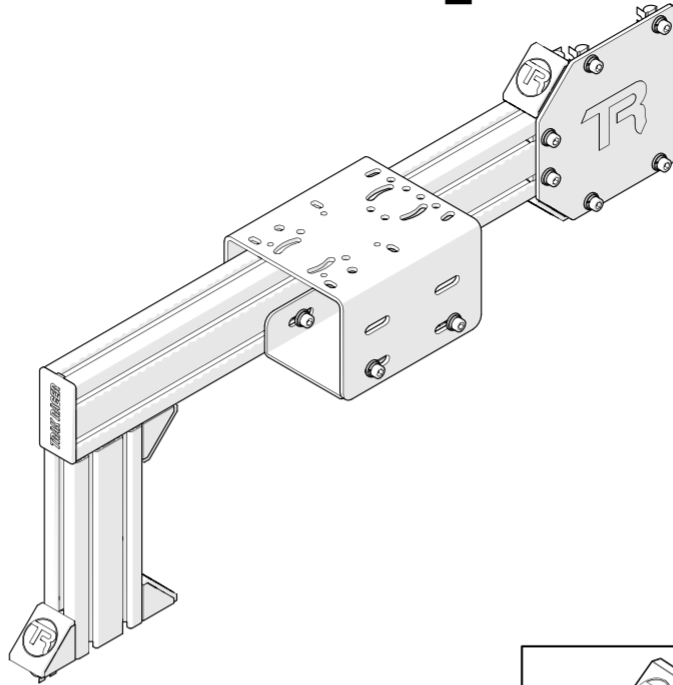
Verify EC-40 vs. EC-120 sizes.  
Install on both end sides or one  
end side.



# 8



# Shifter Option 2



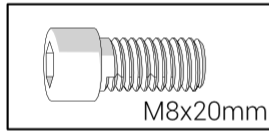
## PART LISTS

**BOX #: TR80-SMEX4**



Bracket Corner Cap

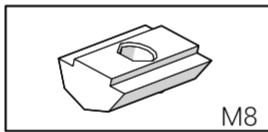
**BC-40-CAP x5**



M8x20mm

Hex Screw

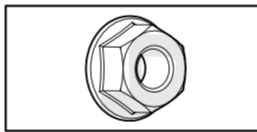
**SH-M8-20 x22**



M8

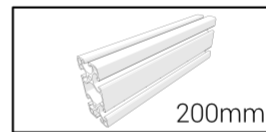
Ball Bearing Nut, M8

**NS-M8 x20**



Flange Nut, M8

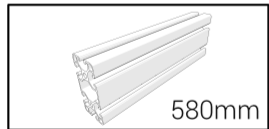
**NF-M8 x2**



200mm

Aluminum Profile

**TR-8080-200 x1**



580mm

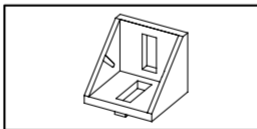
Aluminum Profile

**TR-8080-580 x1**



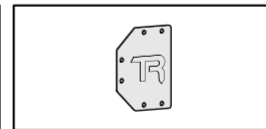
Aluminum Profile Cap

**EC-80 x1**



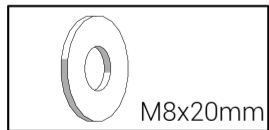
Corner Bracket

**BC-40 x5**



Shifter Side Plate

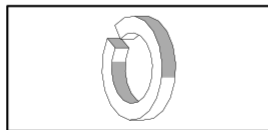
**BP-80-H x1**



M8x20mm

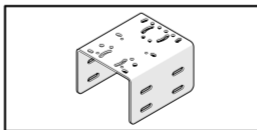
Washer (Flat)

**WF-M8-20 x22**



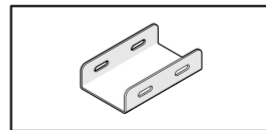
Washer (Lock), M8

**WL-M8 x22**



Shifter Plate

**SM-01 x1**



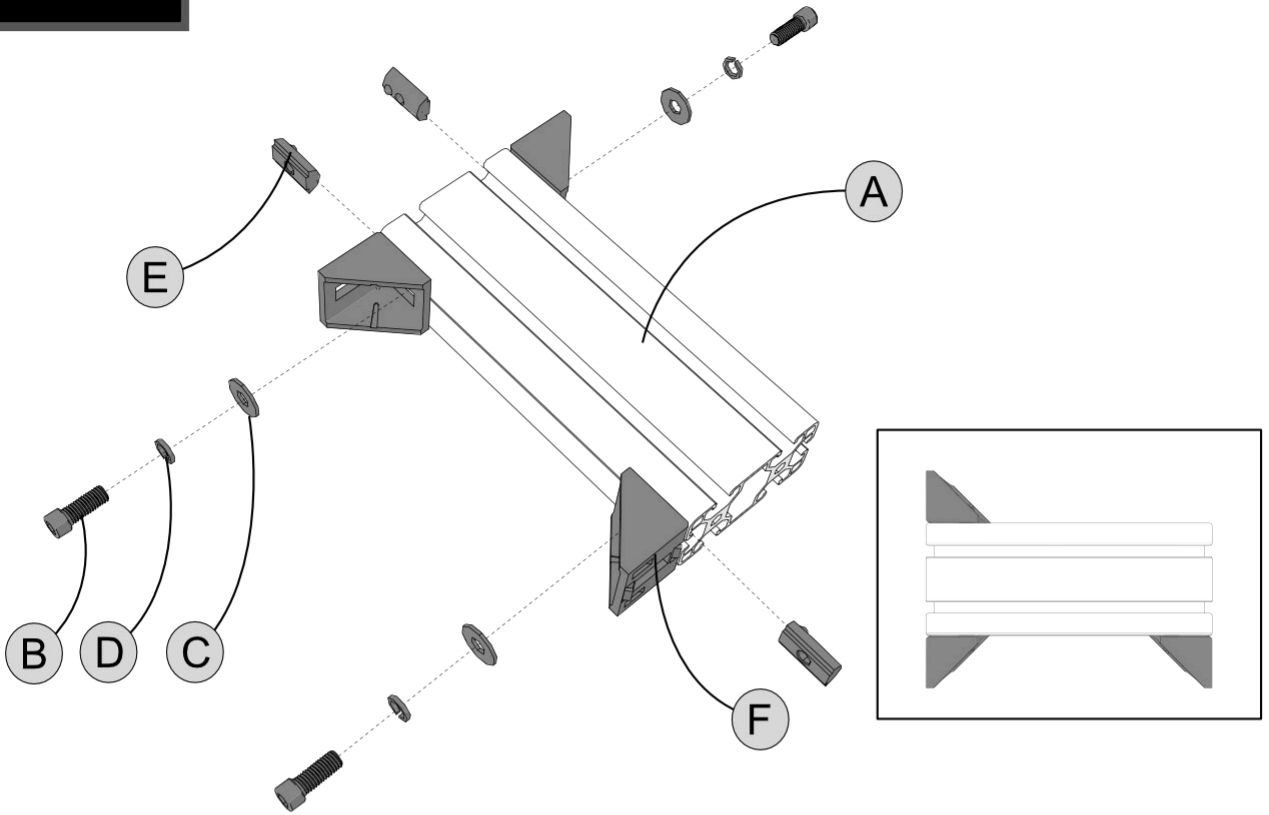
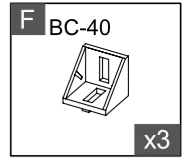
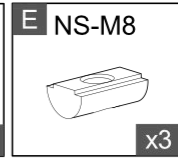
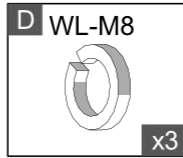
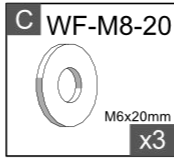
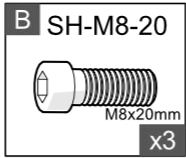
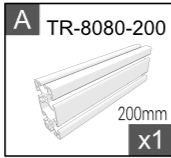
Shifter Plate 2

**SM-02 x1**

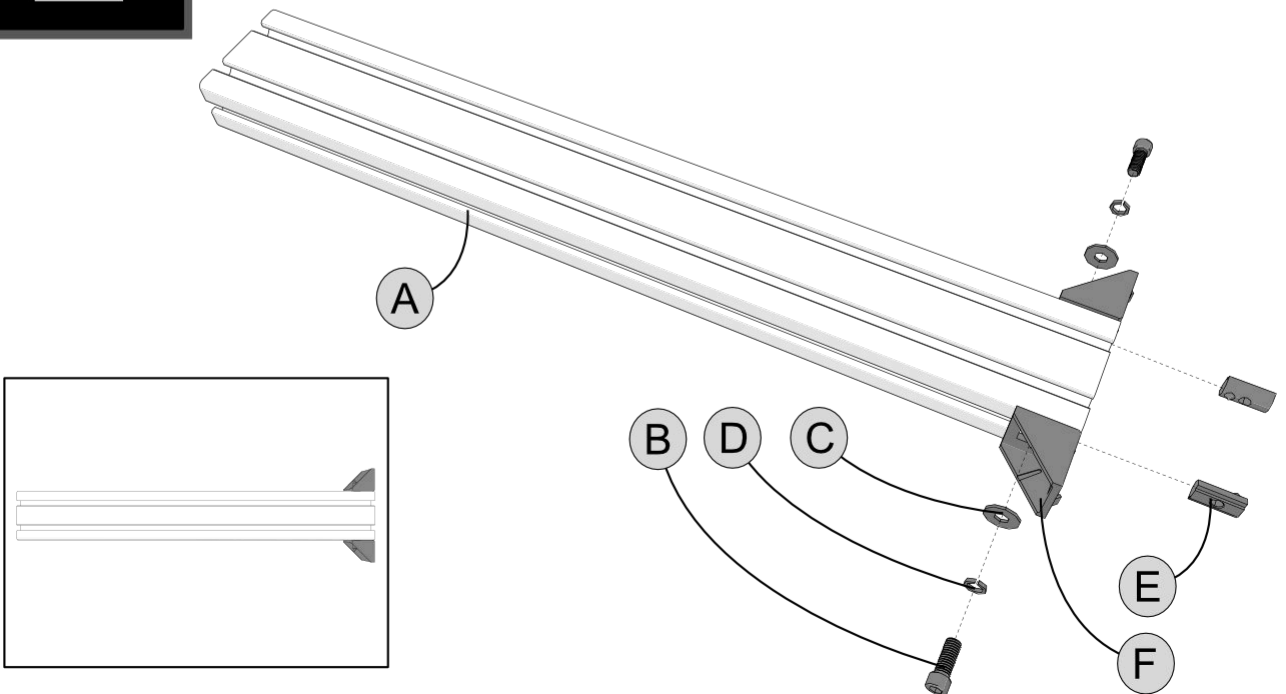
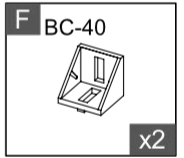
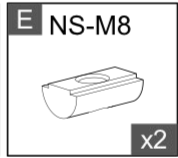
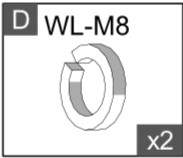
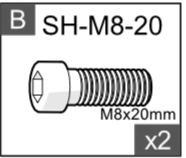
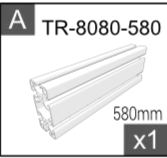
\* **NOTE:** Extra hardware may be included as spare parts

# TR120-SMEX

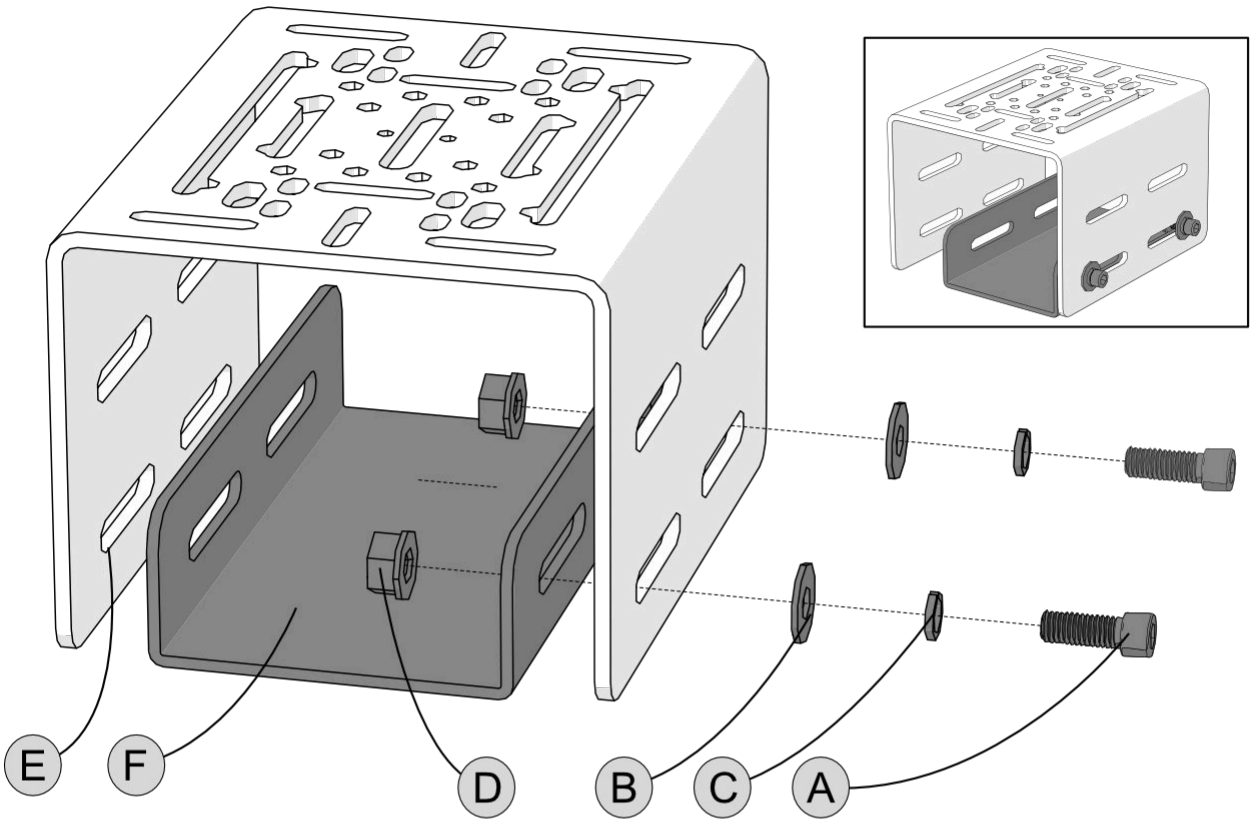
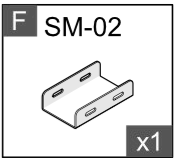
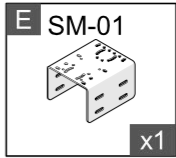
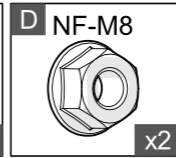
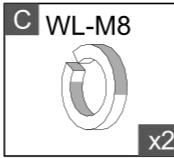
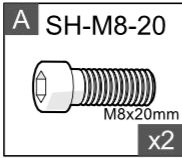
# 1



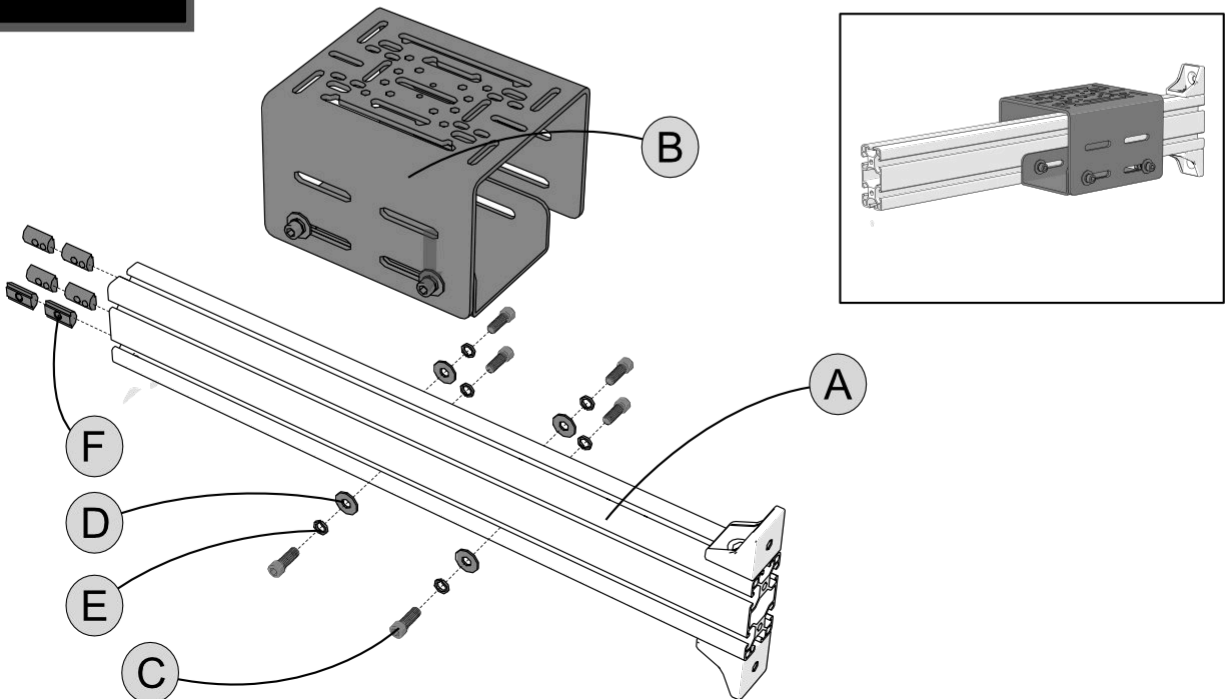
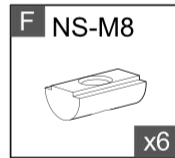
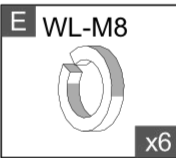
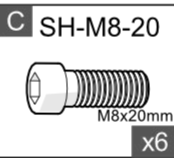
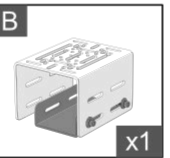
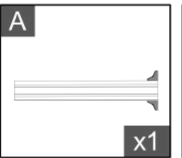
# 2



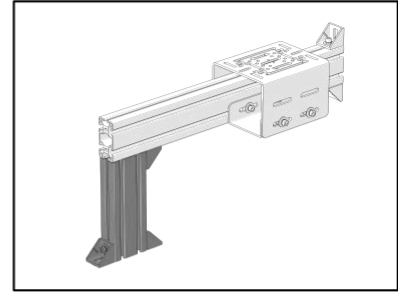
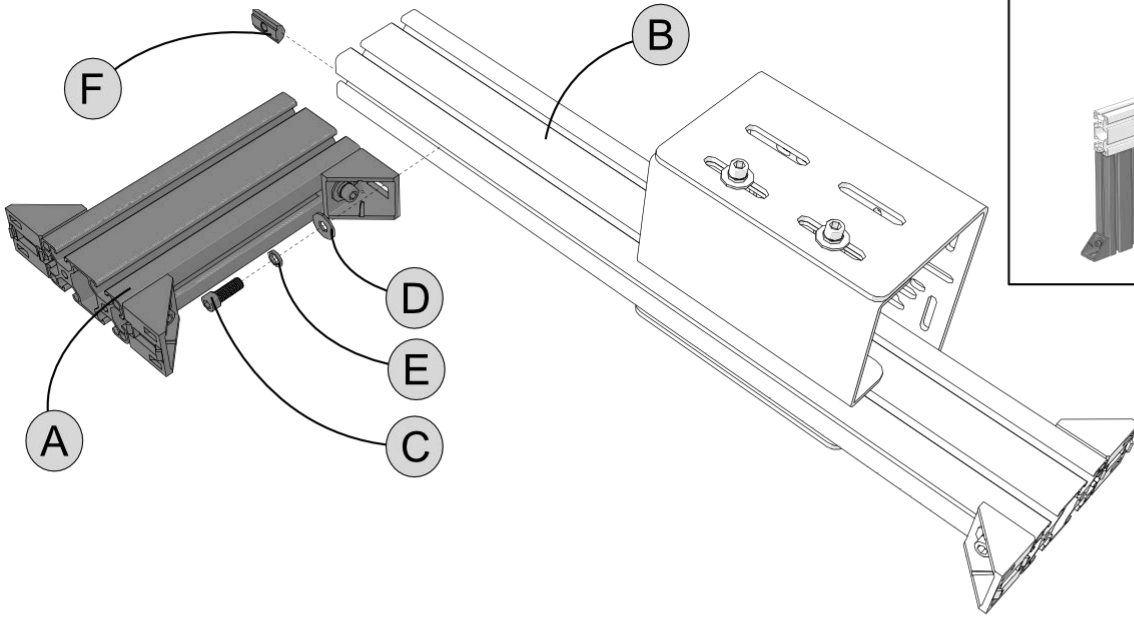
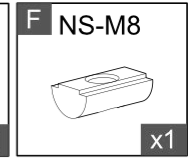
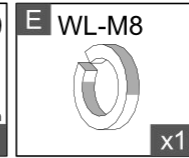
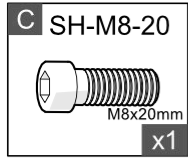
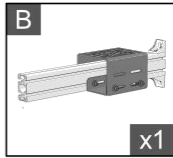
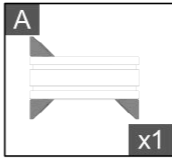
# 3



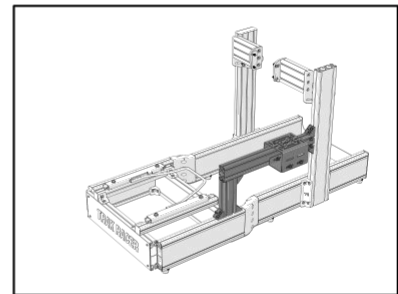
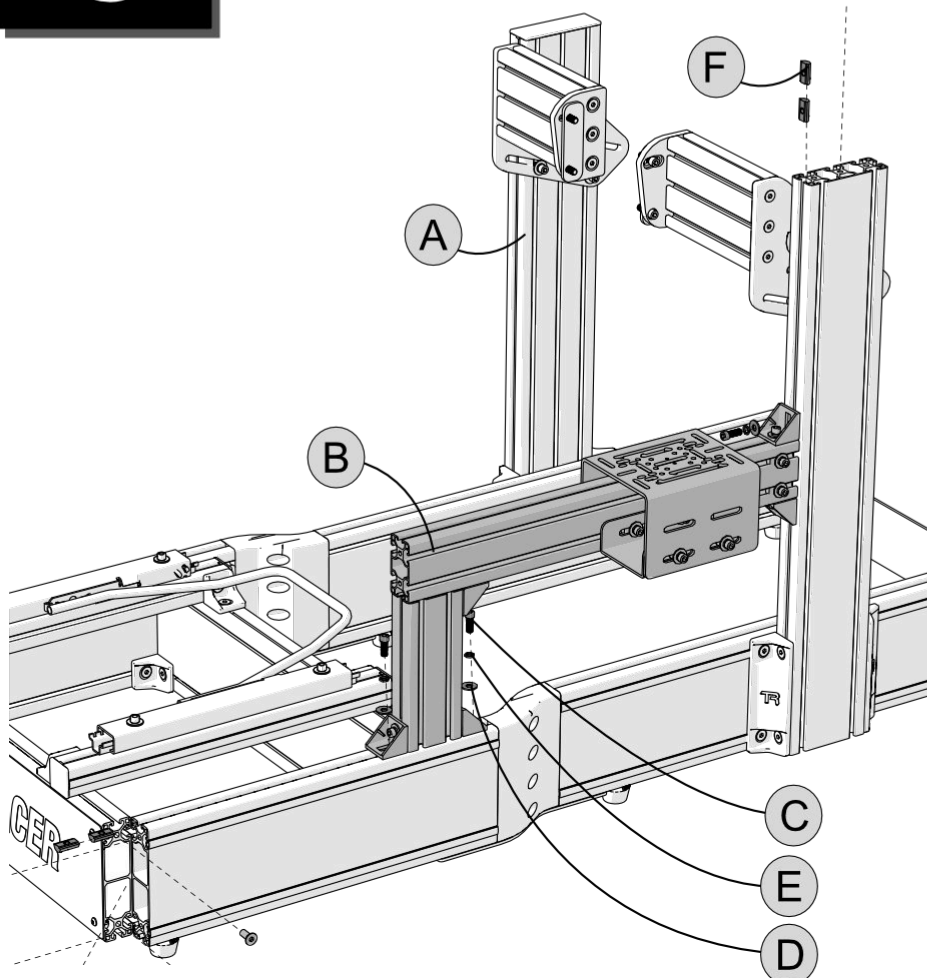
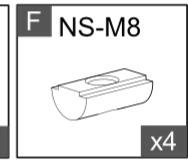
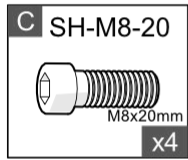
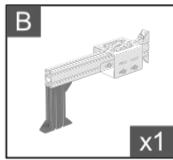
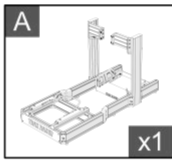
# 4



# 5

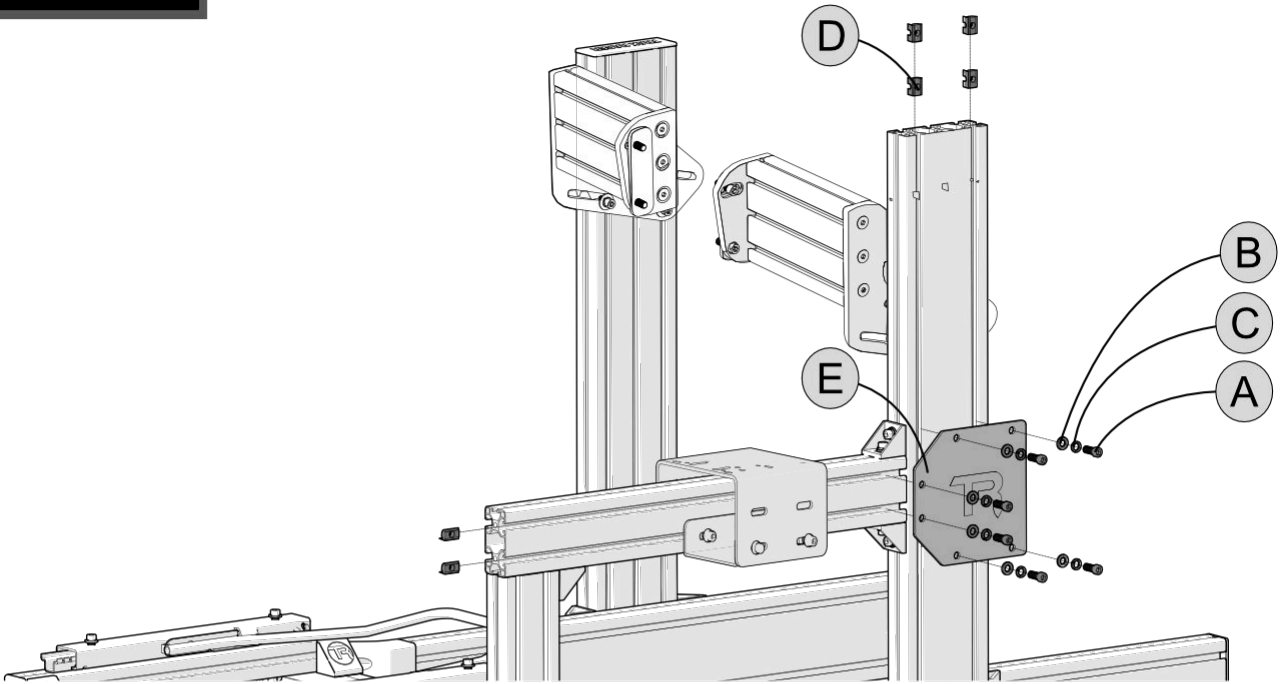


# 6



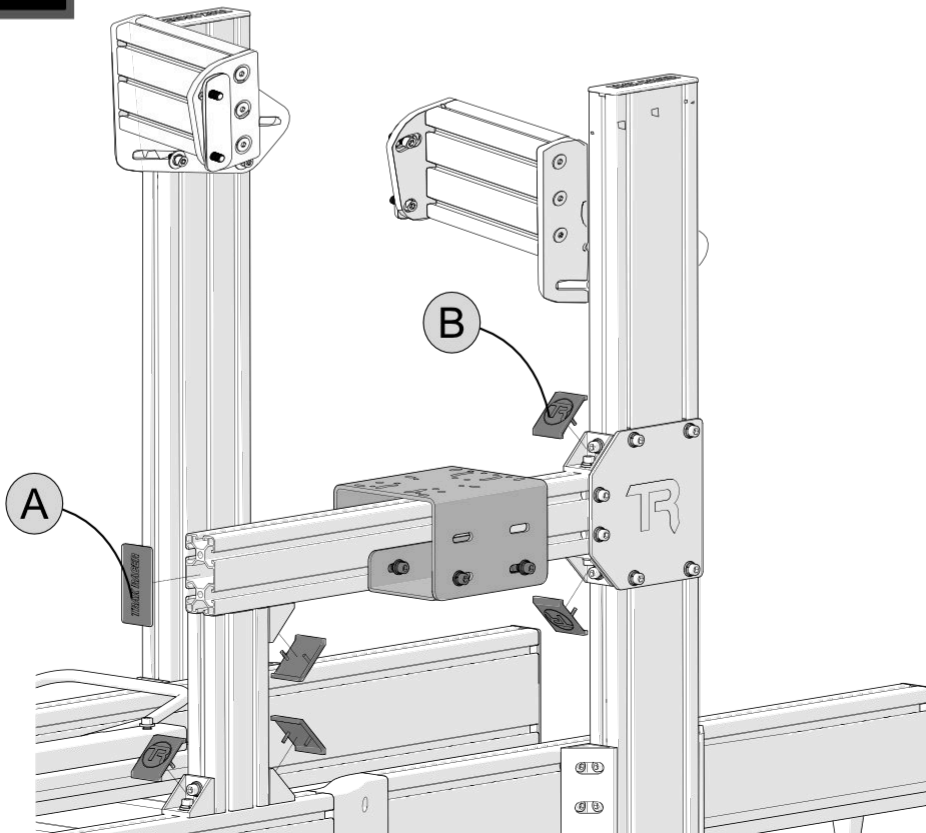
# 7

- A** SH-M8-20  
M8x20mm  
x6
- B** WF-M8-20  
M6x20mm  
6
- C** WL-M8  
x6
- D** NS-M8  
x6
- E** BP-80-H  
x1

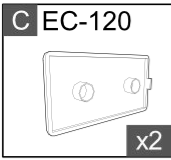
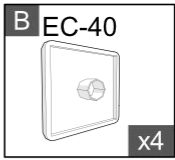
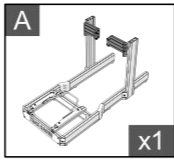


# 8

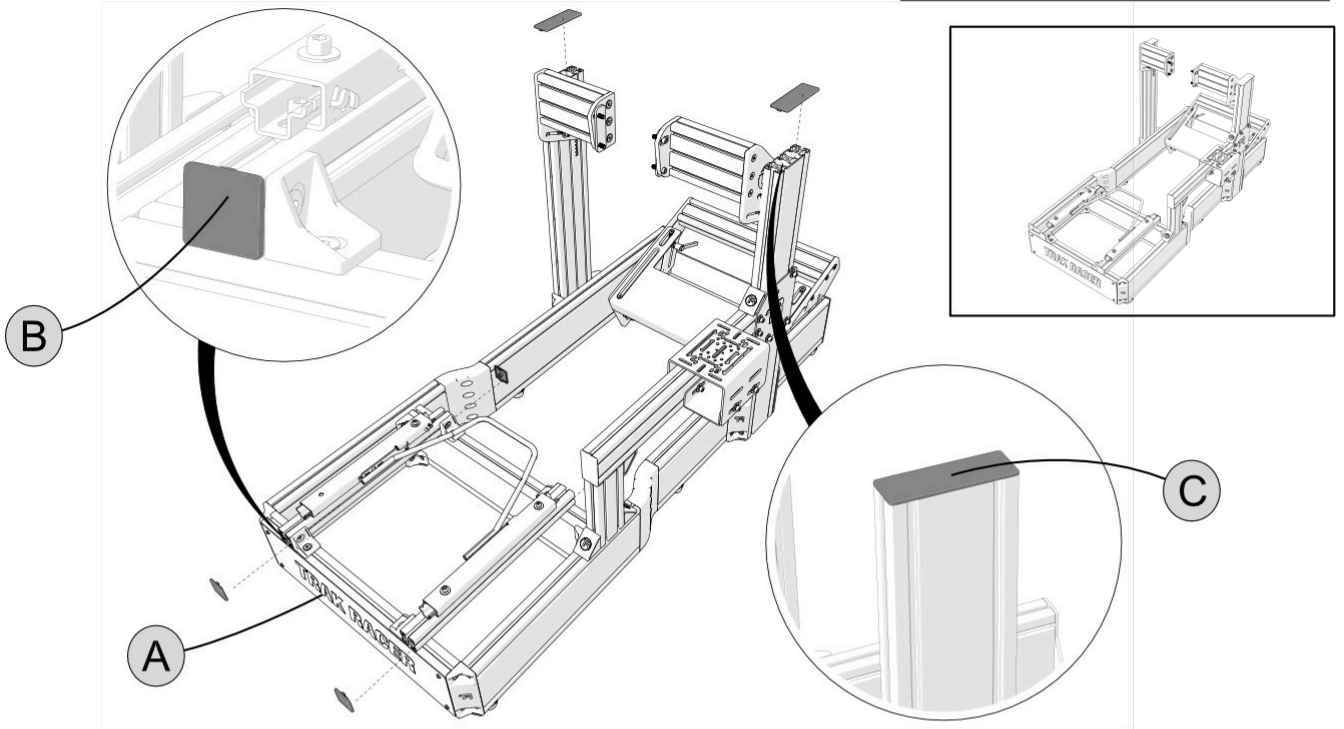
- A** EC-80  
x1
- B** BC-40-CAP  
x5



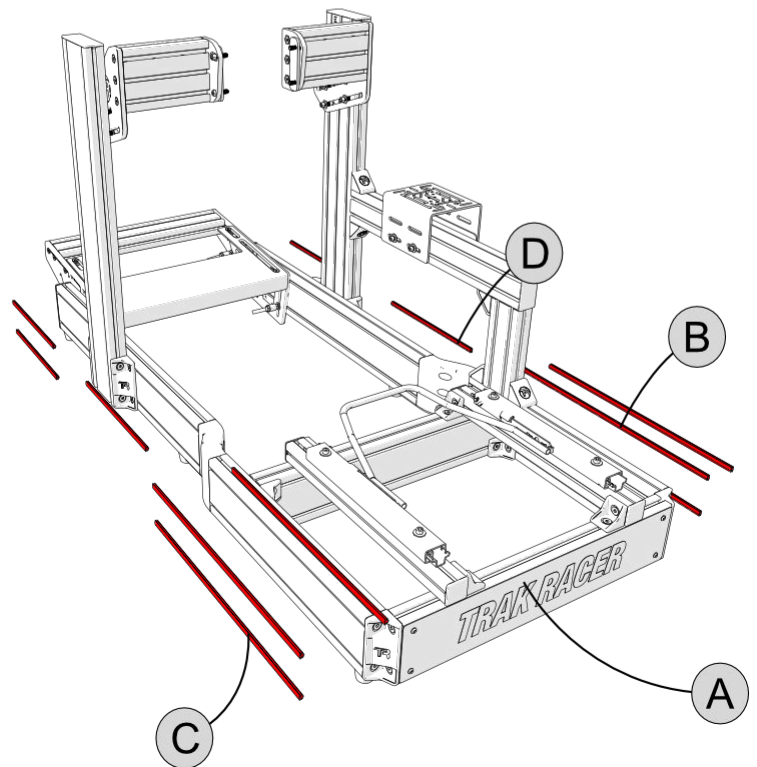
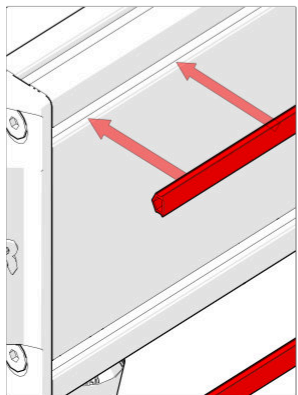
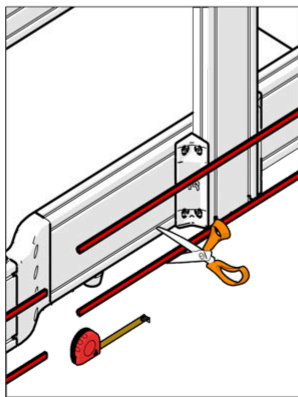
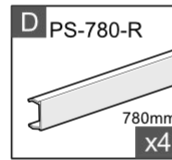
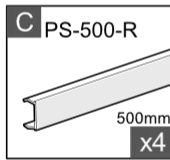
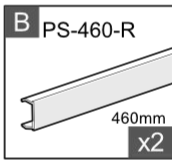
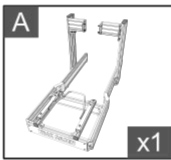
# 9



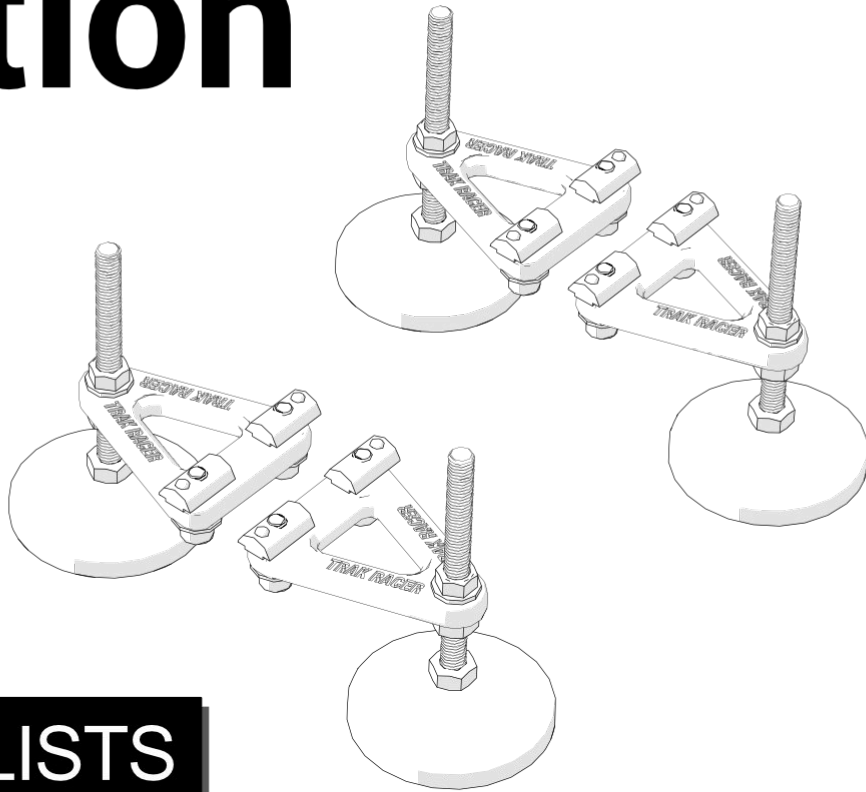
Verify EC-40 vs. EC-120 sizes.  
Install on both end sides or one  
end side.



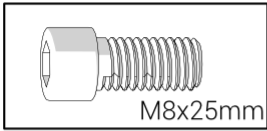
# 10



# Stabilizing Feet Option



## PART LISTS

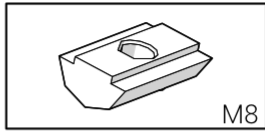


M8x25mm

Hex Screw

SH-M8-25

x8

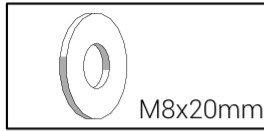


M8

Ball Bearing Nut, M8

NS-M8

x8

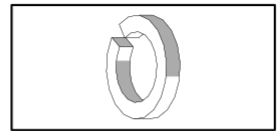


M8x20mm

Washer (Flat)

WF-M8-20

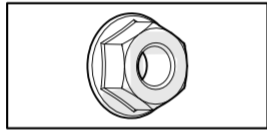
x8



Washer (Lock), M8

WL-M8

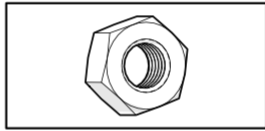
x8



Flange Nut, M10

NF-M10

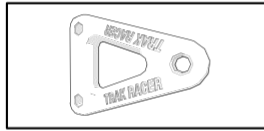
x4



Nut, M10

NL-M10

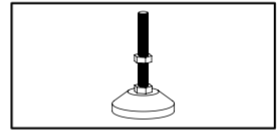
x8



Feet Plate

BF-01

x4



Feet Leg Adjustable

FA-01

x4



**IMPORTANT:** Different regions may have different models. Please ensure the part number below matches that on your product's box.

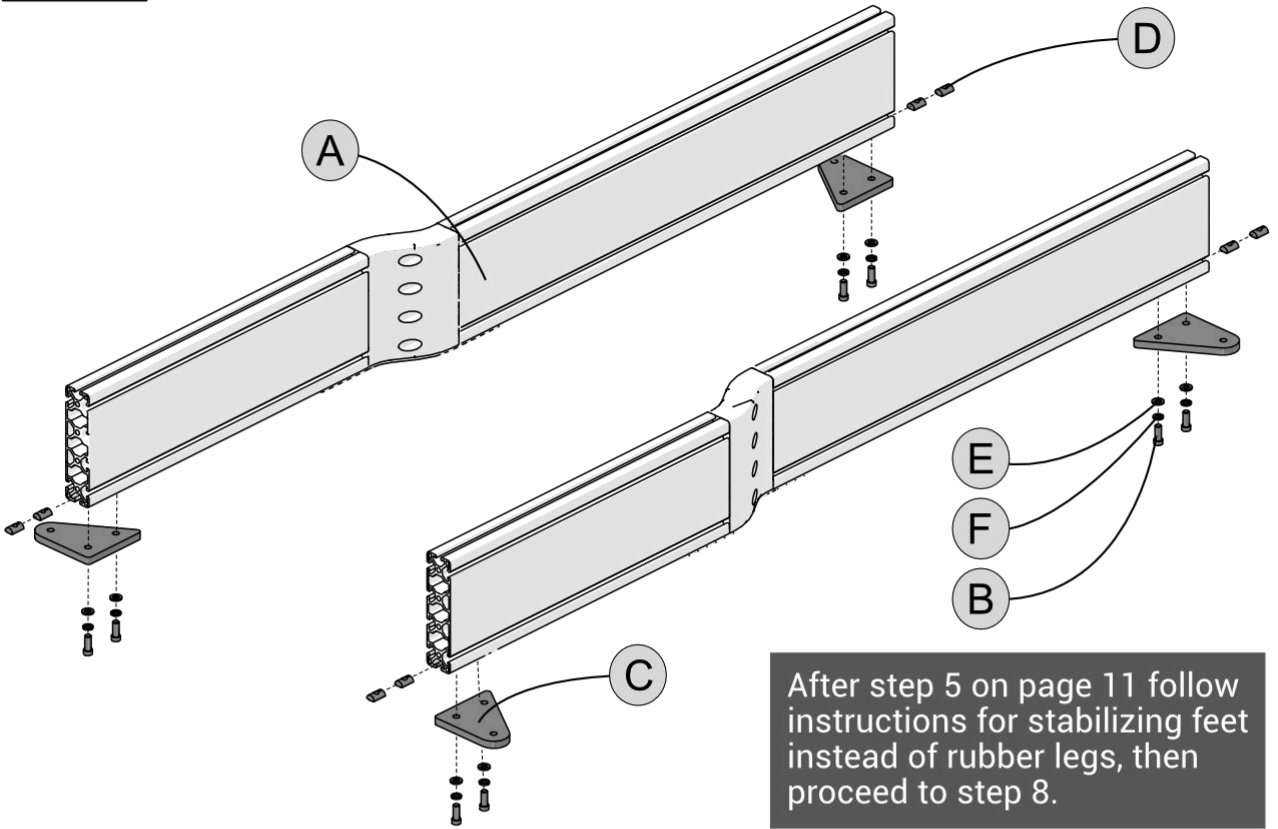
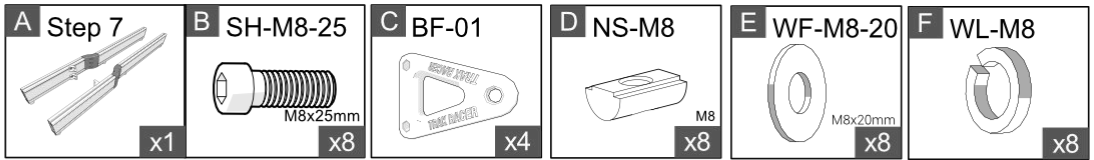
TR80-NEWFEET



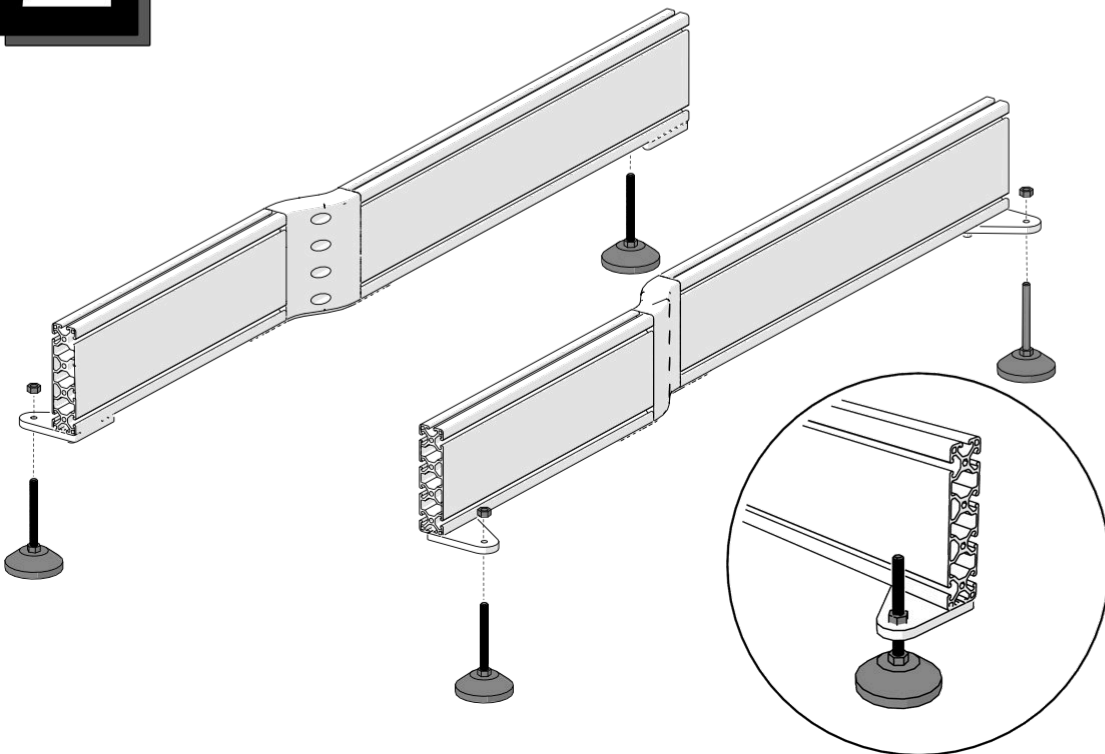
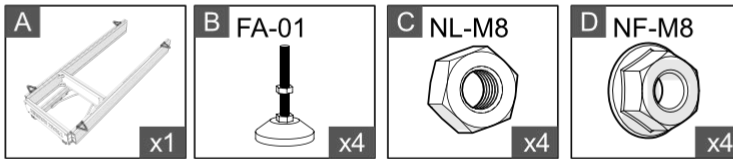
**TRAK RACER**

Published 2024-10-5

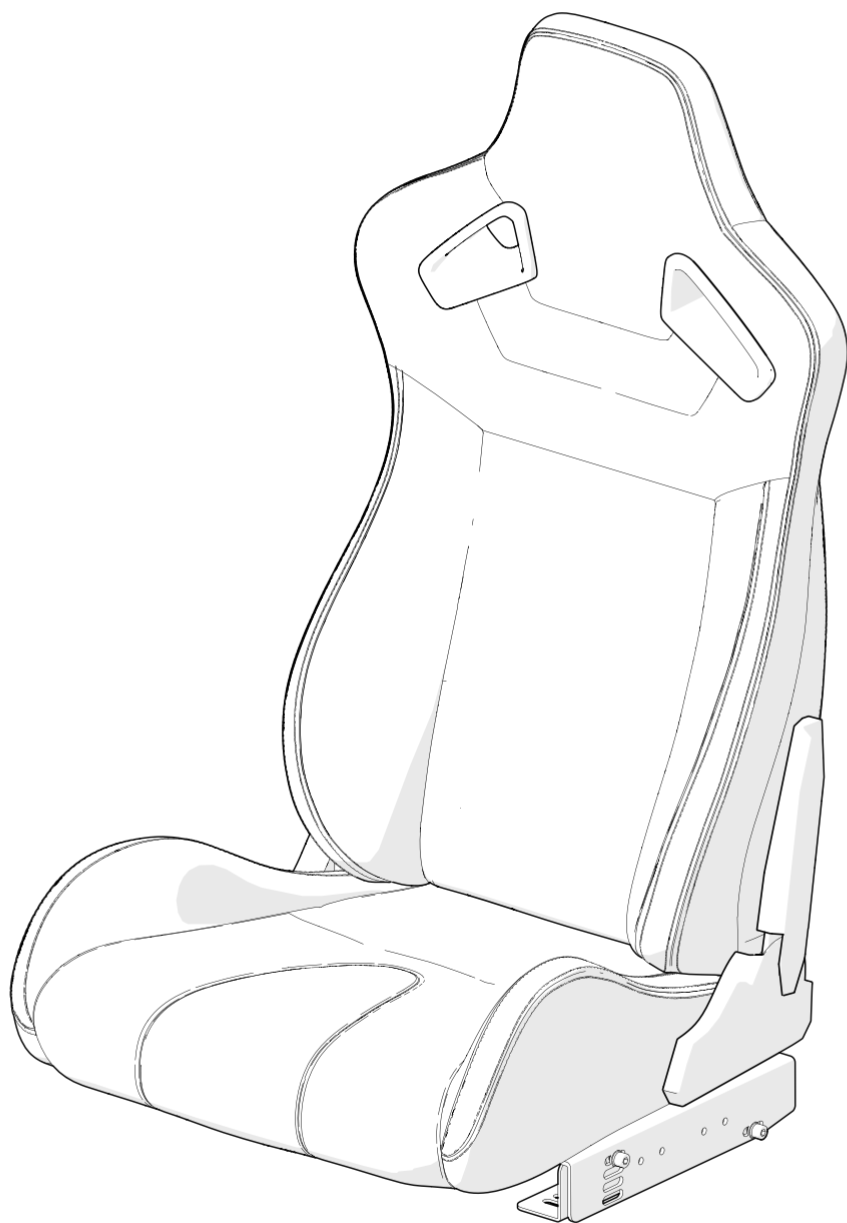
# 1



# 2



# Adjustable Recliner Seat Bracket



**TR-RSB4**

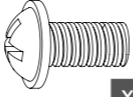


**TRAK RACER**

Published 2024-10-5

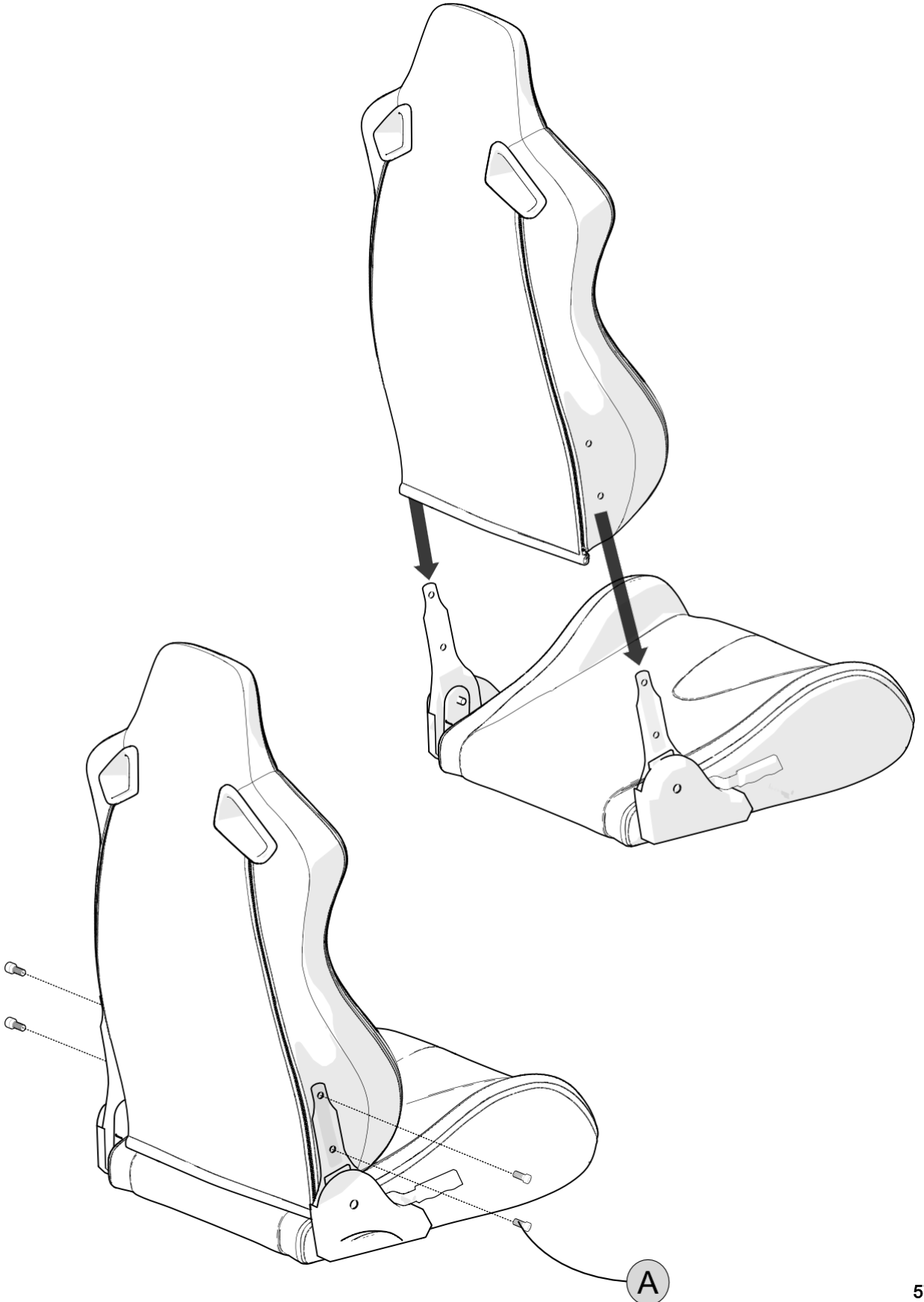
# 1

A Screw

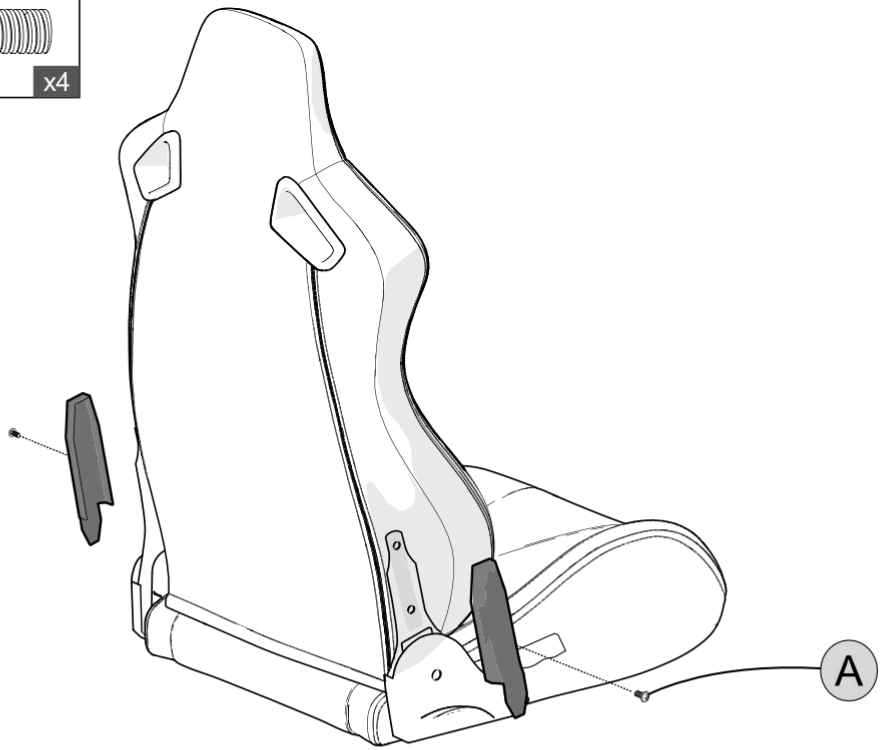
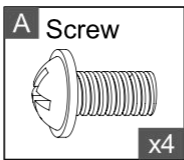


x4

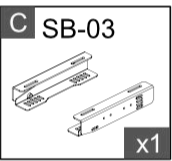
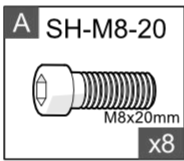
Note: Screws supplied with seat



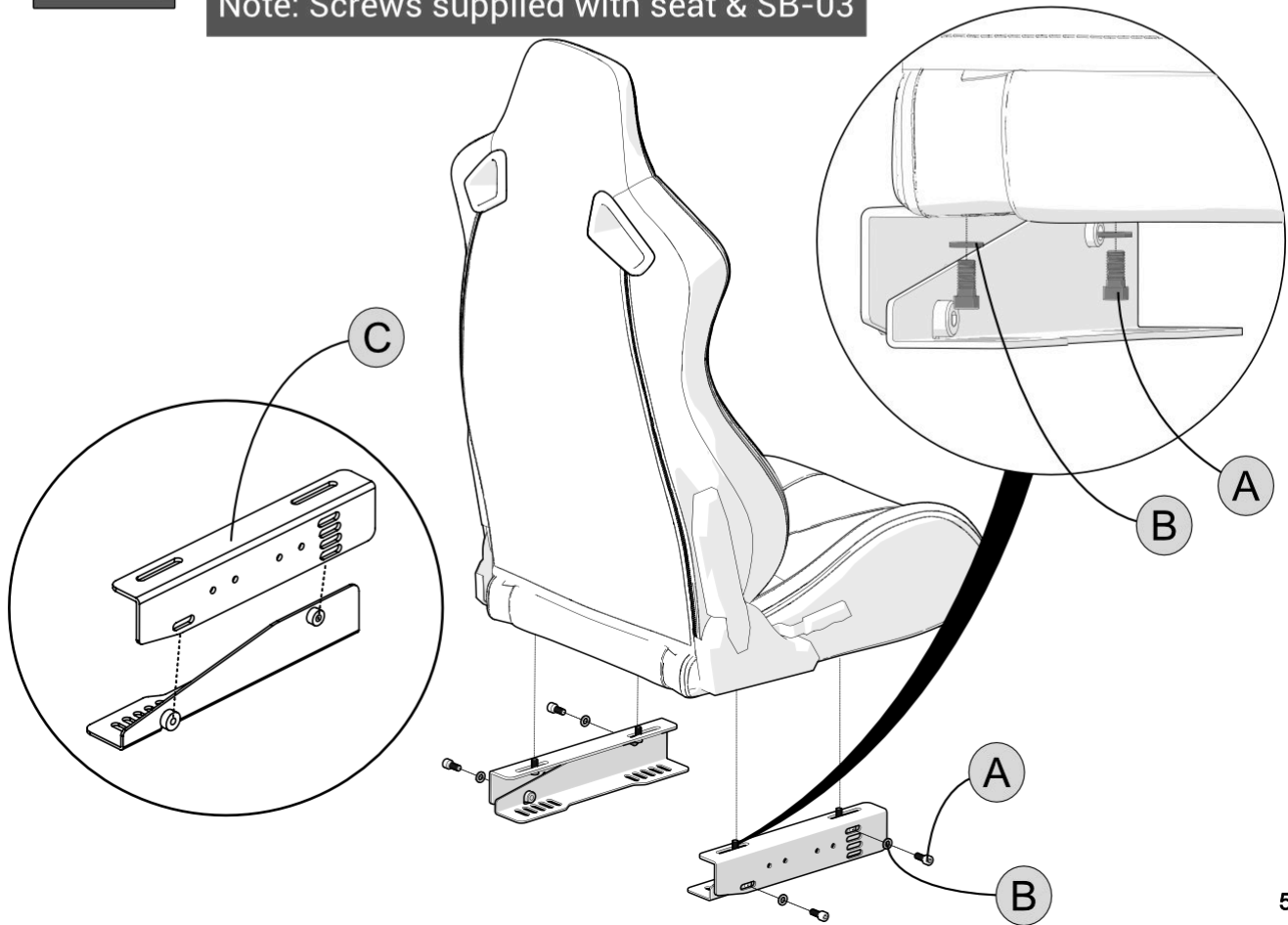
# 2



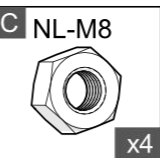
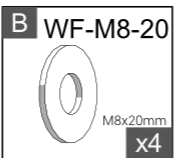
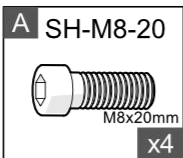
# 3



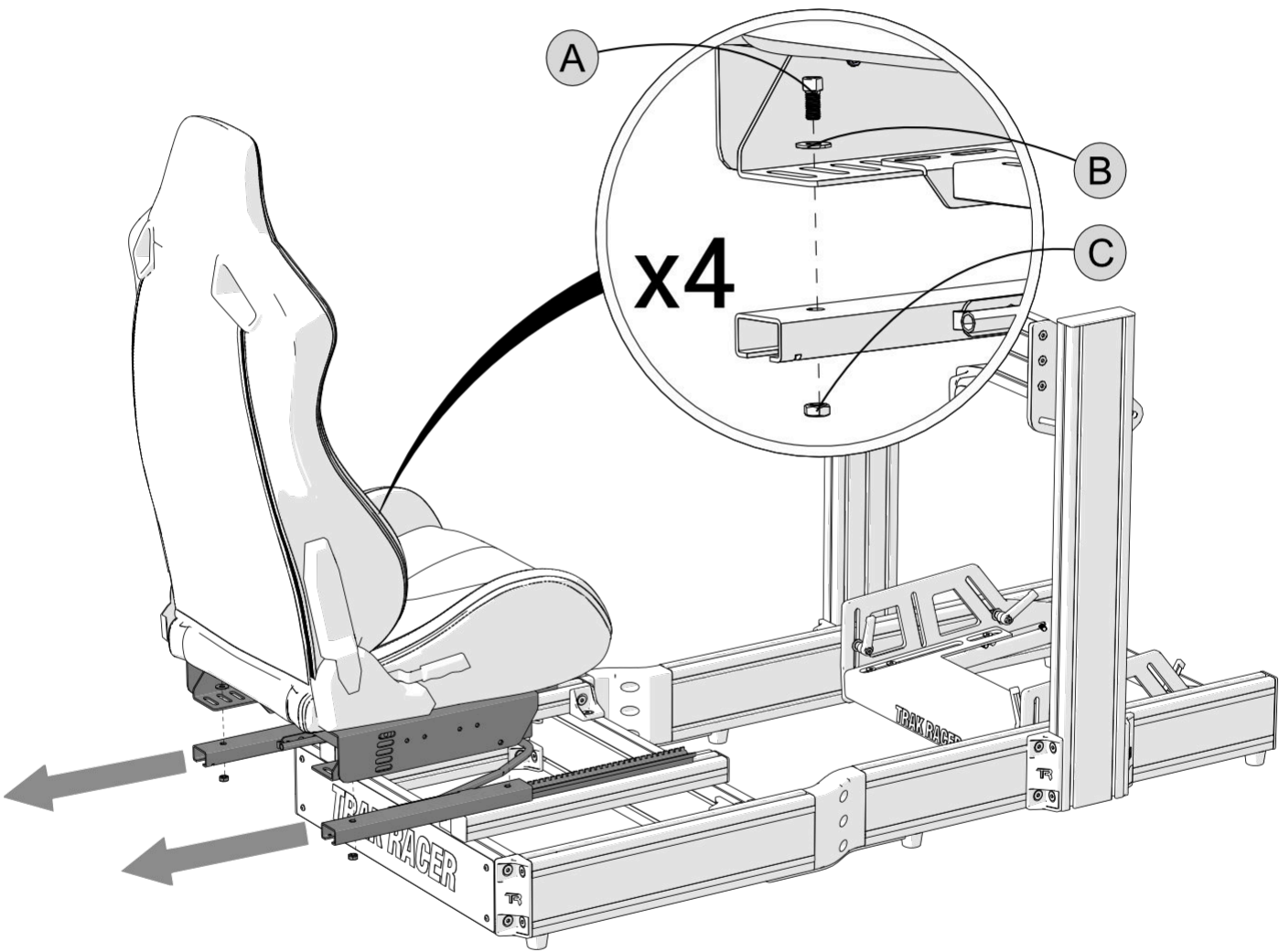
Note: Screws supplied with seat & SB-03



# 4

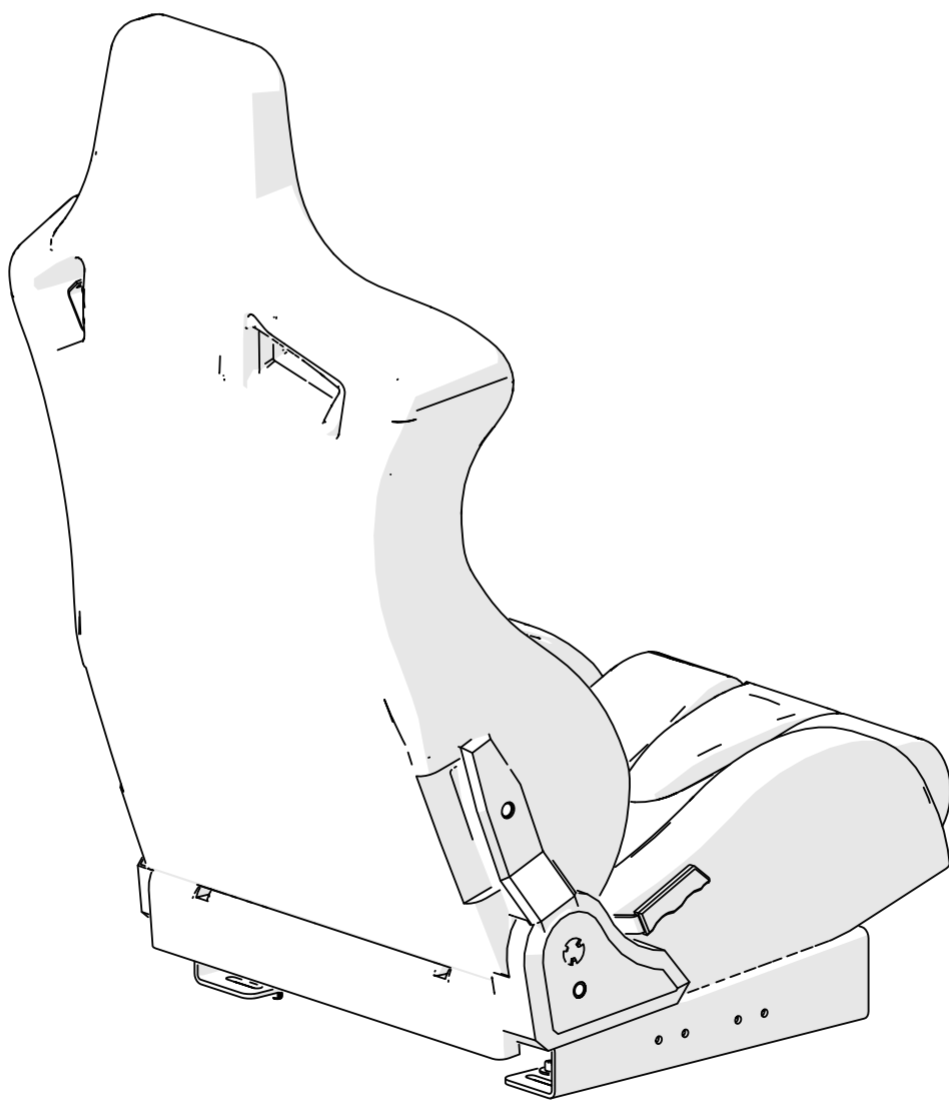


Note: Slide the slider all the way back to install screws and nuts. Then slide all the way forward and repeat for front screws and nuts.



# Non-Adjustable Recline Seat Brackets

## *Assembly Guide*



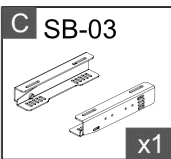
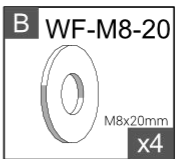
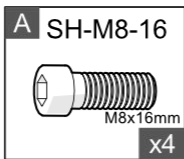
**TR-RSB-CH**



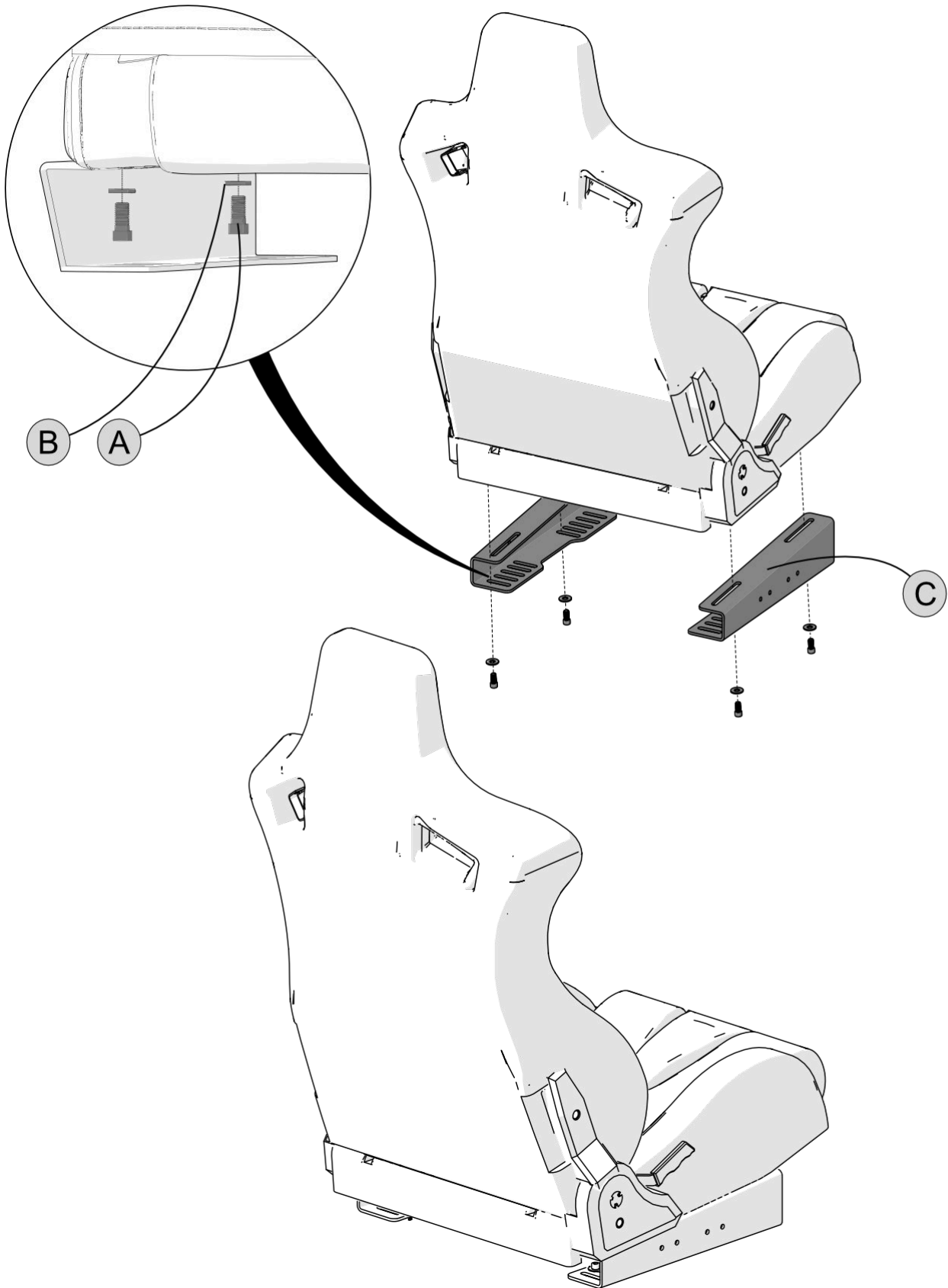
**TRAK RACER**

Published 2024-10-5

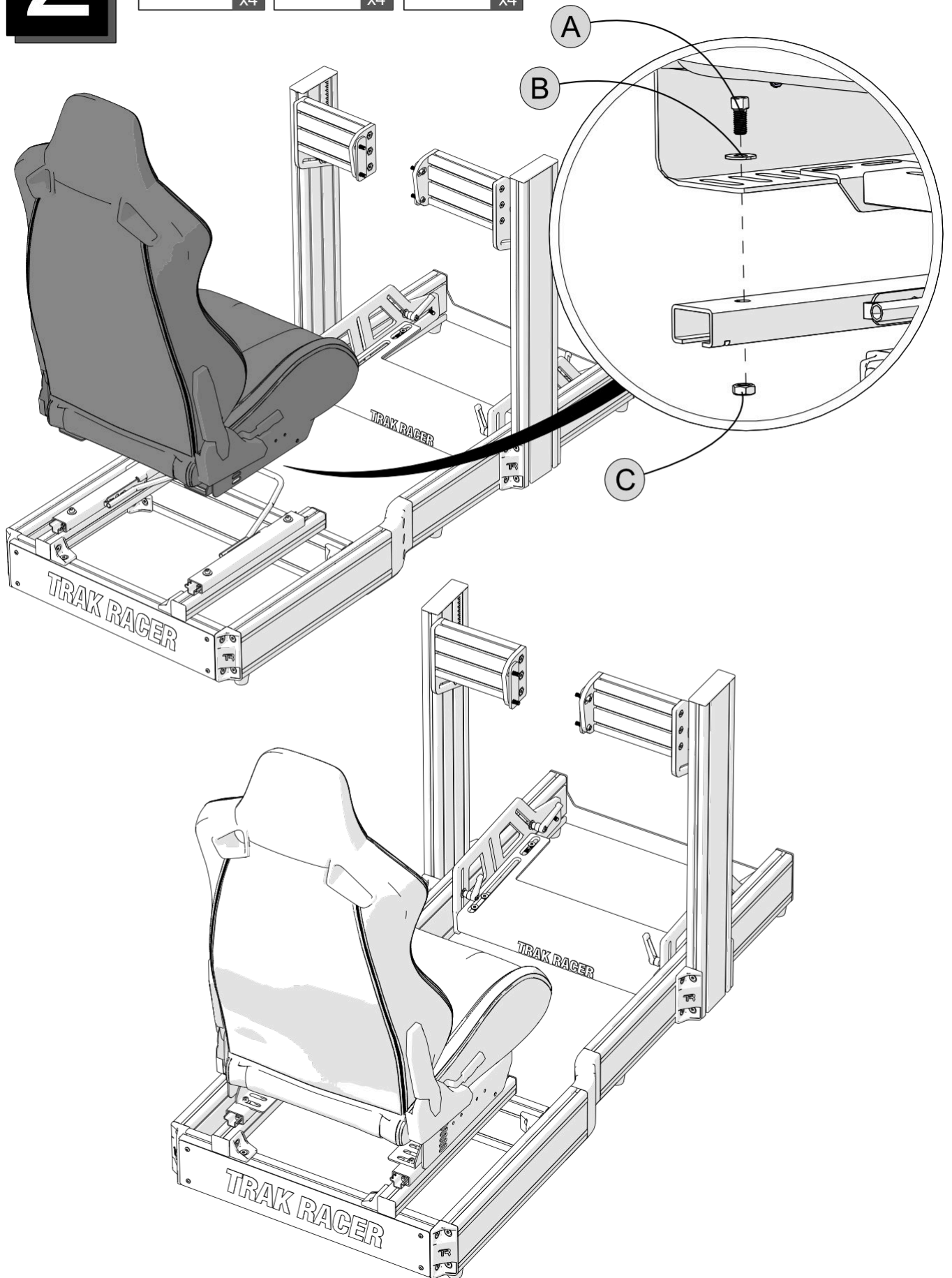
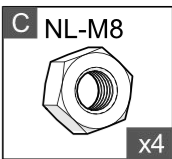
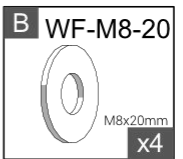
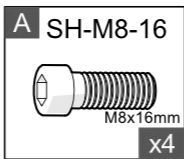
# 1



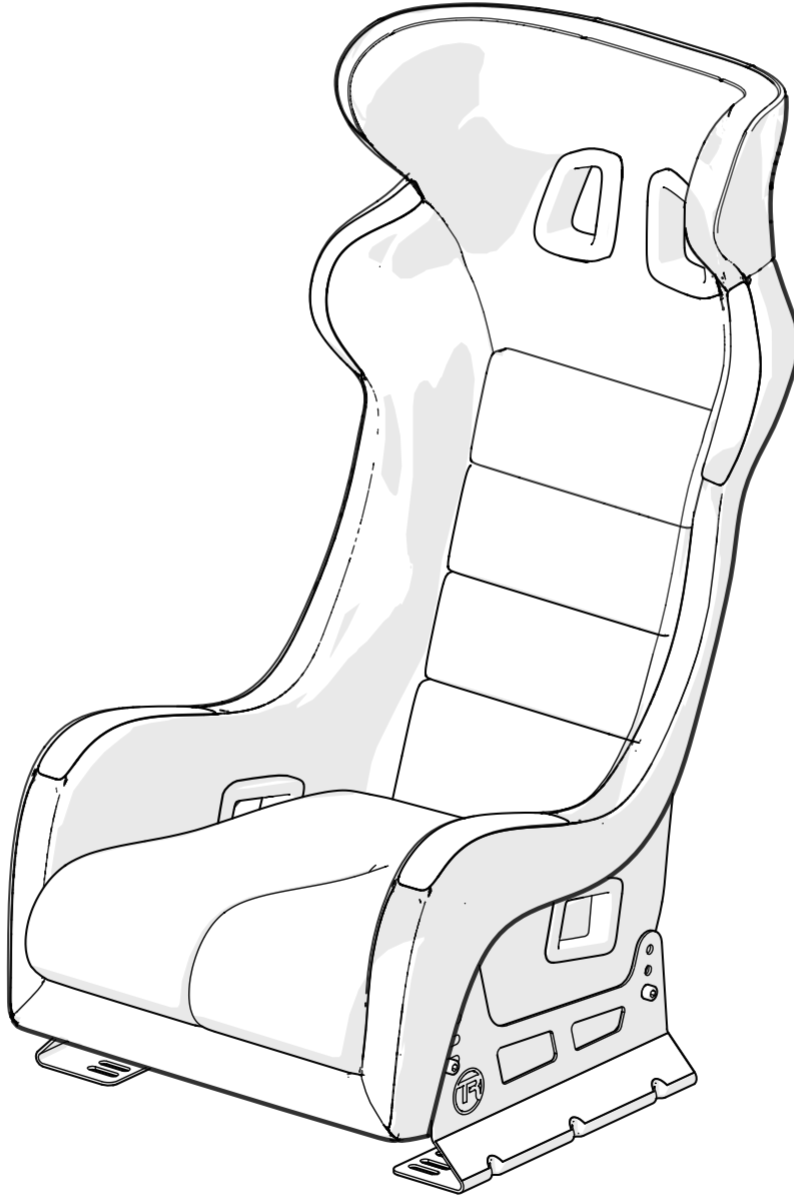
Note: Screws supplied with seat & SB-03



# 2



# GT/Rally Seat Assembly



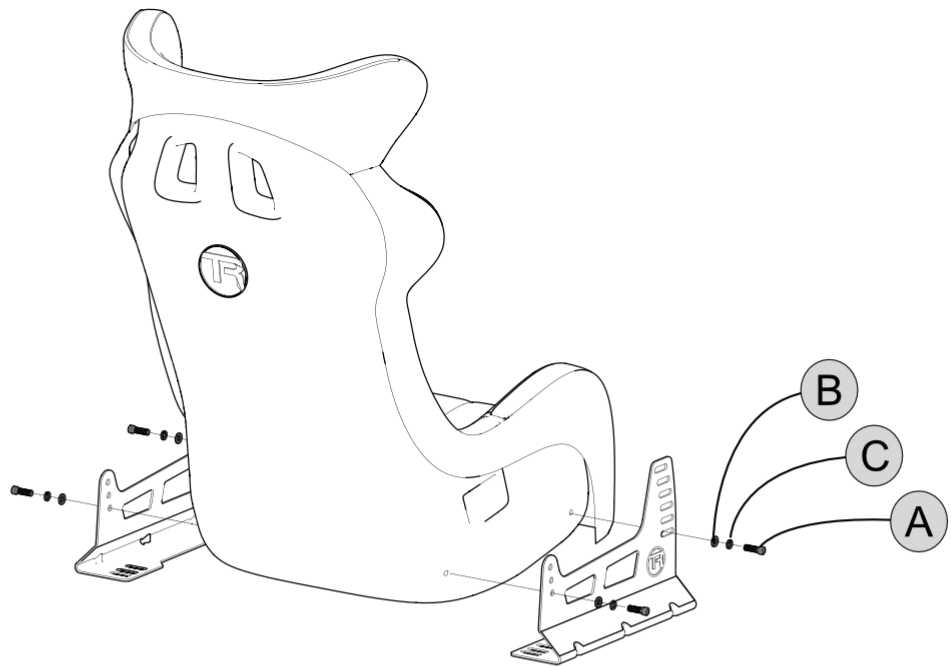
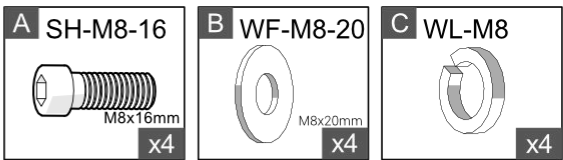
SA-09 and SA-10



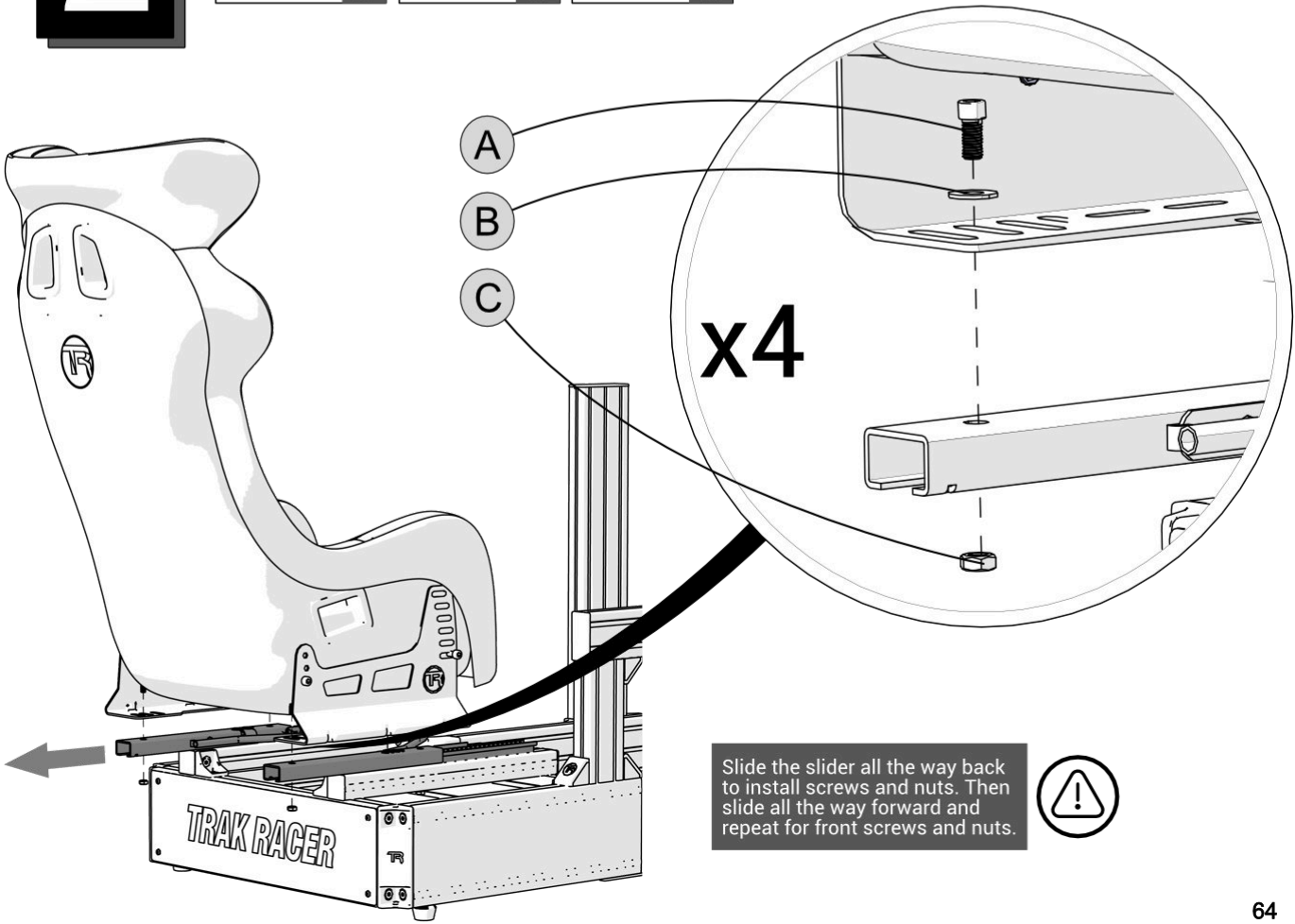
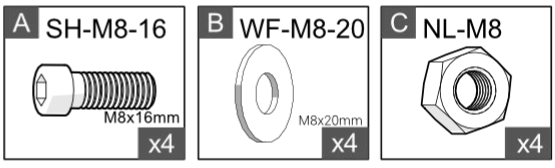
**TRAK RACER**

Published 2024-10-5

# 1



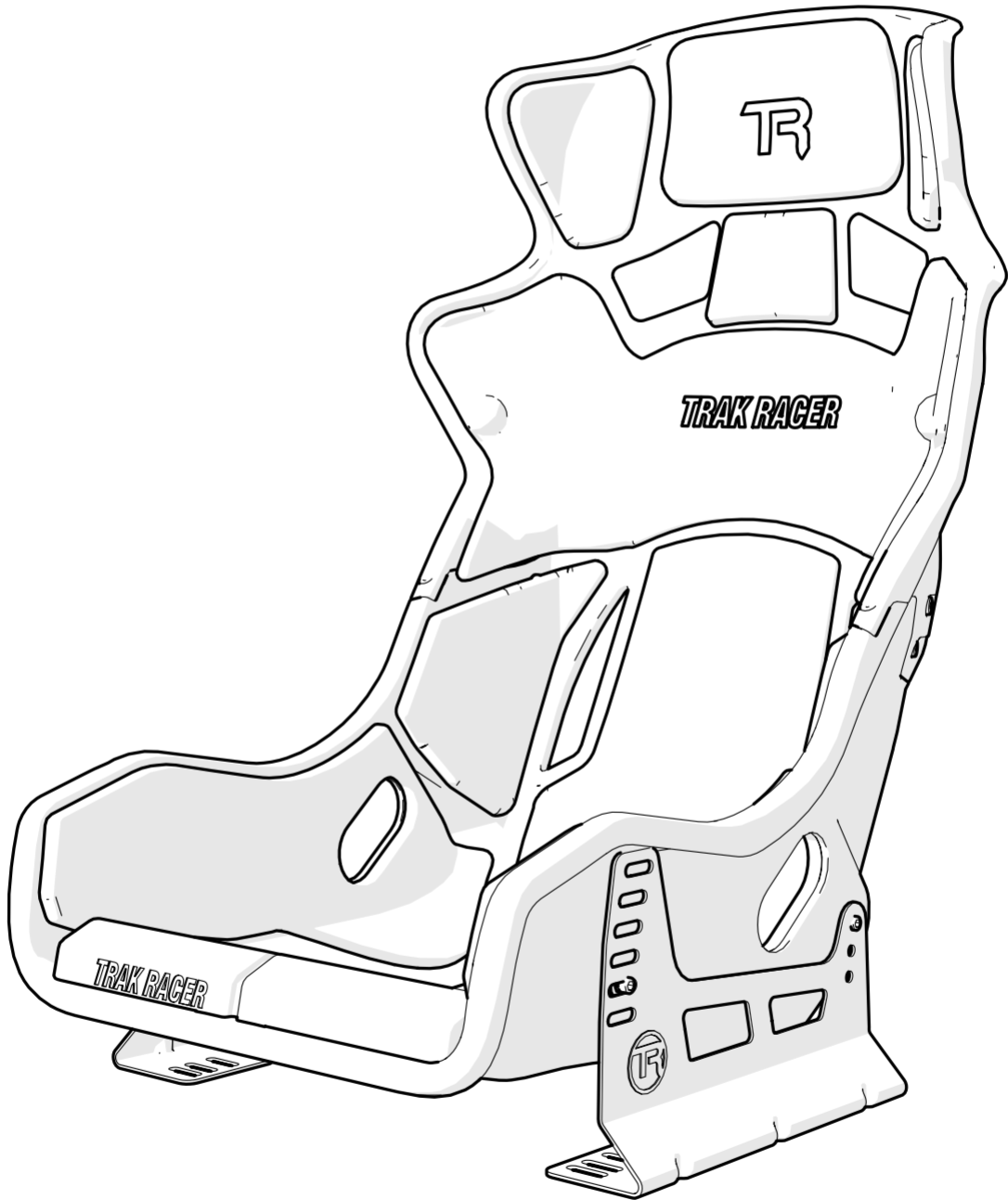
# 2



Slide the slider all the way back to install screws and nuts. Then slide all the way forward and repeat for front screws and nuts.



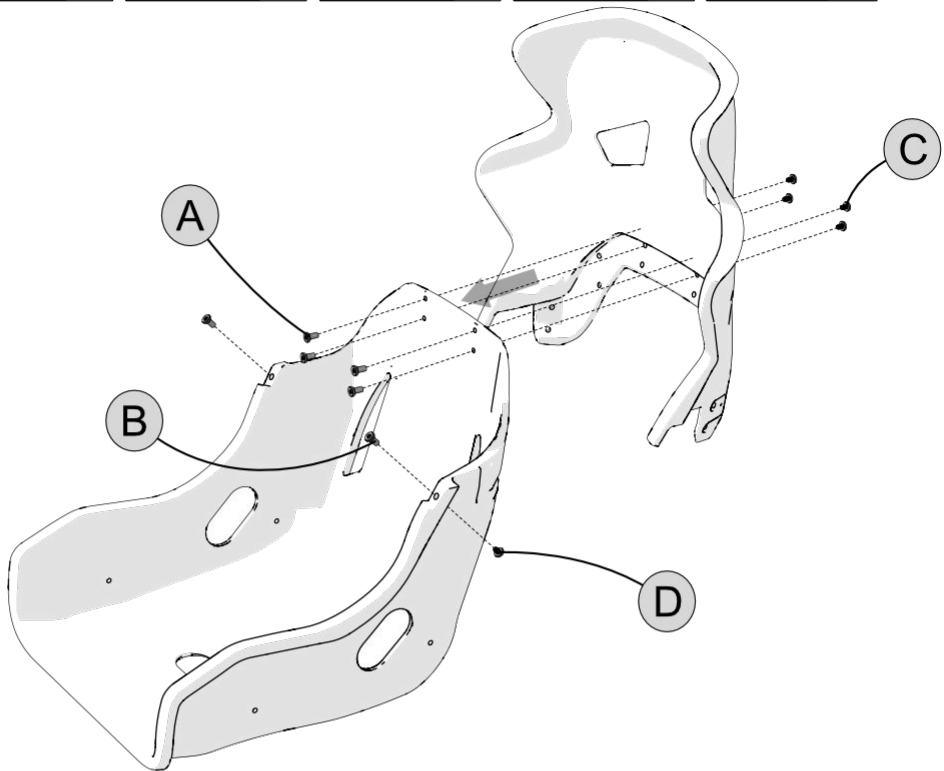
# GT/Rally Seat Assembly



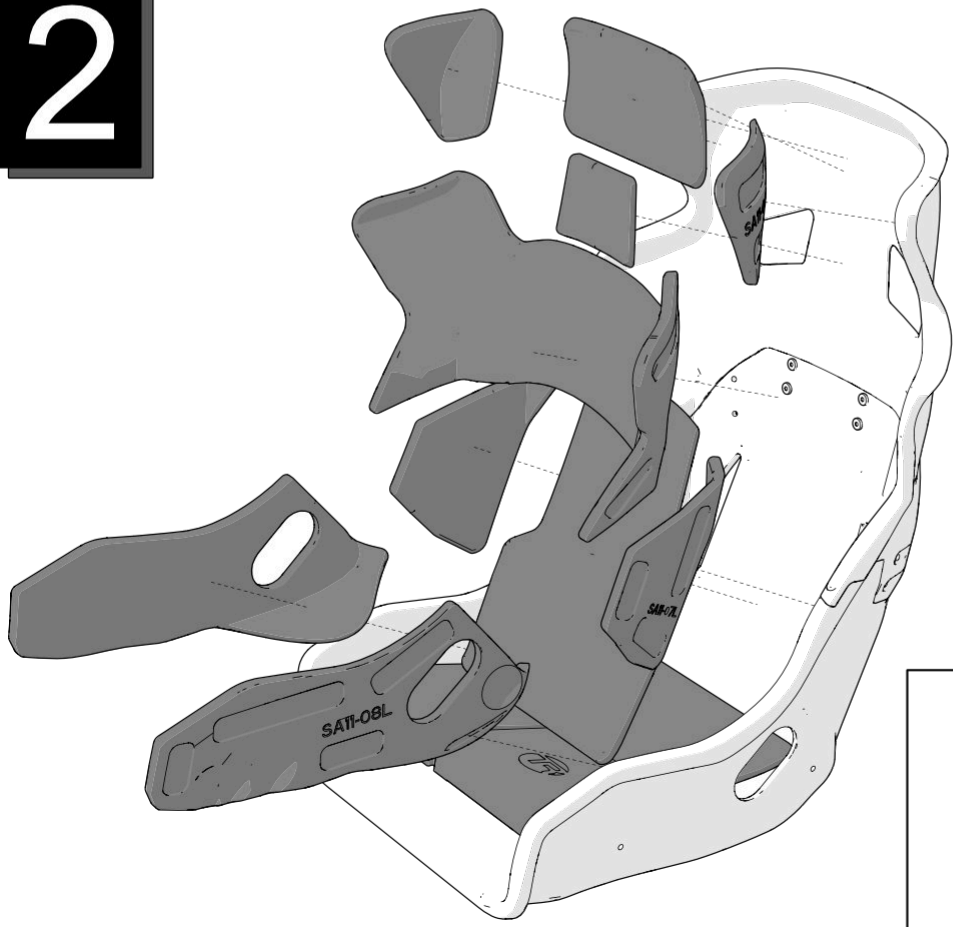
SA-11/SA-12/SA-13

# 1

- A SF-M6-12**  
M6x12mm  
x4
- B SF-M6-20**  
M6x20mm  
x2
- C Short Nut**  
x4
- D Long Nut**  
x2
- E WF-M8-20**  
M8x20mm  
x10

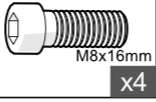


# 2

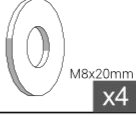


# 3

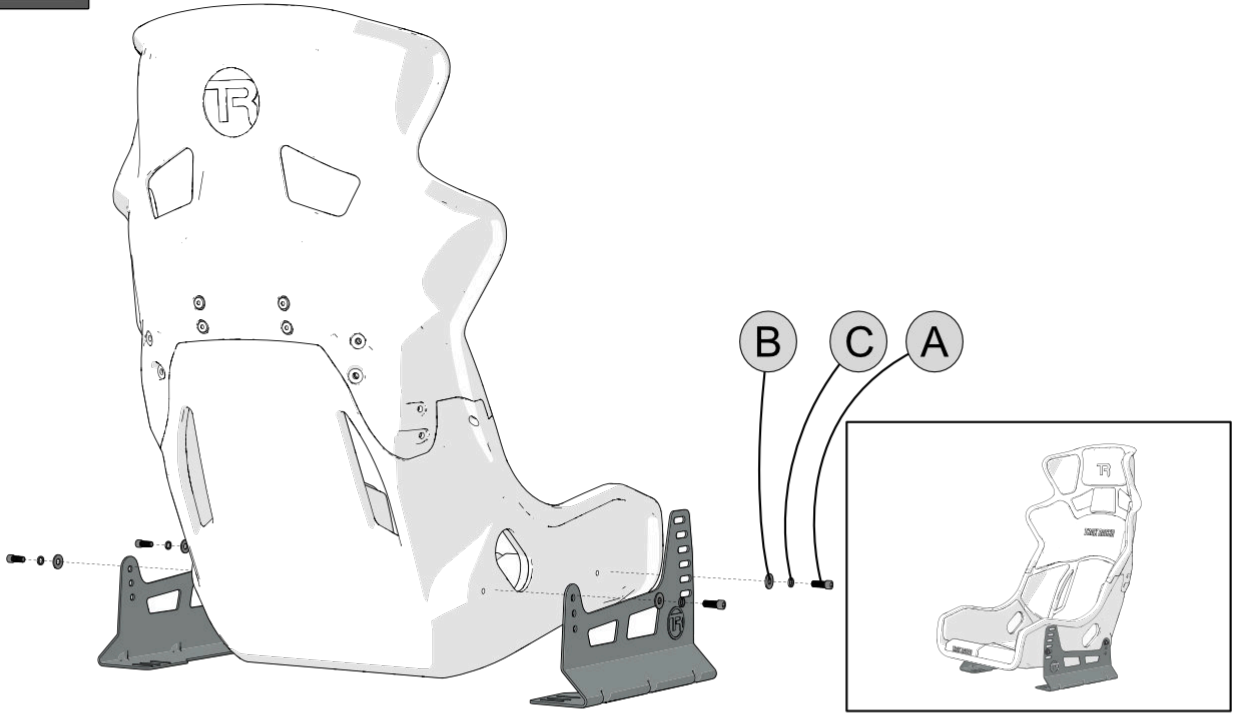
A SH-M8-16



B WF-M8-20

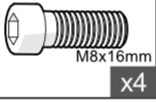


C WL-M8

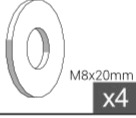


# 4

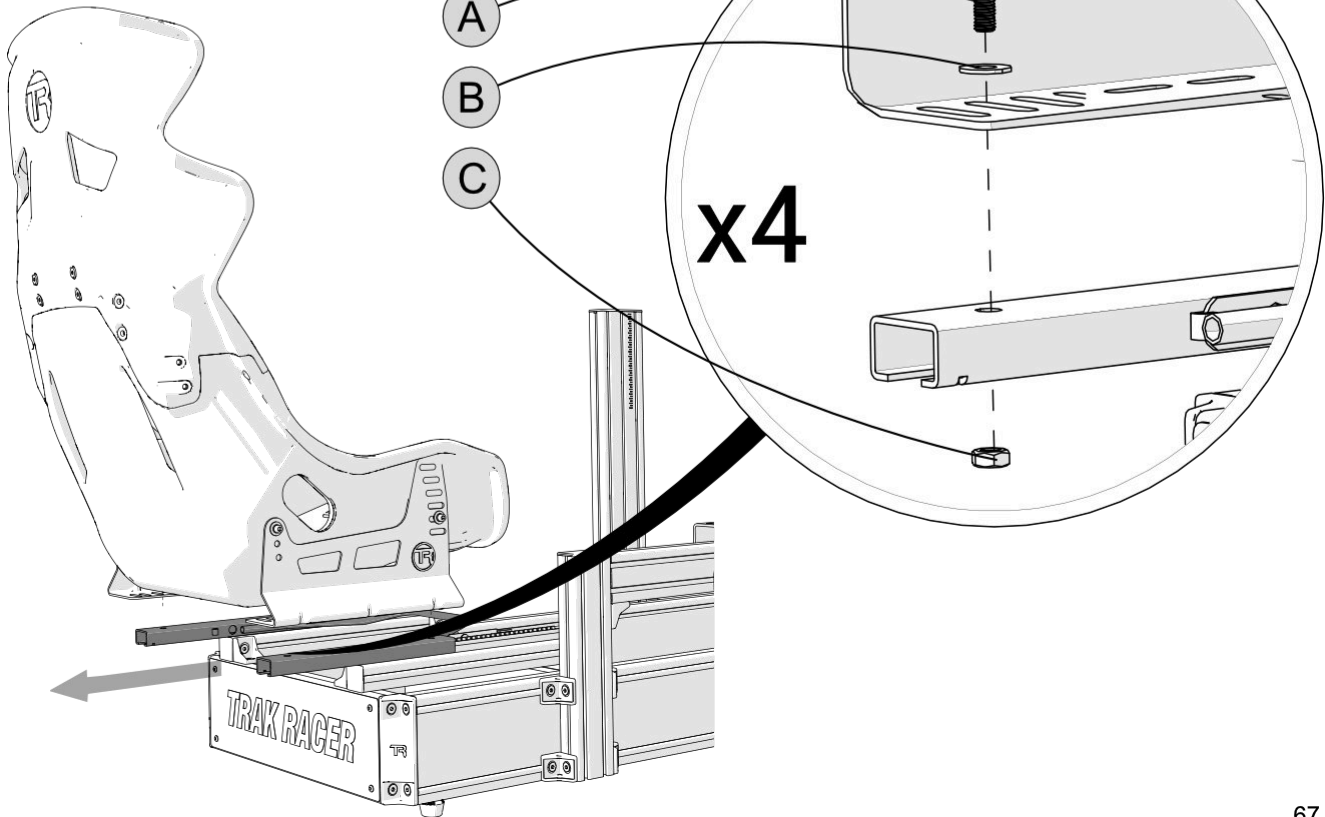
A SH-M8-16



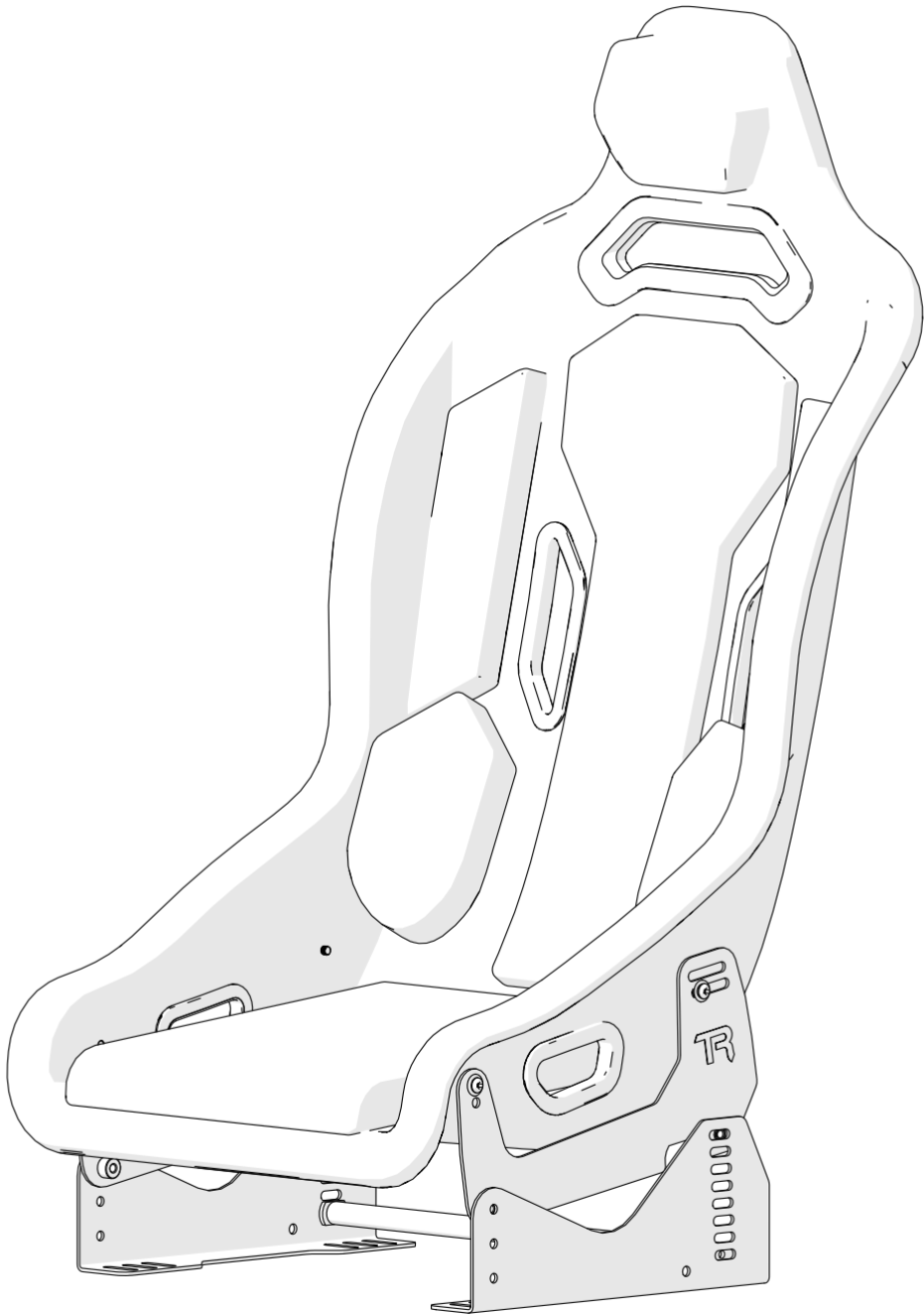
B WF-M8-20



C NL-M8

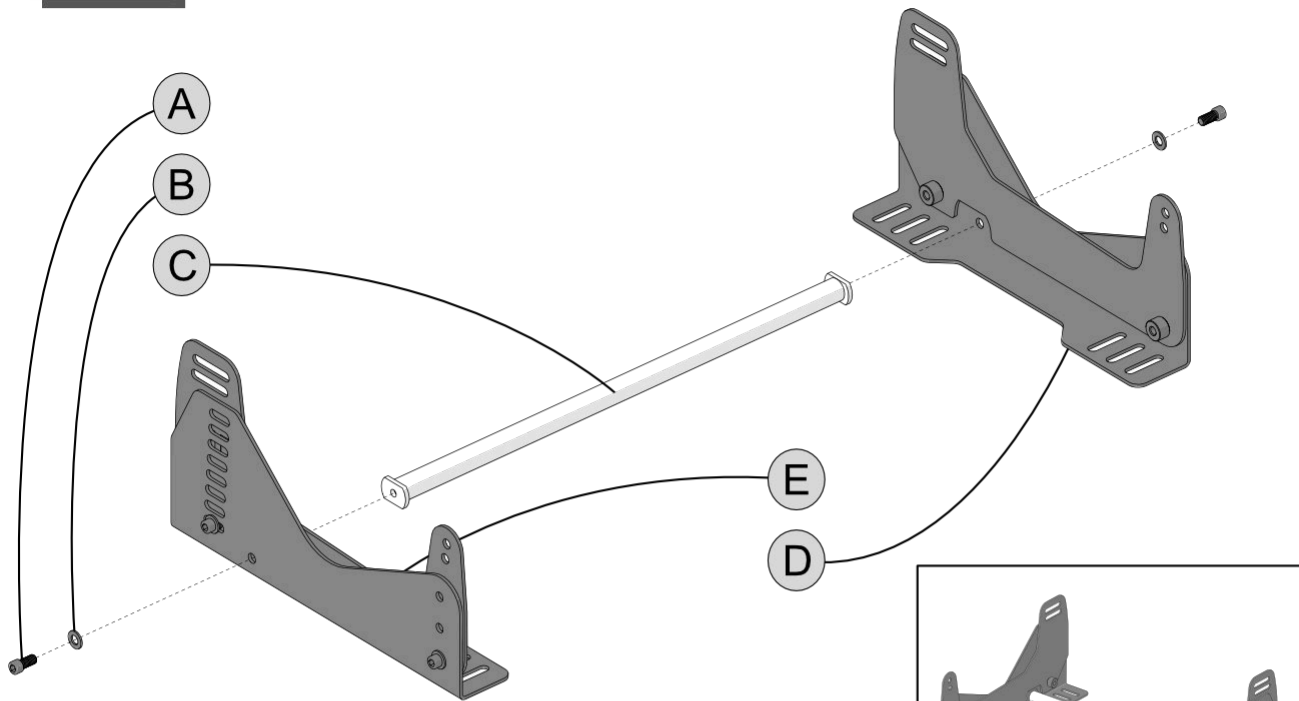
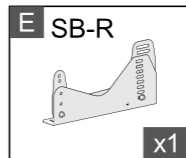
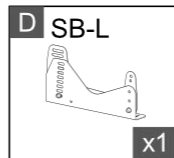
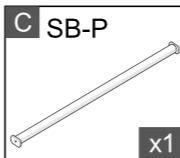
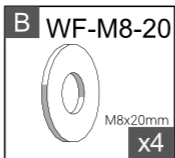
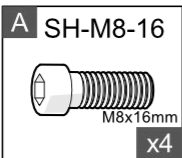


# TRX Seat Assembly With Adjustable Bracket

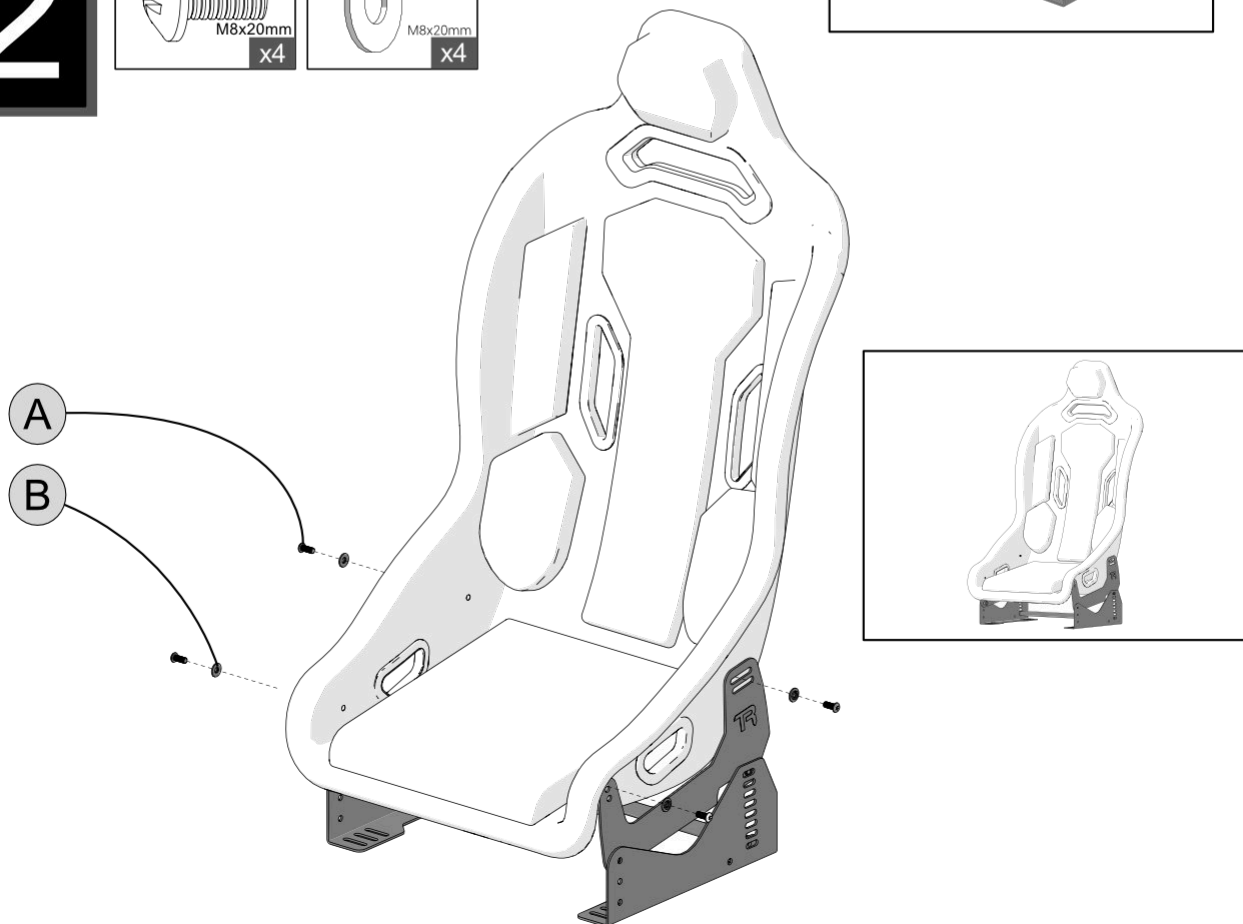
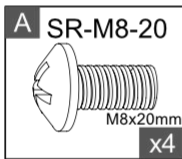


**TRX-SB**

# 1

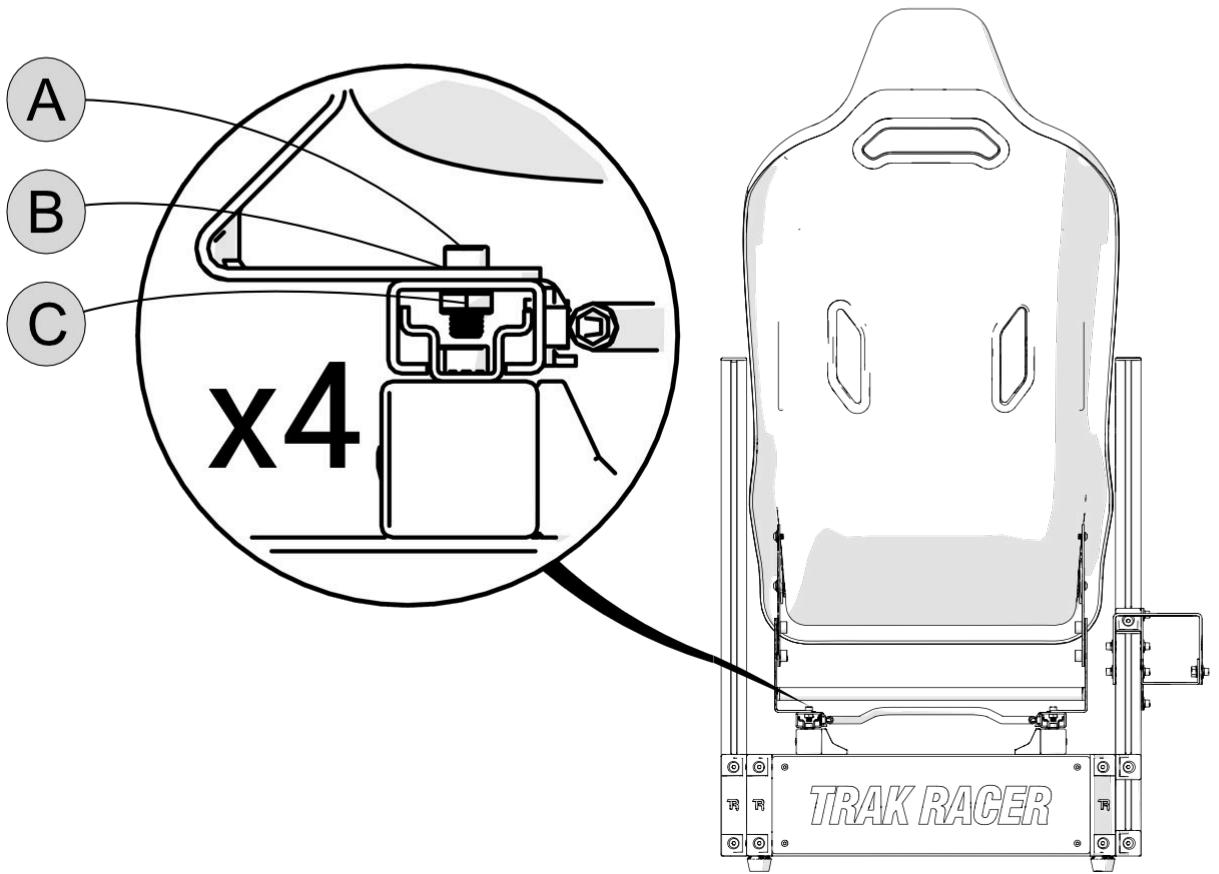
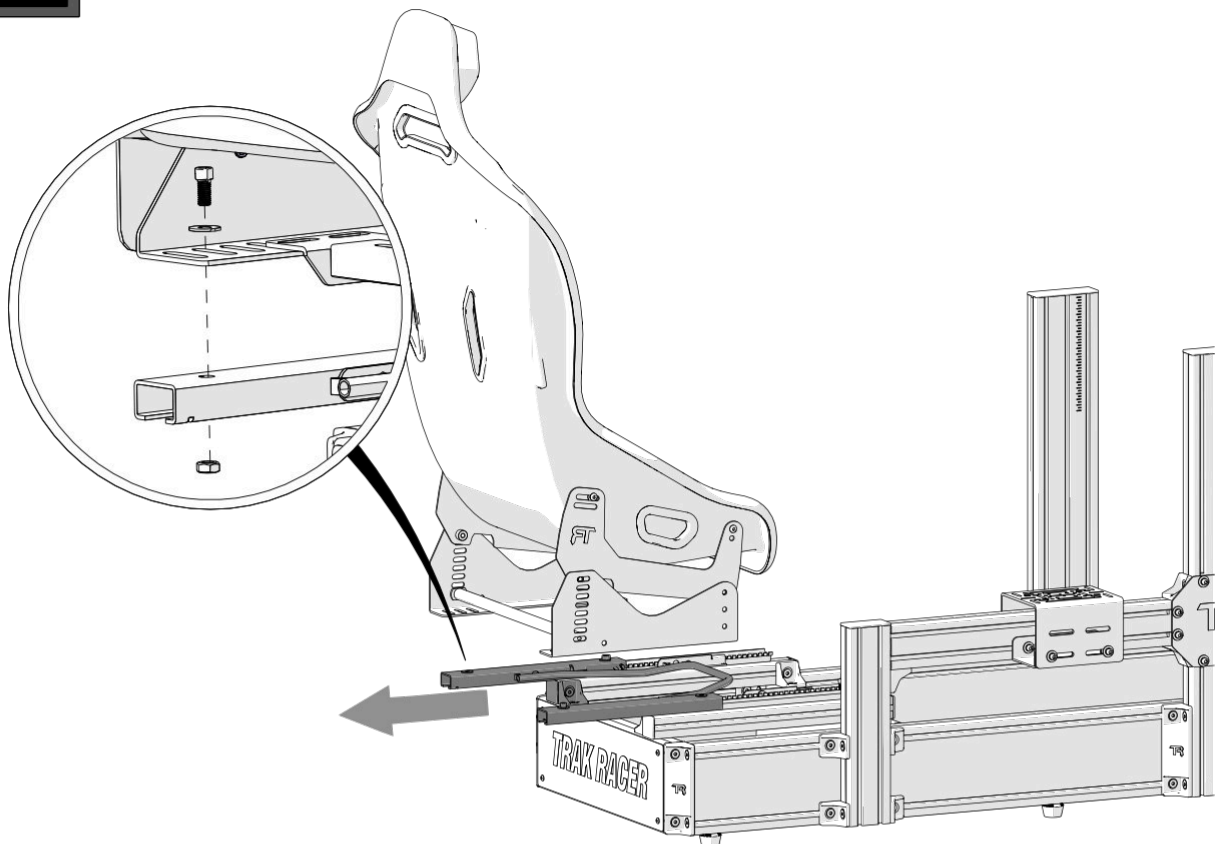


# 2

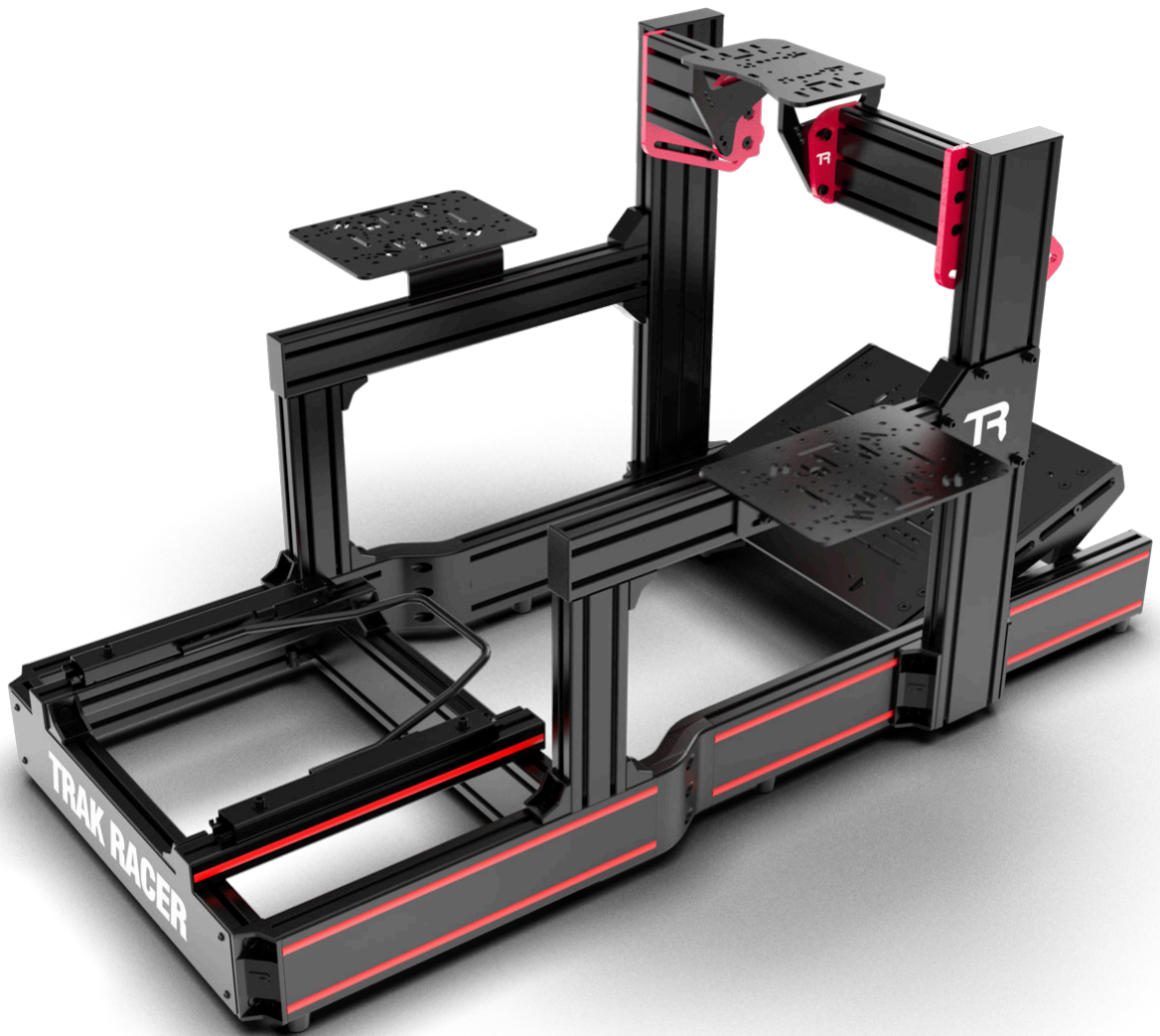


# 3

- A** SH-M8-16  
M8x16mm  
x4
- B** WF-M8-20  
M8x20mm  
x4
- C** NL-M8  
x4



# FINISHED



Share your build online and tag us to be featured!



@trakracer



@trakracer



@trak\_racer