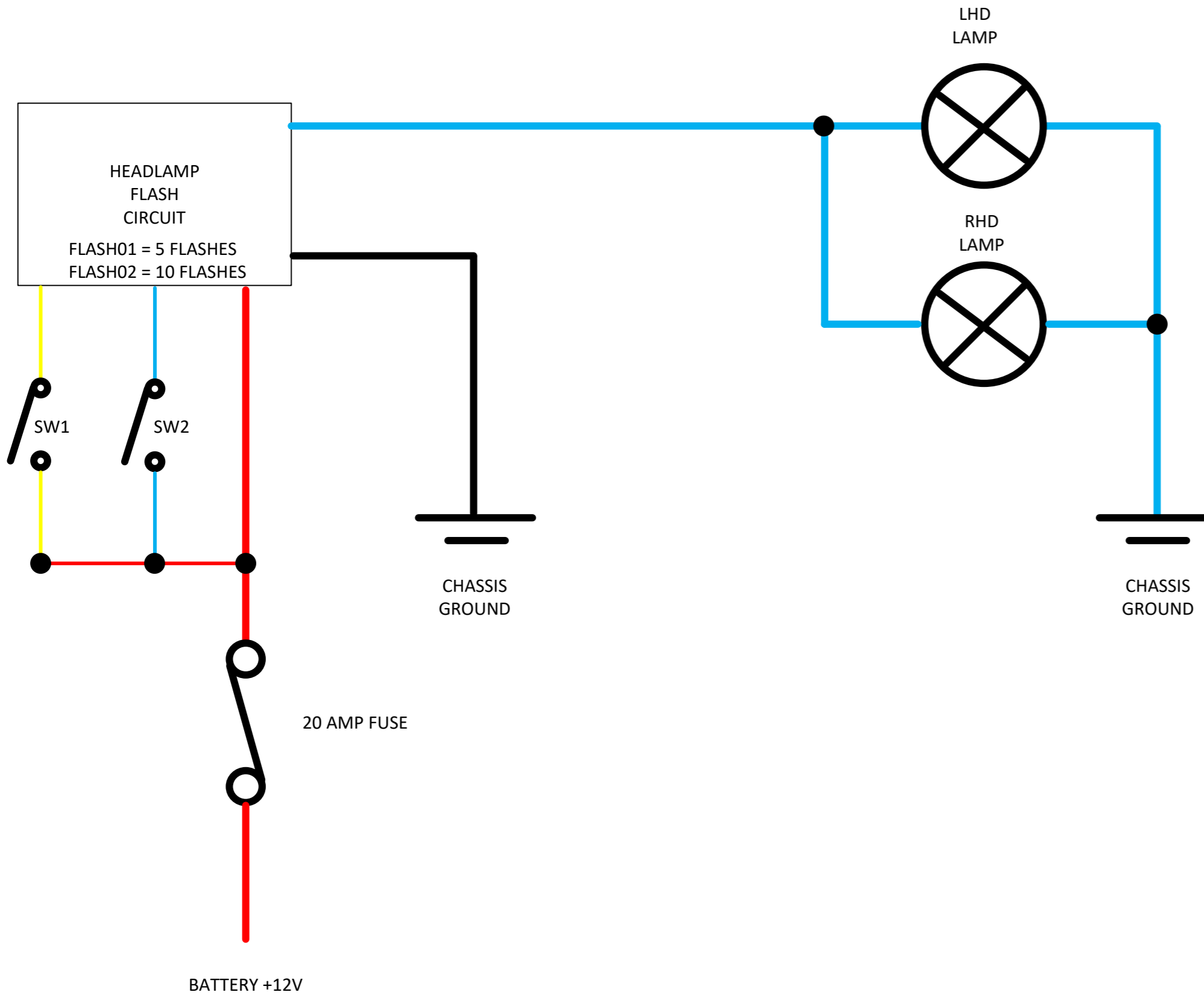


FLASH01 / FLASH02 CONNECTION GUIDE

ELECTRICAL CONNECTIONS



Connect thick red wire to positive 12V supply via 20 amp fuse or circuit breaker.

Connect thick black wire to chassis ground.

SW1 is the flash request switch and should be a momentary, normally open type. Connect this to the thin yellow cable and +12V supply.

SW2 is the lights on switch and should be a latching normally open type. Connect this to the thin blue cable and +12V supply.

The thick blue wire is the output and should be connected to the 2 x headlamp +12V inputs. Both lights can be grounded locally.

Total light rating for the device is 200 Watts

OPERATION

A quick press of the flash request switch will result in 5 or 10 (depending on the unit in use) flashes of the lights in rapid succession

When SW2 is on, the headlamps will be permanently lit. Pressing SW1 at this time will result again in the flashing sequence beginning.