

Ø 355.00mm X 32.00mm
BRAKE DISK

STICK TO CARD THEN
CUT AROUND OUTER
PROFILE

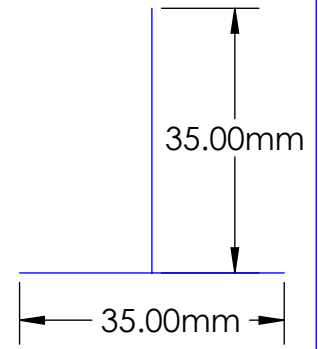
LOCATE WHEEL
SPIGOT IN WHEEL
AND ROTATE,
ENSURE THAT THERE
IS A MINIMUM OF
3mm CLEARANCE
ON ALL EDGES

CALIPER

FLOATING HUB

Ø 70.60mm Ø
WHEEL SPIGOT

CHECK REF DIMS
TO ENSURE THAT
THE DRAWING
HAS PRINTED TO
CORRECT SCALE



REF DIMS

TPL020 - 355 BBK - Ford Mustang GT gen 5

