

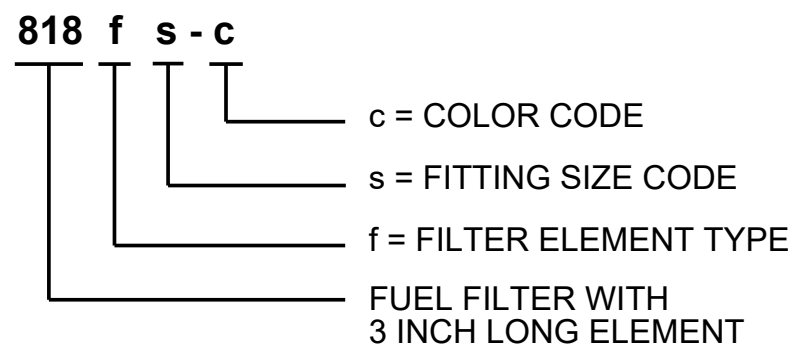
NOTES:

- THIS DRAWING DESCRIBES THE FUELAB 818xx SERIES FUEL FILTER.
- FEATURES INCLUDE:
 - TWO INTEGRATED MALE AN FITTING ENDS (ON EITHER SIDE OF FILTER)
 - AVAILABLE IN FOUR (4) FITTING SIZES FOR BOTH ENDS
 - AVAILABLE WITH FOUR (4) ELEMENT TYPES
 - BILLET ALUMINUM CONSTRUCTION WITH FLUOROSILICONE SEALS.
 - 200 GPH FLOW RATING.
- FUEL COMPATIBILITY INCLUDES:
 - GASOLINE (PUMP OR RACE)
 - METHANOL
 - ETHANOL (INCLUDING E85)
 - DIESEL

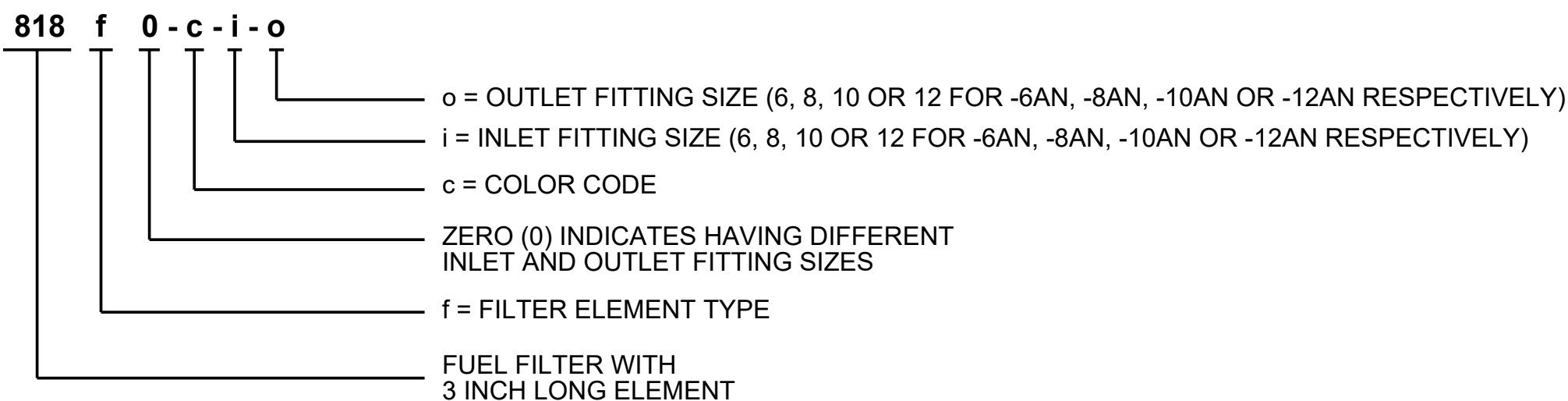
SPECIAL NOTE: CELLULOSE ELEMENTS HAVE COMPATIBILITY WITH GASOLINE (PUMP OR RACE) AND DIESEL FUELS ONLY!
- UNIQUE SERIAL NUMBER DOES NOT CONTAIN DIRECT INFORMATION IN DETERMINING MODEL NUMBER. CONTACT FUELAB FOR DETERMINATION OF MODEL NUMBER BASED ON SERIAL NUMBER.
- SADDLE CLAMP AND INSTRUCTIONS INCLUDED, BAGGED SEPARATELY FROM FILTER.
- REFERENCE DRAWING 1080201A1 FOR ASSEMBLY INSTRUCTIONS.
- SEE TABLES BELOW FOR DETERMINATION OF DESIRED MODEL NUMBER.

MODEL NUMBER SCHEME:

HAVING SAME INLET AND OUTLET FITTING SIZES:



HAVING DIFFERENT INLET AND OUTLET FITTING SIZES:



COLOR CODE, c

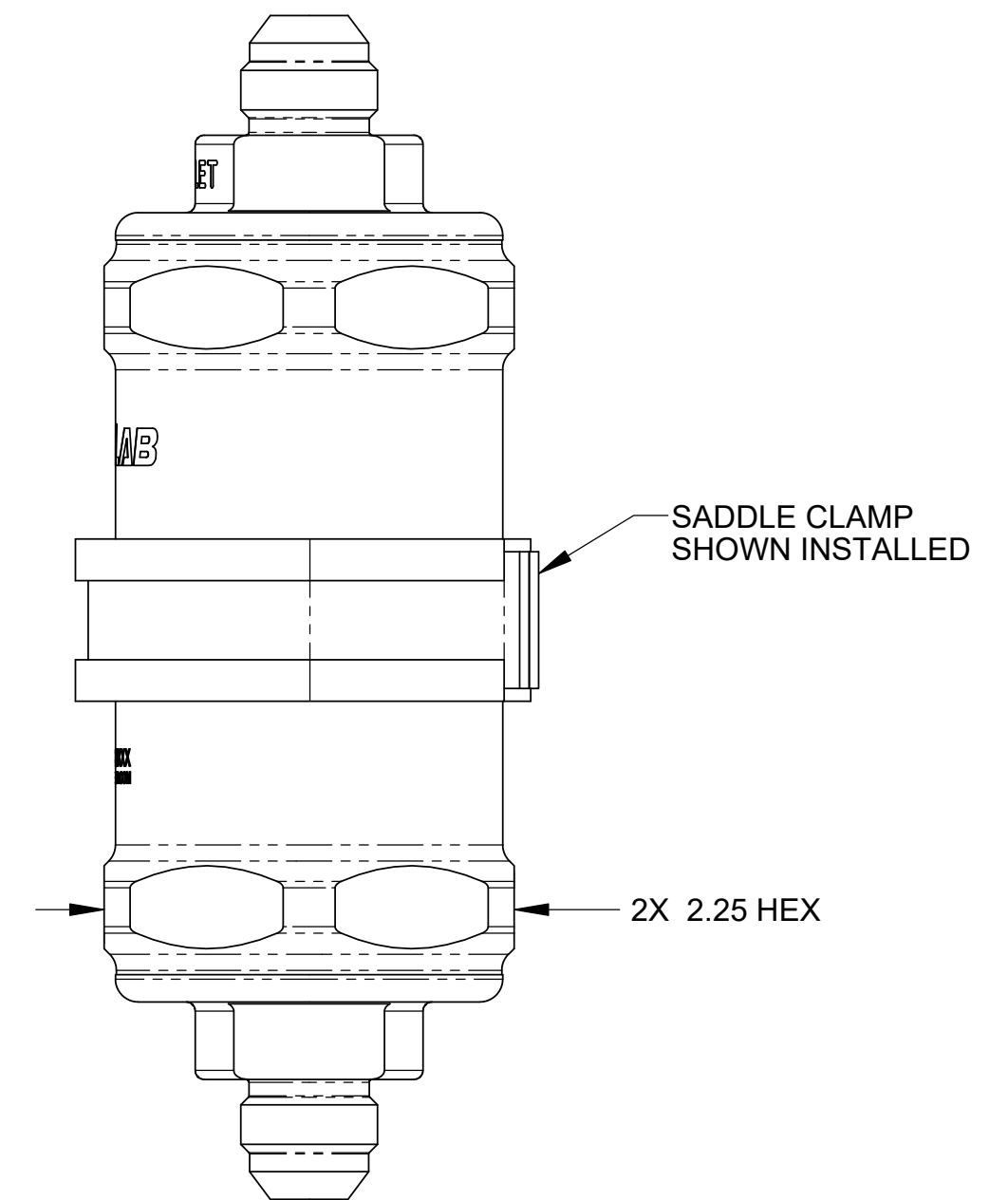
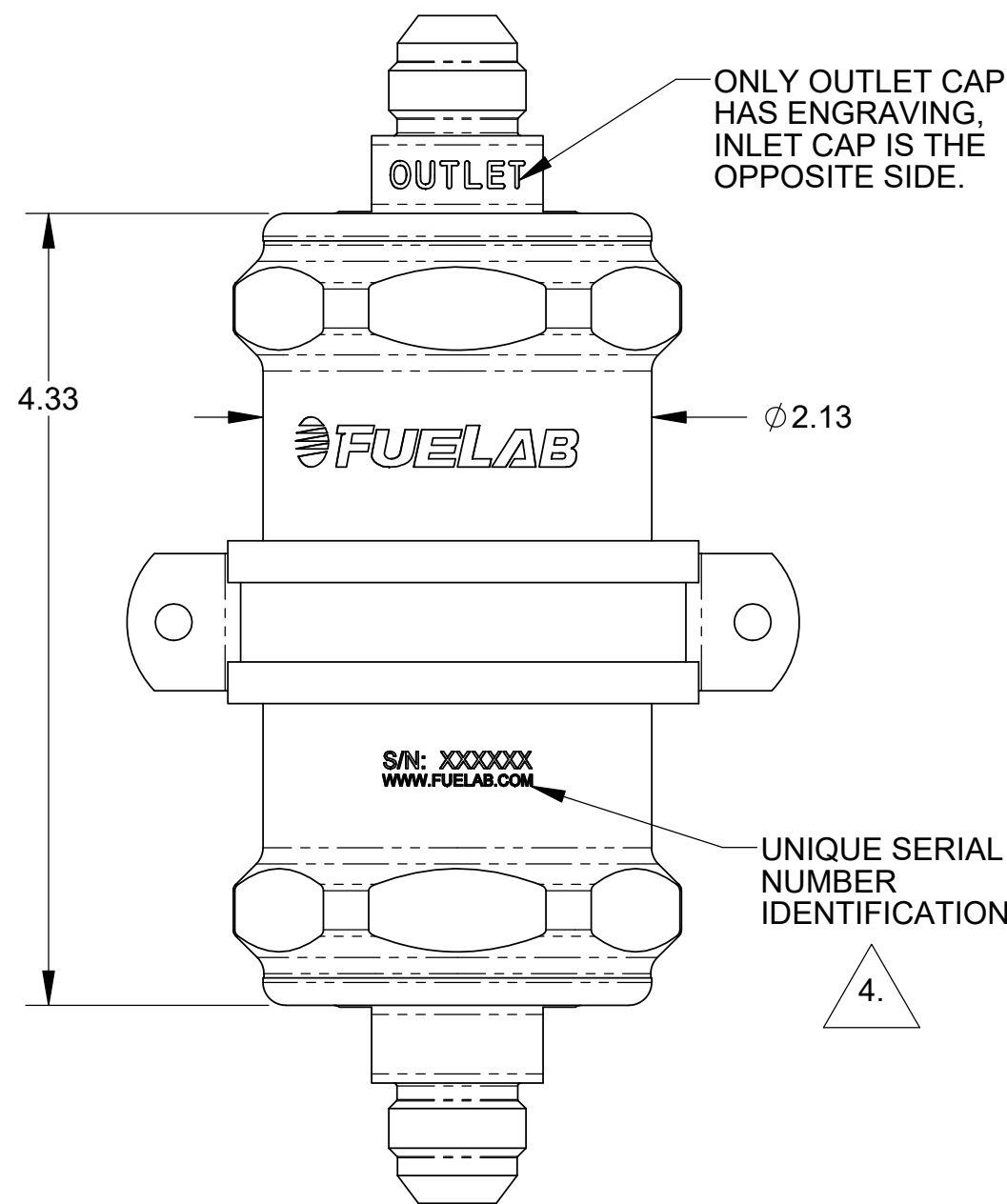
C	CODE	BODY COLOR
1	BLACK	BLACK
2	RED	CLEAR
3	BLUE	CLEAR
4	PURPLE	CLEAR
5	GOLD	BLACK
6	GREEN	CLEAR

FITTING SIZE CODE, s

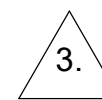
S	CODE
0	CUSTOM, ADD -I-O TO MODEL
1	-6 AN
2	-8 AN
3	-10 AN
4	-12 AN

FILTER ELEMENT TYPE, f

C	MATERIAL	MICRON RATING
0	CELLULOSE (PAPER)	10μ RELATIVE
1	STAINLESS STEEL	40μ RELATIVE
2	STAINLESS STEEL	100μ RELATIVE
3	MICRO-FIBERGLASS	6μ ABSOLUTE



MODEL 81802-1 SHOWN ABOVE AS EXAMPLE



UNLESS OTHERWISE SPECIFIED:
 INTERPRET DWG PER ANSI Y14.5
 DIMENSIONS ARE IN INCHES
 TOLERANCES:
 FRACTIONAL: ±1/64"
 ANGULAR: ±1/2°
 DECIMALS:
 X±1 .XX±.03 .XXX±.010
 SURFACE FINISH: 128 OR BETTER
 BREAK ALL SHARP EDGES .010 MAX
 REMOVE ALL BURRS

THIRD ANGLE PROJECTION

DO NOT SCALE DRAWING

FUELAB
 DIGITAL FUEL DELIVERY
 Collinsville, Illinois

TITLE:
FILTER, 818xx SERIES

SIZE	DWG. NO.	REV
C	108020100	B

SCALE: 1/1 WEIGHT: .85 LB SHEET: 1 OF 1